

REVISIONS					
P	LTR	DESCRIPTION	DATE	DWN	APVD
AA1		ECO-21-006679	16JUN2021	RK	AS

- FOR ADDITIONAL SPECIFICATIONS SEE AMP PRODUCT SPEC 108-7519.
- SWITCH HAS MAKE-BEFORE-BREAK OPERATION.
- ALL CHARACTERS AND ROCKERS ARE WHITE, HOUSING IS BLACK.
- LASER MARK WILL VARY ON 2 POSITION SIDES DUE TO SPACE RESTRICTIONS.
- $\triangle 5$.315 DIMENSION APPLIES AT TERMINAL TIPS. TERMINALS ARE $.300 \begin{smallmatrix} +.010 \\ -.000 \end{smallmatrix}$ AT MOUNTING SURFACE.
- SWITCH POSITIONS ARE CLOSED WHEN ROCKERS ARE DOWN TOWARD DOTS.
- $\triangle 7$ ALL MATERIALS AND FINISHES SHALL COMPLY WITH EU DIRECTIVE 2002/95/EC OF 27JAN2003 (ROHS).
- $\triangle 8$ OBSOLETE PARTS: OBSOLETE CIS STREAMLINING PER D.RENAUD/D.SINISI
- MARKS WILL BE ADDED BY LASER MARK PROCESS.

	FIG 1	FIG 3	.48	DPDT	4	8-435470-1 $\triangle 8$
OBSOLETE	-FIG 1	AS SHOWN	1.28	SPDT	12	7-435470-6 $\triangle 8$
	-FIG 1	AS SHOWN	1.08	SPDT	10	7-435470-5 $\triangle 8$
	-FIG 1	AS SHOWN	.88	SPDT	8	7-435470-4 $\triangle 8$
	-FIG 1	AS SHOWN	.48	SPDT	4	7-435470-2 $\triangle 8$
	FIG 1	FIG 4	.28	SPDT	2	7-435470-1 $\triangle 8$
$\triangle 8$ OBSOLETE	AS SHOWN	FIG 2	.88	DPDT	8	5-435470-9 $\triangle 8$
	AS SHOWN	FIG 4	.28	SPDT	2	5-435470-7 $\triangle 8$
	AS SHOWN	FIG 3	.48	DPDT	4	5-435470-5 $\triangle 8$
	AS SHOWN	AS SHOWN	.88	SPDT	8	5-435470-3 $\triangle 8$
	AS SHOWN	AS SHOWN	.68	SPDT	6	5-435470-2 $\triangle 8$
	AS SHOWN	AS SHOWN	.48	SPDT	4	5-435470-1 $\triangle 8$
OBSOLETE	FIG 1	FIG 2	1.28	DPDT	12	3-435470-3
SUPERSEDED BY 435470-9	FIG 1	FIG 2	.88	DPDT	8	3-435470-2
	FIG 1	FIG 3	.48	DPDT	4	3-435470-1
OBSOLETE	FIG 1	NONE	.88	SPDT	8	2-435470-7
$\triangle 8$ OBSOLETE	-FIG 1	AS SHOWN	1.28	SPDT	12	2-435470-6
	-FIG 1	AS SHOWN	1.08	SPDT	10	2-435470-5
	FIG 1	AS SHOWN	.88	SPDT	8	2-435470-4
OBSOLETE	FIG 1	AS SHOWN	.68	SPDT	6	2-435470-3
$\triangle 8$ OBSOLETE	-FIG 1	AS SHOWN	.48	SPDT	4	2-435470-2
	-FIG 1	FIG 4	.28	SPDT	2	2-435470-1
	AS SHOWN	FIG 2	.88	DPDT	8	435470-9
SUPERSEDED BY 2-435470-6	AS SHOWN	AS SHOWN	1.28	SPDT	12	435470-8
	AS SHOWN	FIG 4	.28	SPDT	2	435470-7
	AS SHOWN	FIG 3	.48	DPDT	4	435470-5
SUPERSEDED BY 2-435470-5	AS SHOWN	AS SHOWN	1.08	SPDT	10	435470-4
	AS SHOWN	AS SHOWN	.88	SPDT	8	435470-3
	AS SHOWN	AS SHOWN	.68	SPDT	6	435470-2
435470-3 SHOWN	$\triangle 8$ OBSOLETE	AS SHOWN	.48	SPDT	4	435470-1

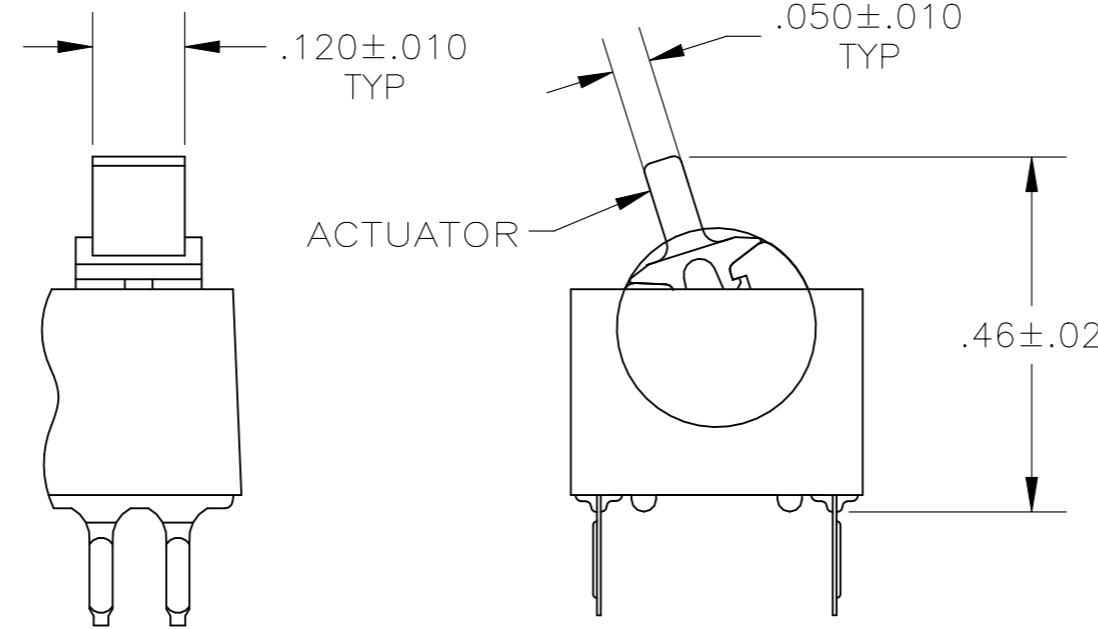
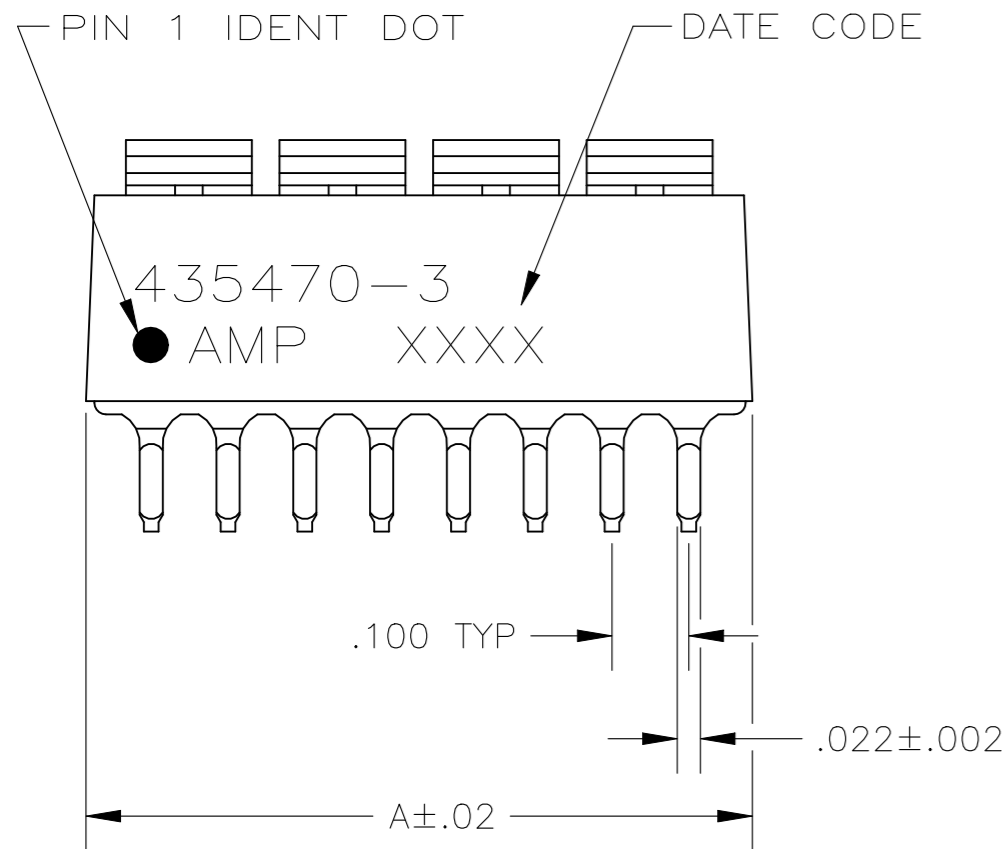
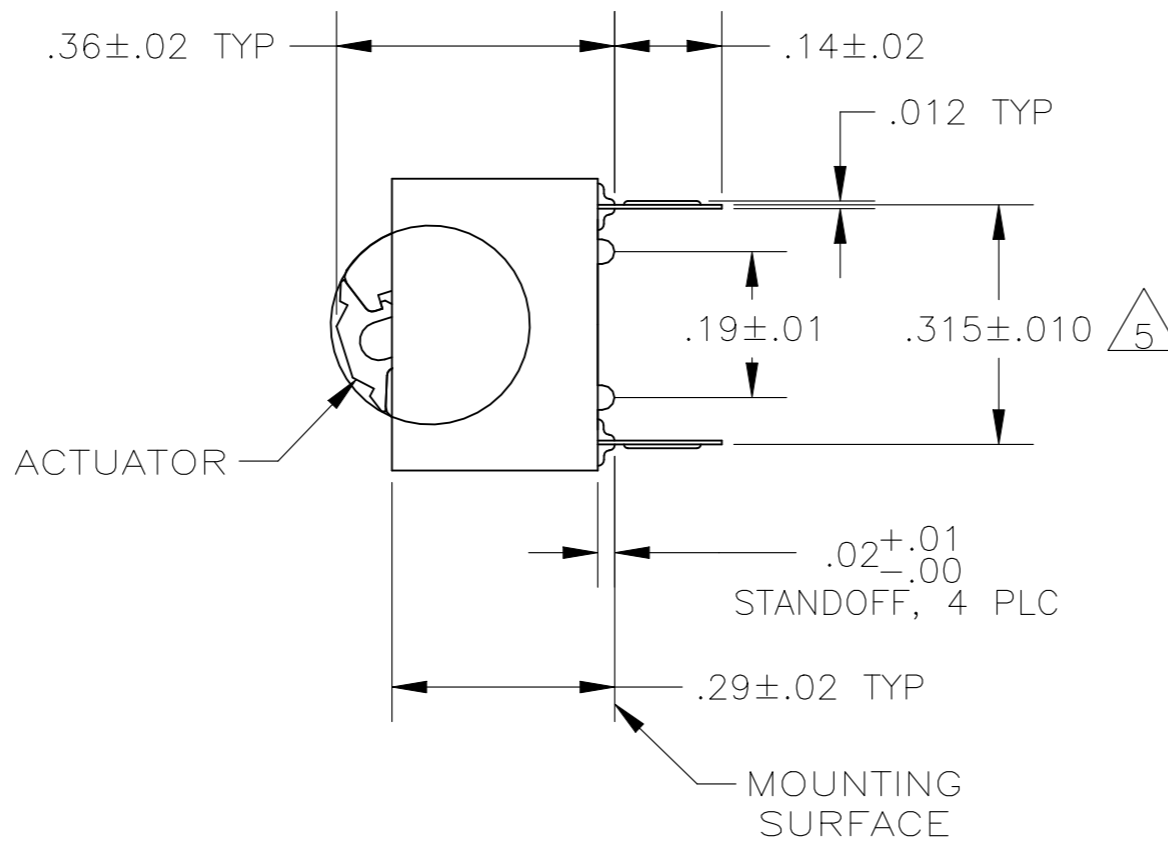
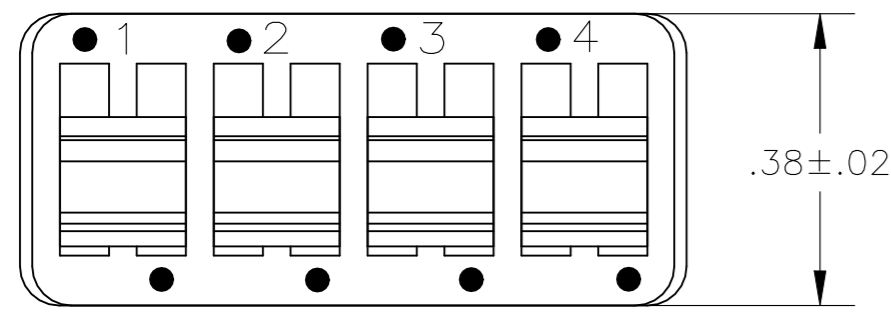


FIGURE 1 LEVER ACTUATOR SHOWN

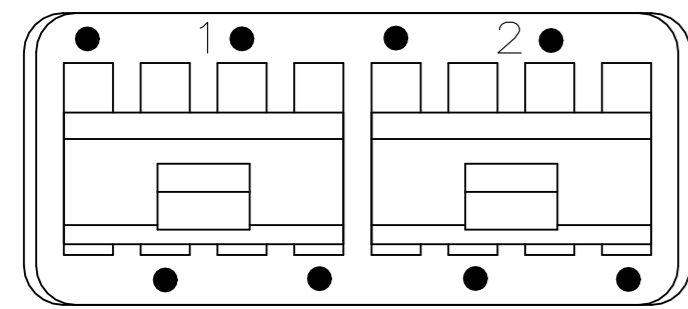


FIGURE 2

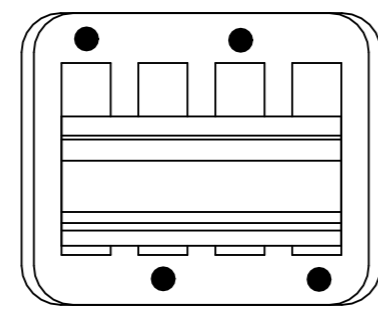


FIGURE 3

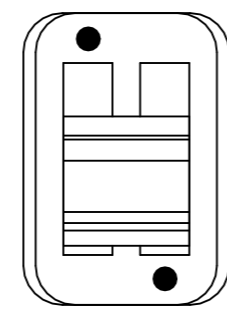
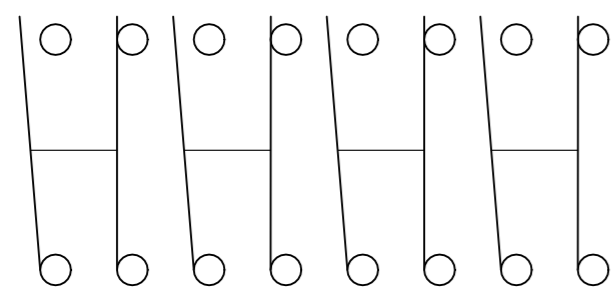
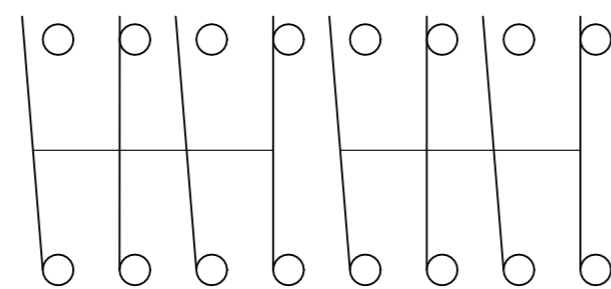


FIGURE 4



SPDT



DPDT

CONTACT ARRANGEMENT

THIS DRAWING IS A CONTROLLED DOCUMENT.

DWN	R.TALLEY	15MAR90
CHK	R.MILLER	27MAR90
APVD	H.LEITER	27MAR90
PRODUCT SPEC		
APPLICATION SPEC		
WEIGHT	-	

TE Connectivity

SWITCH ASSY, DIP, TYPE C, 7000 SERIES, SPDT & DPDT

SCALE: 4:1 SHEET: 1 OF 1 REV: AA1

X-ON Electronics

Largest Supplier of Electrical and Electronic Components

Click to view similar products for [DIP Switches/SIP Switches](#) category:

Click to view products by [TE Connectivity](#) manufacturer:

Other Similar products are found below :

[78M03S](#) [79B10T](#) [8136-475G4T](#) [G7G-1A2-CB-DC12](#) [H7CZL8AC100240](#) [A7SS-M](#) [A8CA-201](#) [DRR60016](#) [DRS4016](#) [1825008-1](#) [1825444-1](#) [25.350.0653.0](#) [SBS 5004 TG](#) [SDA10H1BDA](#) [97R06ST](#) [A2C-2A5](#) [1825444-7](#) [ADE08SA04](#) [ADE12S04](#) [192960010](#) [2-1825058-8](#) [25.330.0653.1](#) [25.352.0353.0](#) [CXDRIVEV2X](#) [IKN0600000](#) [IKN0800000](#) [LA2-002-DC24](#) [DBS1003](#) [438872000](#) [DRD10CRAE04](#) [DSR02T](#) [DSS 208 N](#) [E2FMX2D1M1TGJ03M](#) [NDI10H](#) [219-9MSTP](#) [204-6ES](#) [EPM02FV](#) [701521596](#) [NDS08V](#) [76SB05](#) [79A10](#) [TD06H0SK1](#) [Z7.255.9027.0](#) [1-1825058-3](#) [1825428-4](#) [219-10LPSTF](#) [E3ZG6111D03M](#) [G4D212PUSTV2DC5](#) [195-7MSTN](#) [NDI05H](#)