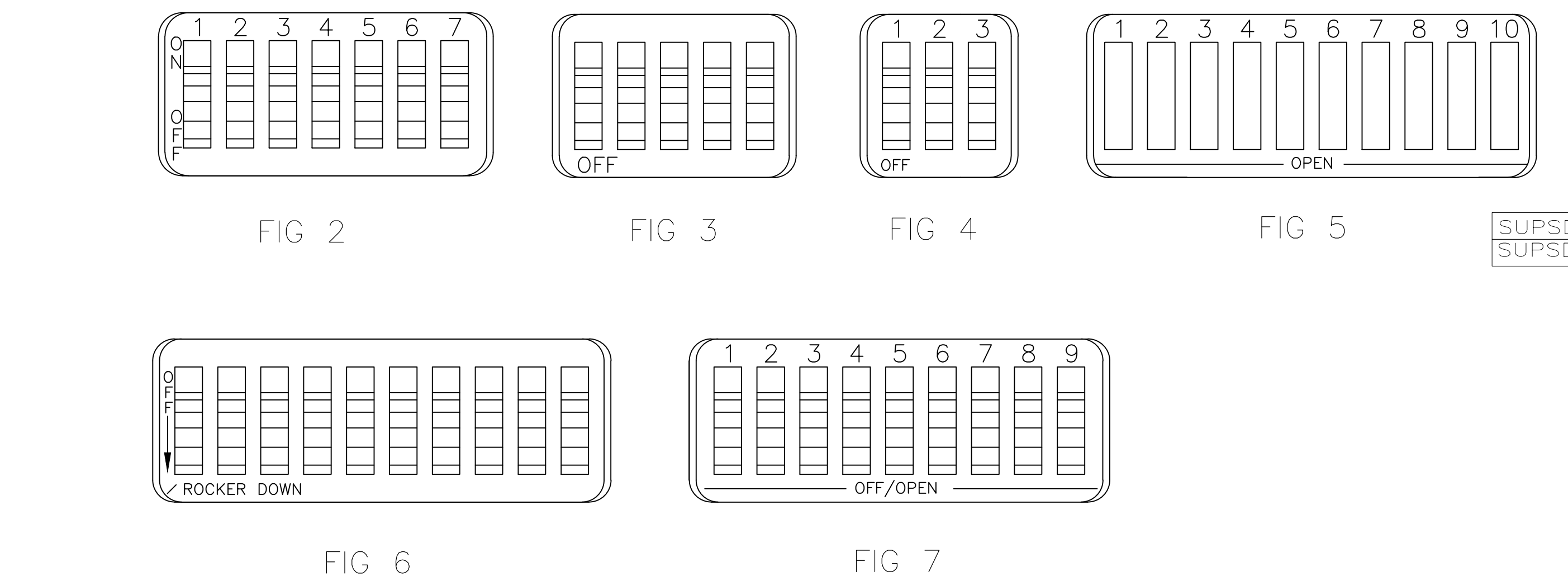
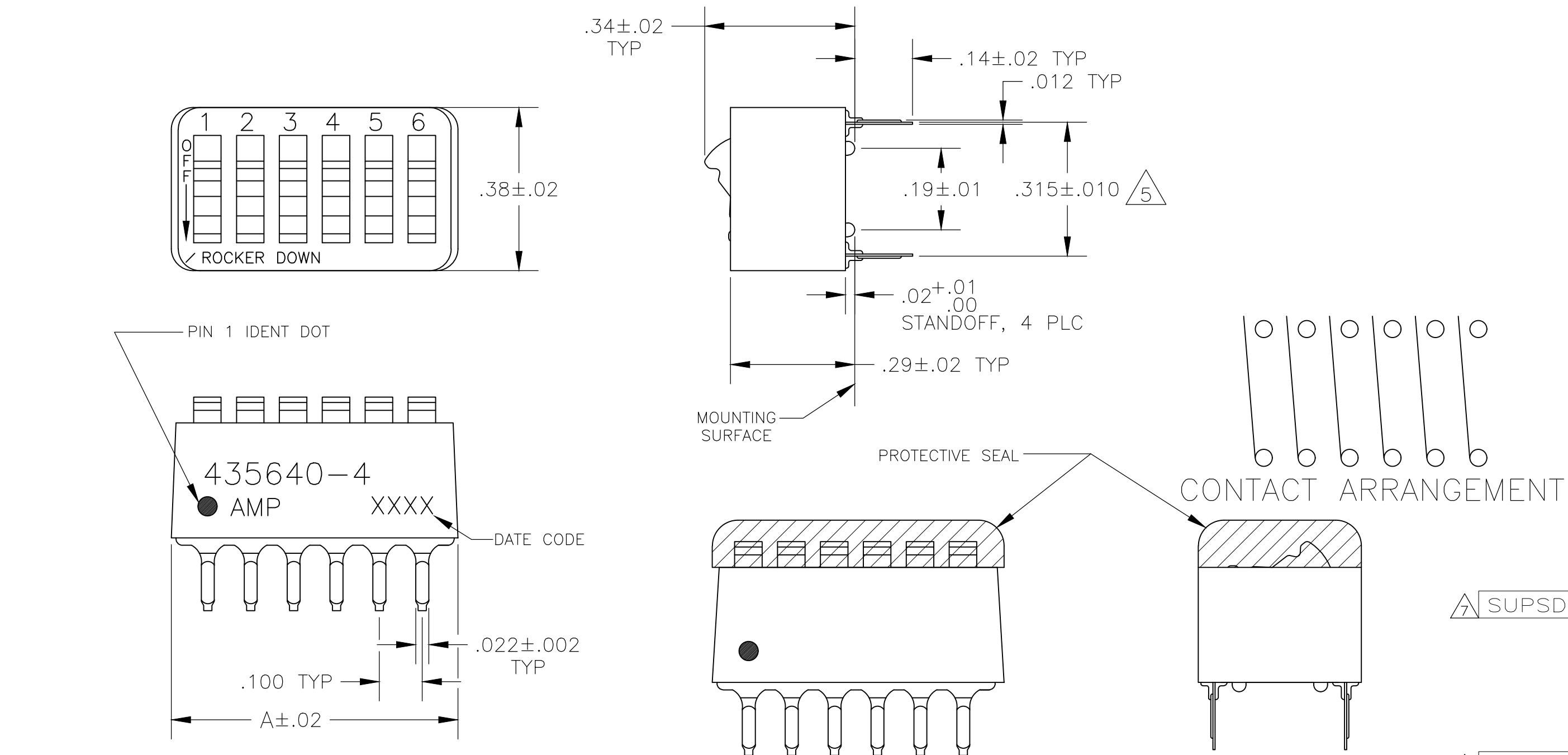


P	LTR	DESCRIPTION	DATE	DWN	APVD
AN		ECO-20-004897	24AUG2020	SB	KJ

1. FOR ADDITIONAL SPECIFICATIONS SEE AMP PRODUCT SPEC 108-7532.
2. SWITCH SHOWN IN OPEN POSITION.
3. ALL CHARACTERS AND ROCKERS ARE WHITE, HOUSING IS BLUE.
4. LASER MARKING WILL VARY ON 2 AND 3 POSITION SIDES DUE TO SPACE RESTRICTIONS.

- 5. .315 DIMENSION APPLIES AT TERMINAL TIPS. TERMINALS ARE $.300^{+.010}$ -.000 AT MOUNTING SURFACE.
- 6. STRIPPABLE TRANSPARENT SEAL, SEE FIG 1.

FIG	DESCRIPTION	NO OF POSN	TERMINAL	TERMINAL	TERMINAL
7	OBSOLETE	FIG 6	1-10	10	6-435640-1
	OBSOLETE	FIG 7	5	5	6-435640-0
	OBSOLETE	FIG 5	4	4	5-435640-9
	OBSOLETE	FIG 5	8	8	5-435640-8
	OBSOLETE	FIG 5	9	9	5-435640-7
	OBSOLETE	FIG 5	6	6	5-435640-6
	OBSOLETE	FIG 5	5	5	5-435640-5
	OBSOLETE	FIG 5	4	4	5-435640-4
	OBSOLETE	FIG 2	8	8	5-435640-3
	OBSOLETE	FIG 5	8	8	5-435640-2
	OBSOLETE	FIG 3	8	8	5-435640-0
	OBSOLETE	FIG 3	8	8	4-435640-9
	OBSOLETE	FIG 3	5	5	4-435640-8
	OBSOLETE	NONE	10	10	4-435640-7
	OBSOLETE	AS SHOWN	12	12	4-435640-3
	OBSOLETE	AS SHOWN	10	10	4-435640-1
	OBSOLETE	AS SHOWN	9	9	4-435640-0
	OBSOLETE	AS SHOWN	8	8	3-435640-9
	OBSOLETE	AS SHOWN	7	7	3-435640-8
	OBSOLETE	AS SHOWN	6	6	3-435640-7
	OBSOLETE	AS SHOWN	5	5	3-435640-6
	OBSOLETE	AS SHOWN	4	4	3-435640-5
	OBSOLETE	AS SHOWN	3	3	3-435640-4
	OBSOLETE	AS SHOWN	2	2	3-435640-3
	OBSOLETE	AS SHOWN	12	12	3-435640-2
	OBSOLETE	AS SHOWN	3	3	3-435640-0
	OBSOLETE	AS SHOWN	2	2	2-435640-9
	OBSOLETE	AS SHOWN	7	7	2-435640-2
	OBSOLETE	AS SHOWN	10	10	435640-7
	OBSOLETE	AS SHOWN	9	9	435640-6
	OBSOLETE	AS SHOWN	8	8	435640-5
	OBSOLETE	AS SHOWN	6	6	435640-4
	OBSOLETE	AS SHOWN	5	5	435640-3
	OBSOLETE	AS SHOWN	4	4	435640-2
	OBSOLETE	AS SHOWN	7	7	435640-1
	OBSOLETE	TOP MARKING	A	NO OF POSN	PART NO.



7 OBSOLETE PARTS: OBSOLETE CIS STREAMLINING PER D.RENAUD/D.SINISI

8 MARKS WILL BE ADDED BY LASER MARK PROCESS.

THIS DRAWING IS A CONTROLLED DOCUMENT.		DWN R.TALLEY 15NOV89		NAME	
DIMENSIONS: INCHES		CHK R.L.MILLER 06MAR90		SWITCH ASSY, DIP, TYPE C, 7100 SERIES, SPST, STANDARD	
TOLERANCES UNLESS OTHERWISE SPECIFIED:		APVD H.LEITER 06MAR90		SIZE A2 CAGE CODE 00779	
0 PLC ± - 1 PLC ± - 2 PLC ± - 3 PLC ± .005 4 PLC ± - ANGLES ± -		PRODUCT SPEC		DRAWING NO C=435640	
MATERIAL HOUSING & ROCKERS; POLYESTER CONTACTS; COPPER ALLOY		FINISH CONTACTS: PLATED .000030 MIN GOLD IN CONTACT AREA OVER .000050 MIN NICKEL	WEIGHT -	SCALE 4:1	SHEET 1 OF 1
CUSTOMER DRAWING				RESTRICTED TO	REV AN

X-ON Electronics

Largest Supplier of Electrical and Electronic Components

Click to view similar products for [DIP Switches/SIP Switches](#) category:

Click to view products by [TE Connectivity](#) manufacturer:

Other Similar products are found below :

[78M03S](#) [79B10T](#) [8136-475G4T](#) [G7G-1A2-CB-DC12](#) [H7CZL8AC100240](#) [A7SS-M](#) [A8CA-201](#) [DRR60016](#) [DRS4016](#) [1825008-1](#) [1825444-1](#) [25.350.0653.0](#) [SBS 5004 TG](#) [SDA10H1BDA](#) [97R06ST](#) [A2C-2A5](#) [1825444-7](#) [ADE08SA04](#) [ADE12S04](#) [192960010](#) [2-1825058-8](#) [25.330.0653.1](#) [25.352.0353.0](#) [CXDRIVEV2X](#) [IKN0600000](#) [IKN0800000](#) [LA2-002-DC24](#) [DBS1003](#) [438872000](#) [DRD10CRAE04](#) [DSR02T](#) [DSS 208 N](#) [E2FMX2D1M1TGJ03M](#) [NDI10H](#) [219-9MSTP](#) [204-6ES](#) [EPM02FV](#) [701521596](#) [NDS08V](#) [76SB05](#) [79A10](#) [TD06H0SK1](#) [Z7.255.9027.0](#) [1-1825058-3](#) [1825428-4](#) [219-10LPSTF](#) [E3ZG6111D03M](#) [G4D212PUSTV2DC5](#) [195-7MSTN](#) [NDI05H](#)