

THIS DRAWING IS UNPUBLISHED.

RELEASED FOR PUBLICATION

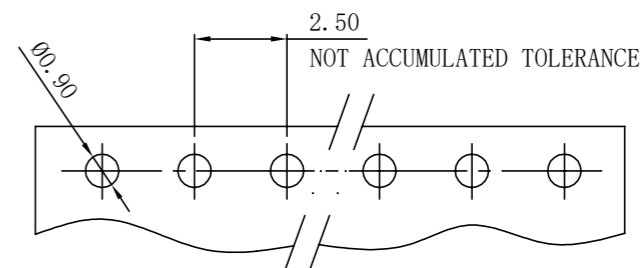
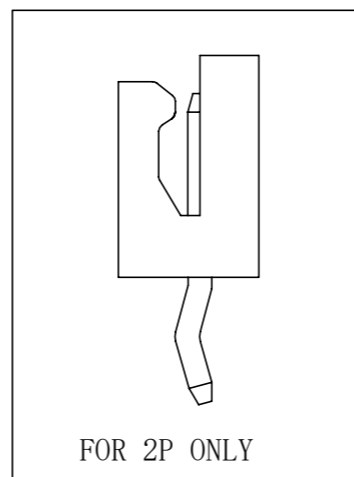
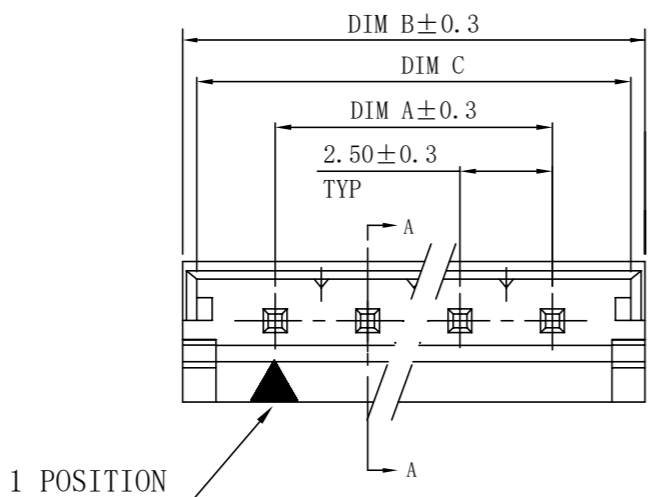
---

REVISIONS

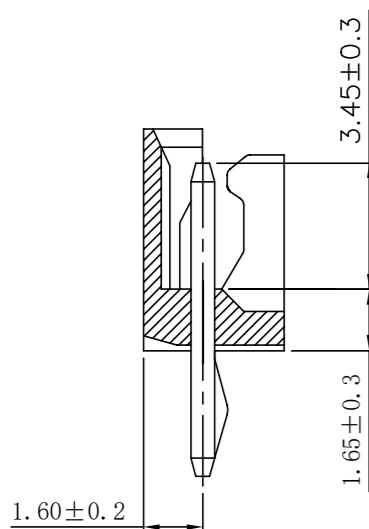
© COPYRIGHT - By -

ALL RIGHTS RESERVED.

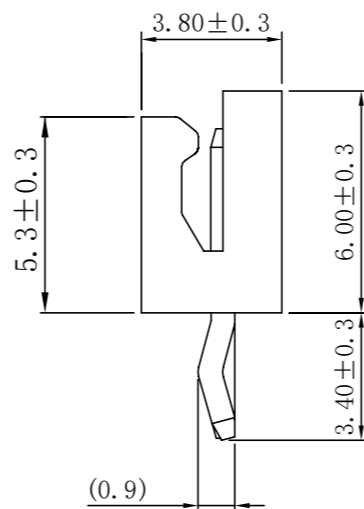
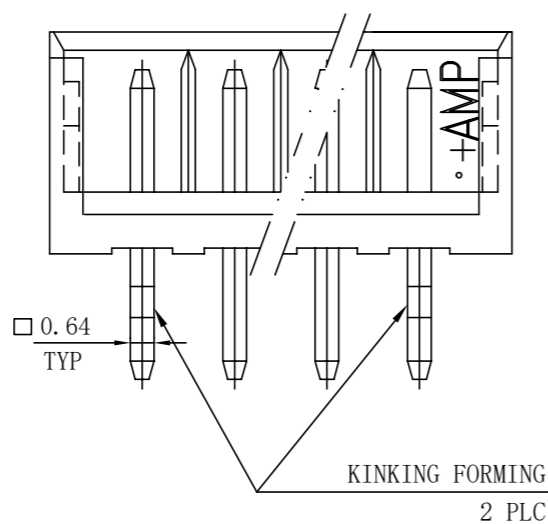
P	LTR	DESCRIPTION	DATE	DWN	APVD
	C8	ECR-20-004633	19MAR2020	T.Q	W.H



RECOMMEND PCB LAYOUT (PCB THK=1.0~1.6)



SECTION A-A



FOR 3P TO 15P

DIM C	DIM B	DIM A	CIRCUITS	HOUSING COLOR	PART NUMBER
14.2	15.0	10.00	4P	YELLOW	5-440052-3
14.2	15.0	10.00	4P	NATURAL	5-440052-2
9.2	10.0	5.00	2P	NATURAL	5-440052-1
14.2	15.0	10.00	3P	NATURAL	4-440052-5
39.2	40.0	35.00	15P	NATURAL	1-440052-5
36.7	37.5	32.50	14P	NATURAL	1-440052-4
34.2	35.0	30.00	13P	NATURAL	1-440052-3
31.7	32.5	27.50	12P	NATURAL	1-440052-2
29.2	30.0	25.00	11P	NATURAL	1-440052-1
26.7	27.5	22.50	10P	NATURAL	1-440052-0
24.2	25.0	20.00	9P	NATURAL	440052-9
21.7	22.5	17.50	8P	NATURAL	440052-8
19.2	20.0	15.00	7P	NATURAL	440052-7
16.7	17.5	12.50	6P	NATURAL	440052-6
14.2	15.0	10.00	5P	NATURAL	440052-5
11.7	12.5	7.50	4P	NATURAL	440052-4
9.2	10.0	5.00	3P	NATURAL	440052-3
6.7	7.5	2.50	2P	NATURAL	440052-2

- 5. PART 5-440052-1 IS PART 440052-3 BUT 2ND PIN REMOVED.
- 6. PART 5-440052-2 IS PART 440052-5 BUT 4TH PIN REMOVED.
- △ 0% MATERIAL REGRIND PARTS
- 8. PART 5-440052-3 IS PART 440052-5 BUT 3RD PIN REMOVED.

NOTE:

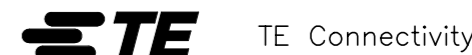
- 1. MATERIAL : HOUSING : THERMOPLASTIC UL94V-0, COLOR: SEE TABLE. CONTACT : BRASS.
- 2. FINISH: CONTACT : 80u" MIN. TIN PLATED ON CONTACT AREA.
- 3. WHEN EXTRACTING RECEPTACLE HOUSING FROM HEADER, NOT WIRE BUT RECEPTACLE HOUSING SHOULD BE CRIPED IN OEDER TO AVOID THE WIRE BREAKAGE.
- 4. PART 4-440052-5 IS PART 440052-5 WITH PIN 2 AND 4 REMOVED.

THIS DRAWING IS A CONTROLLED DOCUMENT.

DIMENSIONS:	TOLERANCES UNLESS OTHERWISE SPECIFIED:
mm	
	0 PLC ± 0.5
	1 PLC ± 0.3
	2 PLC ± 0.2
	3 PLC ± 0.15
	4 PLC ± -
	ANGLES ± -

MATERIAL	FINISH
-	-

DWN	O. HU	09JUN2003
CHK	A. WU	09JUN2003
APVD	J. CHENG	09JUN2003
PRODUCT SPEC	108-57099	
APPLICATION SPEC	-	
WEIGHT	-	
CUSTOMER DRAWING		



2.5 MM PITCH HPI VERTICAL POST HEADERS

SIZE	CAGE CODE	DRAWING NO	RESTRICTED TO
A3	00779	C=440052	-
SCALE	SHEET	REV	
1:1	1 of 5	C8	

4

3

2

1

THIS DRAWING IS UNPUBLISHED.

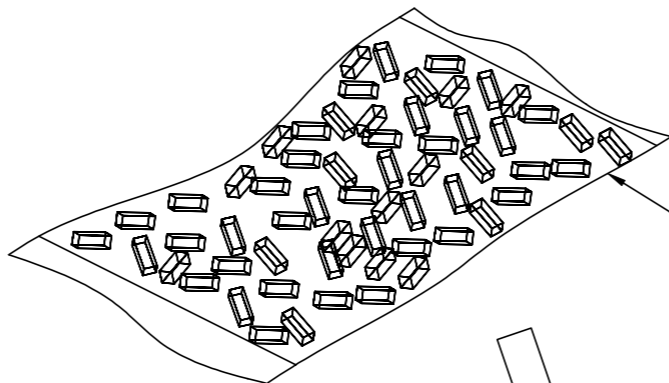
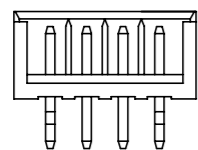
RELEASED FOR PUBLICATION

ALL RIGHTS RESERVED.

© COPYRIGHT - By -

REVISIONS

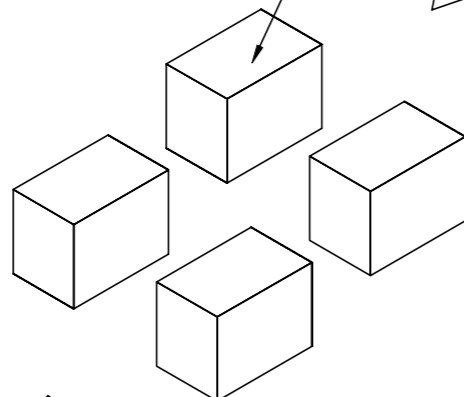
P	LTR	DESCRIPTION	DATE	DWN	APVD
-	-	SEE SHEET 1	-	-	-



POLY BAG  
127mm (L) X 203mm (W) X 0.07mm (H)

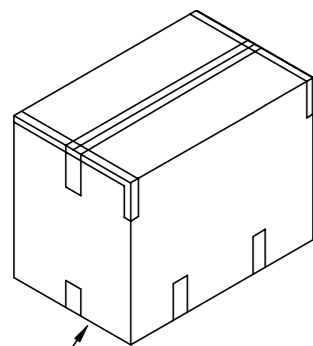
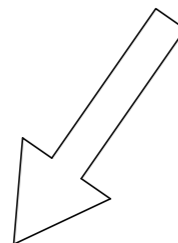
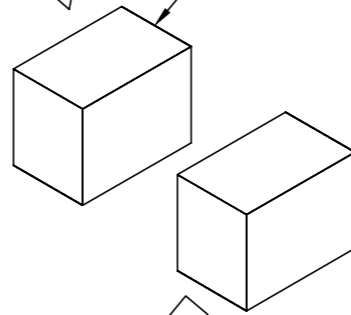


INEER BOX

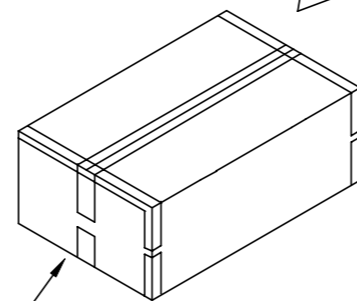


320mm (L) X 220mm (W) X 140mm (H)

INEER BOX  
320mm (L) X 220mm (W) X 140mm (H)



CARTON  
340mm (L) X 470mm (W) X 316mm (H)  
(FOR HEADER 6P~16P ONLY)



CARTON  
340mm (L) X 470mm (W) X 168mm (H)  
(FOR HEADER 2P~5P ONLY)

QTY	QTY	QTY	QTY	QTY	QTY
20,000	500	4P	<del>OBSOLETE</del>	<del>△</del>	5-440052-2
20,000	500	4P	<del>OBSOLETE</del>	<del>△</del>	5-440052-2
30,000	750	2P	<del>OBSOLETE</del>	<del>△</del>	5-440052-1
20,000	500	3P	<del>OBSOLETE</del>	<del>△</del>	4-440052-5
12,960	180	15P	<del>3-440052-5</del>	<del>△</del>	1-440052-5
12,000	200	14P	<del>3-440052-4</del>	<del>△</del>	1-440052-4
14,400	200	13P	<del>3-440052-3</del>	<del>△</del>	1-440052-3
16,000	250	12P	<del>3-440052-2</del>	<del>△</del>	1-440052-2
16,000	250	11P	<del>3-440052-1</del>	<del>△</del>	1-440052-1
20,000	250	10P	<del>3-440052-0</del>	<del>△</del>	1-440052-0
21,600	300	9P	<del>2-440052-9</del>	<del>△</del>	440052-9
25,200	350	8P	<del>2-440052-8</del>	<del>△</del>	440052-8
28,000	350	7P	<del>2-440052-7</del>	<del>△</del>	440052-7
35,000	350	6P	<del>2-440052-6</del>	<del>△</del>	440052-6
20,000	500	5P	<del>2-440052-5</del>	<del>△</del>	440052-5
24,000	600	4P	<del>2-440052-4</del>	<del>△</del>	440052-4
30,000	750	3P	<del>2-440052-3</del>	<del>△</del>	440052-3
36,000	1,000	2P	<del>2-440052-2</del>	<del>△</del>	440052-2
AP (PCS CARTON)	PP (PCS BAG)	CIRCUITS	YELLOW	NATURAL	NATURAL
			HOUSING COLOR		
			PART NUMBER		

THIS DRAWING IS A CONTROLLED DOCUMENT.

DWN	O. HU	09JUN2003	<b>STE</b> TE Connectivity		
CHK	A. WU	09JUN2003			
APVD	J. CHENG	09JUN2003	NAME		
PRODUCT SPEC			2.5 MM PITCH HPI VERTICAL POST HEADERS		
APPLICATION SPEC			108-57099		
MATERIAL			SIZE	CAGE CODE	DRAWING NO
FINISH			WEIGHT	A300779	C=440052
			RESTRICTED TO		
CUSTOMER DRAWING			SCALE	SHEET	REV
			1:1	2 of 5	C8

4

3

2

1

THIS DRAWING IS UNPUBLISHED.

RELEASED FOR PUBLICATION


--

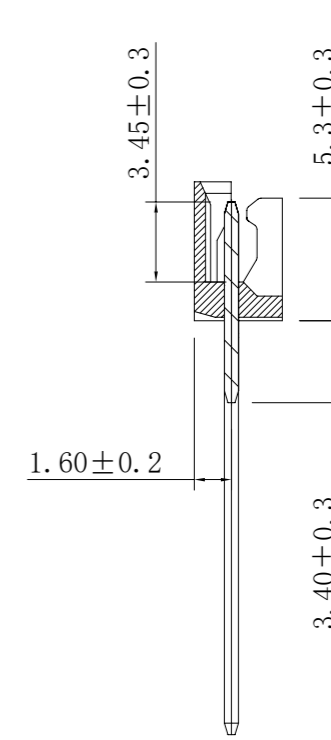
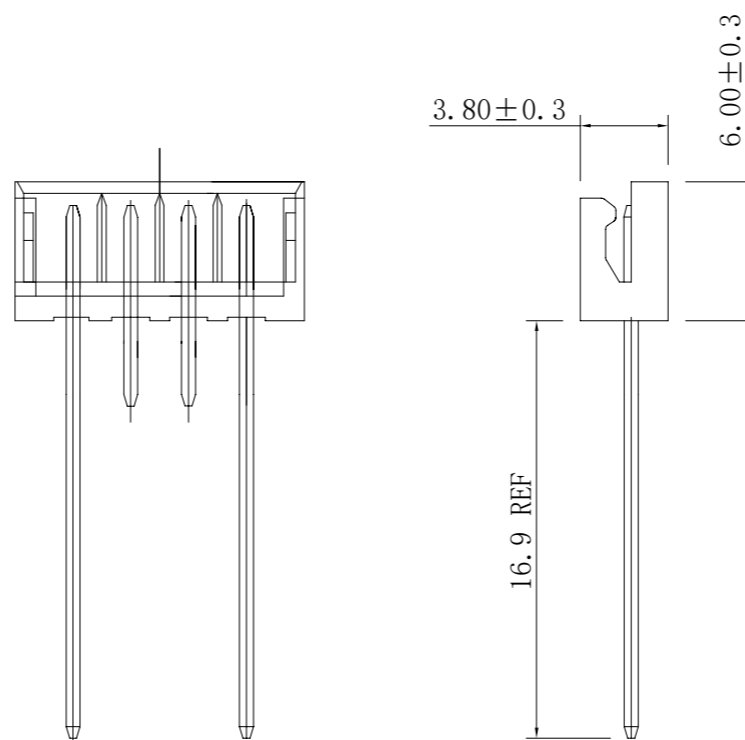
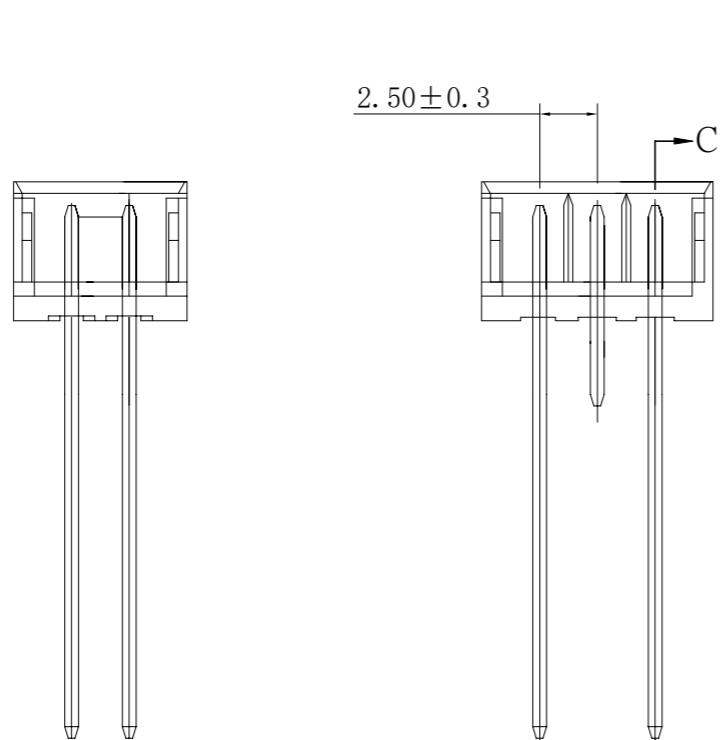
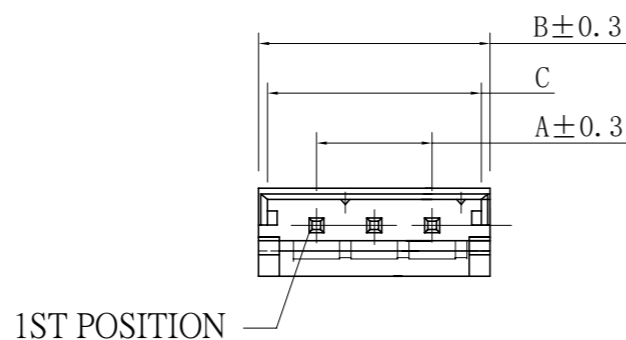
REVISIONS

© COPYRIGHT - By -

ALL RIGHTS RESERVED.

P	LTR	DESCRIPTION	DATE	DWN	APVD
-	-	SEE SHEET 1	-	-	-

					
11.7	12.5	7.50	4P	8-440052-4	4-440052-4
9.2	10.0	5.00	3P	8-440052-3	4-440052-3
6.7	7.5	2.50	2P	8-440052-2	4-440052-2
C	B	A	POS	P/N	P/N



2POS


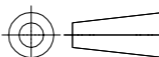
3POS

4POS

SECTION: C-C

NOTE:

- MATERIAL :  
HOUSING : THERMOPLASTIC UL94V-0,  
COLOR: NATURAL.  
CONTACT : BRASS.
- FINISH:  
CONTACT : 80u" MIN. TIN PLATED ON CONTACT AREA.
- WHEN EXTRACTING RECEPTACLE HOUSING FROM HEADER,  
NOT WIRE BUT RECEPTACLE HOUSING SHOULD BE  
CRIPED IN OEDER TO AVOID THE WIRE BREAKAGE.

THIS DRAWING IS A CONTROLLED DOCUMENT.		DWN O. HU 09JUN2003	 TE Connectivity	
		CHK A. WU 09JUN2003		
DIMENSIONS: mm		APVD J. CHENG 09JUN2003	NAME	
		PRODUCT SPEC 108-57099		2.5 MM PITCH HPI VERTICAL POST HEADERS
		APPLICATION SPEC		
MATERIAL	FINISH	WEIGHT 0.000000	SIZE A3	CAGE CODE 00779
		DRAWING NO C=440052		RESTRICTED TO
		CUSTOMER DRAWING		SCALE 1:1
		SHEET 3 of 5		REV C8

THIS DRAWING IS UNPUBLISHED.

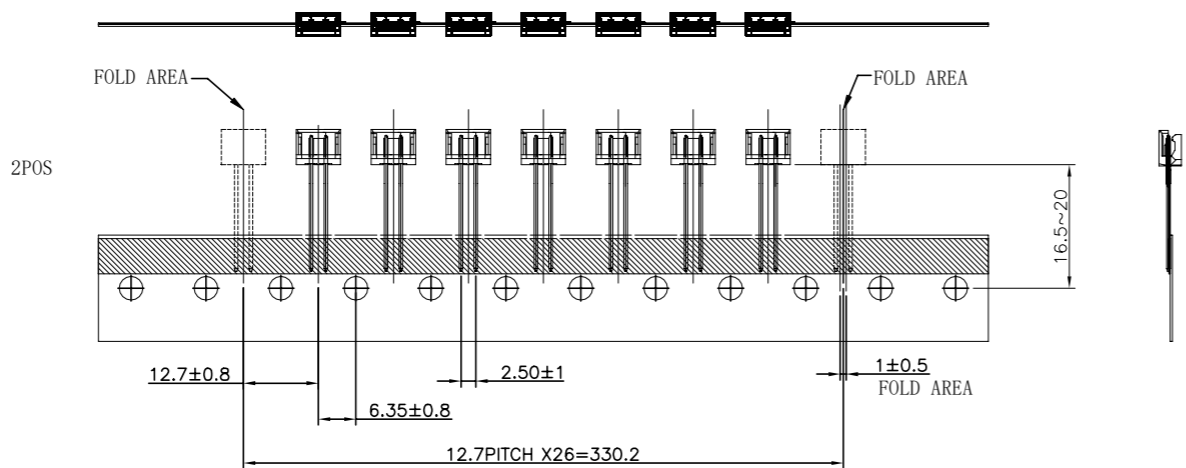
RELEASED FOR PUBLICATION

ALL RIGHTS RESERVED.

© COPYRIGHT - By -

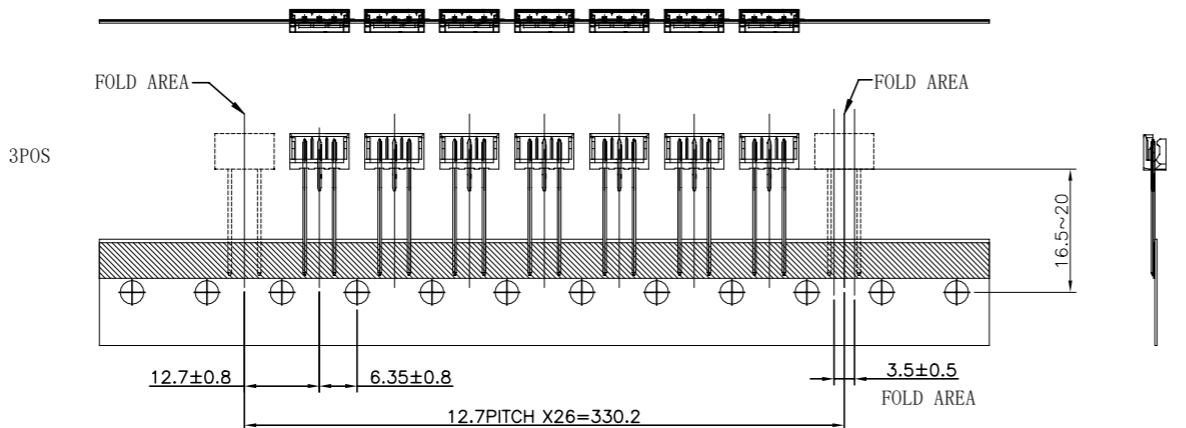
REVISIONS

P	LTR	DESCRIPTION	DATE	DWN	APVD
-	-	SEE SHEET 1	-	-	-

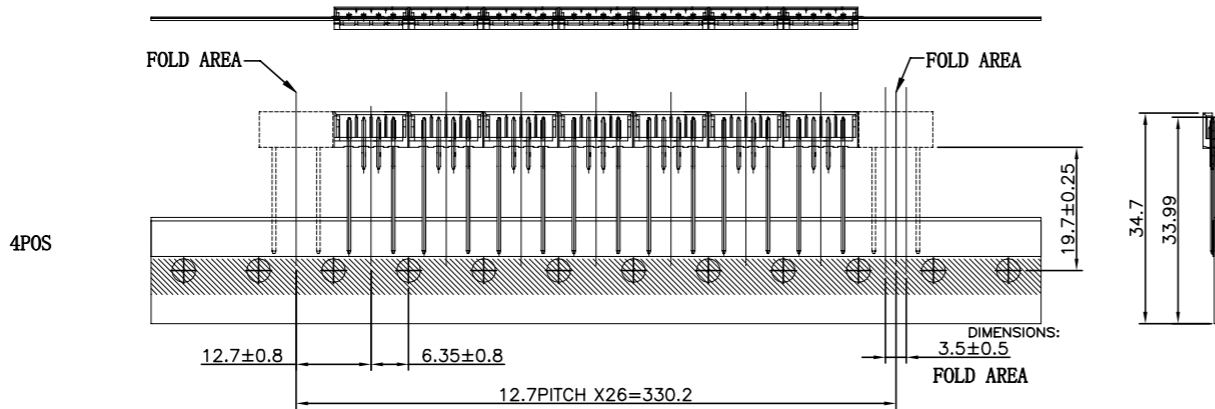


NOTES:

- 1. BRAID: 12.7PITCH\*26=330.2
- 2. CATON; 342\*310\*42mm
- 3. QUANTITY: 2POS--1500pcs/box  
3POS--1500pcs/box  
4POS--720pcs/box



4P	8-440052-4	4-440052-4
3P	8-440052-3	4-440052-3
2P	8-440052-2	4-440052-2
POS	P/N	P/N



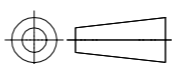
THIS DRAWING IS A CONTROLLED DOCUMENT.

DWN	O. HU	09JUN2003
CHK	A. WU	09JUN2003
APVD	J. CHENG	09JUN2003



DIMENSIONS: mm

TOLERANCES UNLESS OTHERWISE SPECIFIED:



0 PLC	± -
1 PLC	± -
2 PLC	± -
3 PLC	± -
4 PLC	± -
ANGLES	± -

MATERIAL FINISH

PRODUCT SPEC 108-57099 APPLICATION SPEC

NAME 2.5 MM PITCH HPI VERTICAL POST HEADERS

WEIGHT 0.000000

SIZE	CAGE CODE	DRAWING NO	RESTRICTED TO
A3	00779	C=440052	-

CUSTOMER DRAWING SCALE 1:1 SHEET 4 of 5 REV C8

THIS DRAWING IS UNPUBLISHED.

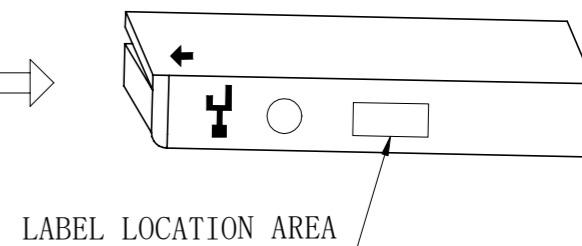
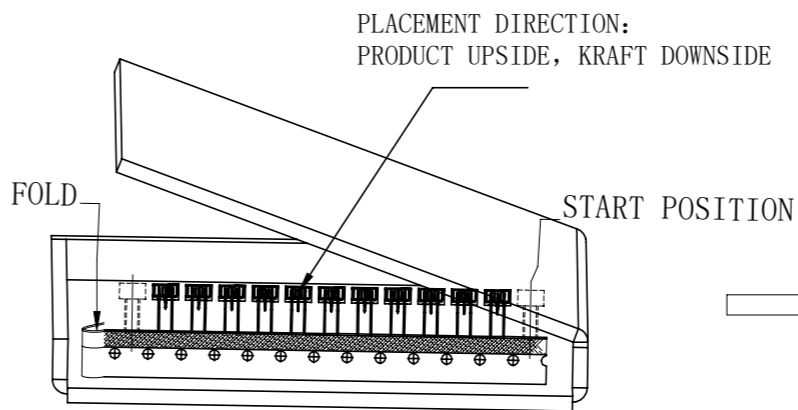
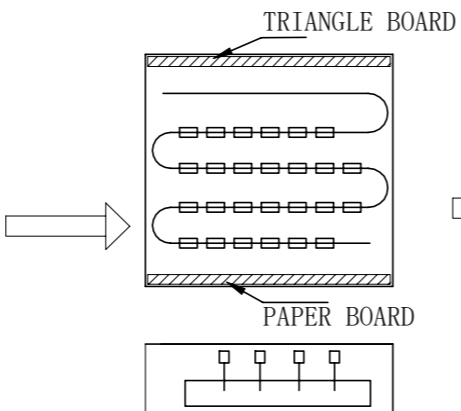
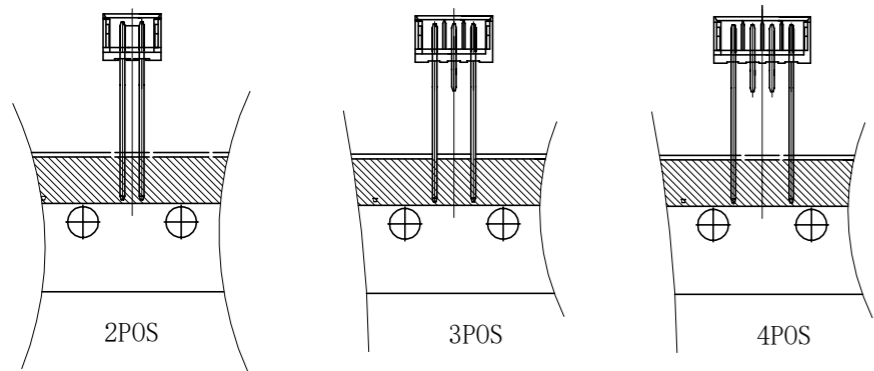
RELEASED FOR PUBLICATION

ALL RIGHTS RESERVED.

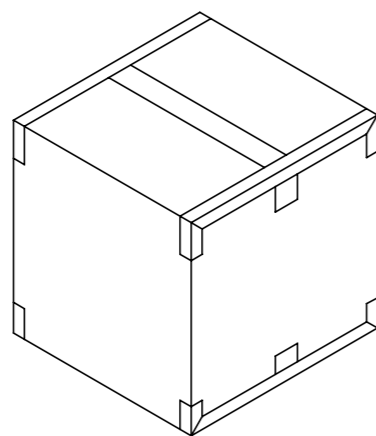
© COPYRIGHT - By -

REVISIONS

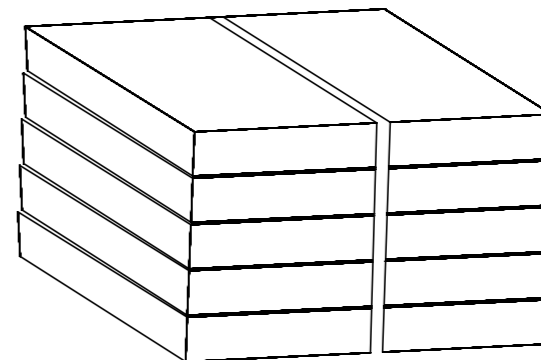
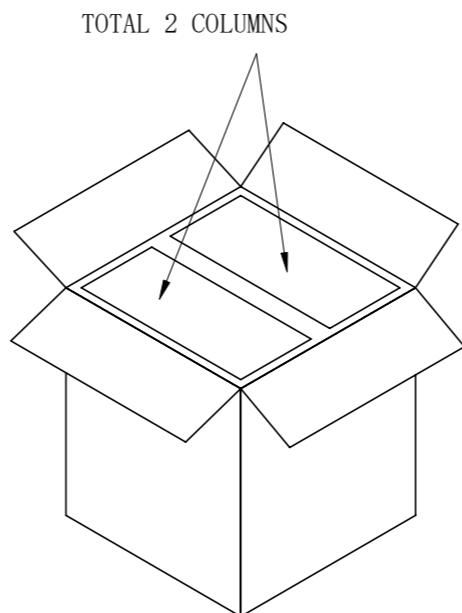
P	LTR	DESCRIPTION	DATE	DWN	APVD
-	-	SEE SHEET 1	-	-	-



- 1, QUANTITY; 2POS--1500pcs/BOX
- 3POS--1500pcs/BOX
- 4POS--720pcs/BOX



QUANTITY:  
 2POS&3POS: 1500x10=15000PCS  
 4POS: 720x10=7200PCS



	△	
4P	8-440052-4	4-440052-4
3P	8-440052-3	4-440052-3
2P	8-440052-2	4-440052-2
POS	P/N	P/N

THIS DRAWING IS A CONTROLLED DOCUMENT.		DWN O. HU 09JUN2003	<b>STE</b> TE Connectivity	
DIMENSIONS: mm		CHK A. WU 09JUN2003		
TOLERANCES UNLESS OTHERWISE SPECIFIED:		APVD J. CHENG 09JUN2003	NAME	
0 PLC ± -		PRODUCT SPEC		2.5 MM PITCH HPI VERTICAL POST HEADERS
1 PLC ± -		APPLICATION SPEC		
2 PLC ± -		108-57099		SIZE
3 PLC ± -		-		CAGE CODE
4 PLC ± -		-		DRAWING NO
ANGLES ± -		WEIGHT 0.000000		RESTRICTED TO
FINISH		A3 00779 C=440052		-
MATERIAL		CUSTOMER DRAWING		SCALE 1:1
		SHEET 5 of 5		REV C8

## X-ON Electronics

Largest Supplier of Electrical and Electronic Components

*Click to view similar products for [Headers & Wire Housings](#) category:*

*Click to view products by [TE Connectivity](#) manufacturer:*

Other Similar products are found below :

[892-18-020-10-001101](#) [58102-G61-06LF](#) [582553-1](#) [0009485154](#) [009176003701906](#) [0050291907](#) [LY20-4P-DT1-P1E-BR](#) [02.125.8002.8](#)  
[609-3404](#) [61062-3](#) [61082-181009](#) [622-3653LF](#) [63453-116](#) [636-1030](#) [636-1427](#) [636-3427](#) [636-4007](#) [641938-9](#) [641991-4](#) [644827-2](#) [65817-](#)  
[010LF](#) [65817-015LF](#) [65863-015LF](#) [66207-023LF](#) [67095-007LF](#) [67601157](#) [68645-018](#) [68648-049](#) [70.362.1628.0](#) [70-4210](#) [70-4226B](#) [70-](#)  
[4853B](#) [707-5020](#) [707-5028](#) [71.350.2428.0](#) [71918-208LF](#) [71961-016LF](#) [733-134](#) [733-162](#) [754199-000](#) [760-3052](#) [787-8014-00](#) [79531-3000](#)  
[FCN-360C032-B](#) [FCN-367T-T012/H](#) [FCN-723D010/2](#) [80.063.4001.1](#) [800-90-001-10-001000](#) [800-90-010-10-002000](#) [801-43-002-10-013000](#)