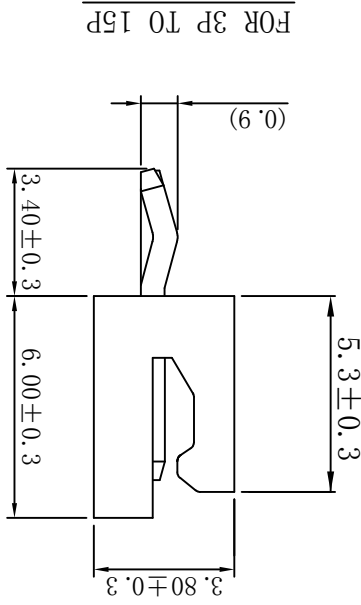
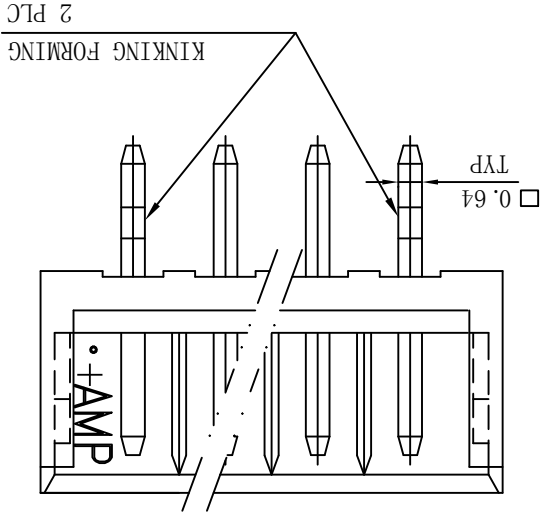
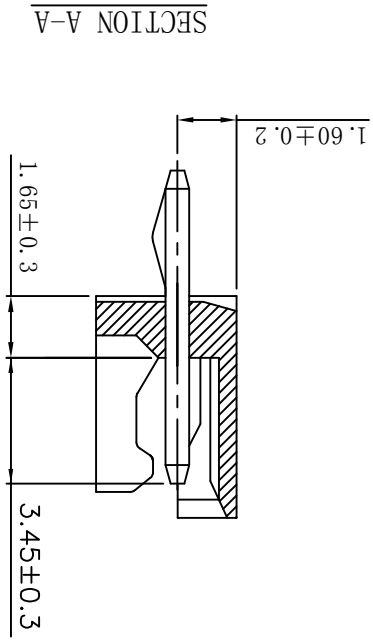
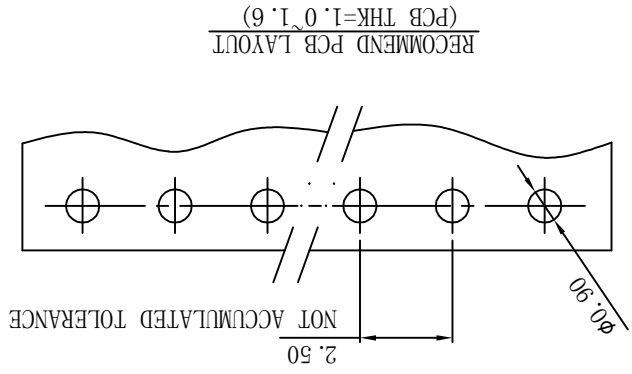
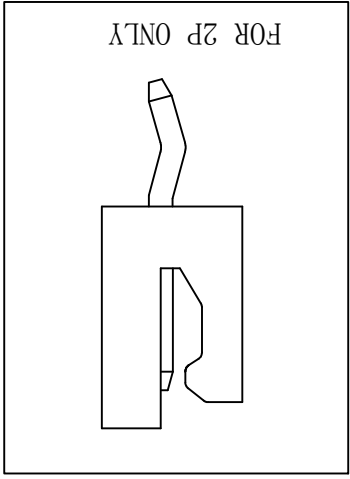
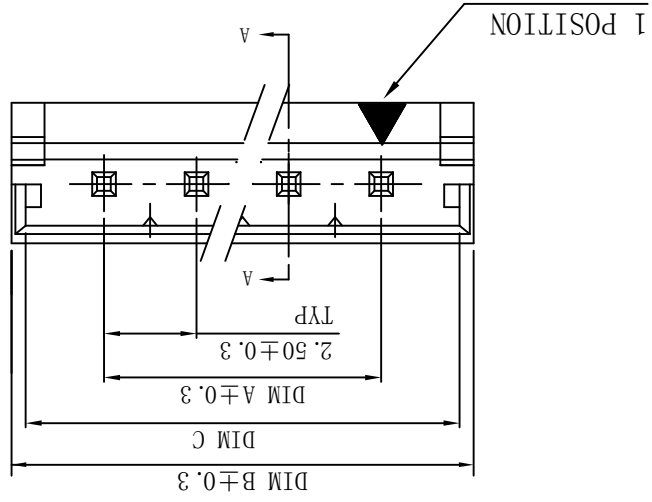


P	LTR	DESCRIPTION	DATE	DWN	APVD
REVISIONS					
	C7	ECR-17-017786	06DEC2017		T.Q.W.H



- NOTE:
- MATERIAL : THERMOPLASTIC UL94V-0, COLOR : SEE TABLE.
  - FINISH : CONTACT : 80μ" MIN. TIN PLATED ON CONTACT AREA.
  - WHEN EXTRACTING RECEPTACLE HOUSING FROM HEADER, NOT WIRE BUT RECEPTACLE HOUSING SHOULD BE CRIPED IN ORDER TO AVOID THE WIRE BREAKAGE.
  - PART 4-440052-5 IS PART 440052-5 WITH PIN 2 AND 4 REMOVED.

- PART 5-440052-1 IS PART 440052-3 BUT 2ND PIN REMOVED.
- PART 5-440052-2 IS PART 440052-5 BUT 4TH PIN REMOVED.

THIS DRAWING IS A CONTROLLED DOCUMENT.

TOLERANCES UNLESS OTHERWISE SPECIFIED:

0 PLC ± 0.5

1 PLC ± 0.3

2 PLC ± 0.2

3 PLC ± 0.15

4 PLC ± -

FINISH

ANGLES

± -



DIMENSIONS: mm

MATERIAL

WEIGHT

DWN 09JUN2003

CHK 09JUN2003

APVD J. CHENG 09JUN2003

NAME

PRODUCT SPEC

108-57099

APPLICATION SPEC

SIZE

CAGE CODE

DRAWING NO

440052

RESTRICTED TO

REV C7

SHEET 1 OF 5

SCALE 1:1

CUSTOMER DRAWING



TE Connectivity

DIM C	DIM B	DIM A	CIRCUITS	PART NUMBER	HOUSING COLOR
14.2	15.0	10.00	4P	5-440052-2	NATURAL
9.2	10.0	5.00	2P	5-440052-1	NATURAL
14.2	15.0	10.00	3P	4-440052-5	NATURAL
39.2	40.0	35.00	15P	3-440052-5	NATURAL
36.7	37.5	32.50	14P	3-440052-4	NATURAL
34.2	35.0	30.00	13P	3-440052-3	NATURAL
31.7	32.5	27.50	12P	3-440052-2	NATURAL
29.2	30.0	25.00	11P	3-440052-1	NATURAL
26.7	27.5	22.50	10P	3-440052-0	NATURAL
24.2	25.0	20.00	9P	2-440052-9	NATURAL
21.7	22.5	17.50	8P	2-440052-8	NATURAL
19.2	20.0	15.00	7P	2-440052-7	NATURAL
16.7	17.5	12.50	6P	2-440052-6	NATURAL
14.2	15.0	10.00	5P	2-440052-5	NATURAL
11.7	12.5	7.50	4P	2-440052-4	NATURAL
9.2	10.0	5.00	3P	2-440052-3	NATURAL
6.7	7.5	2.50	2P	2-440052-2	NATURAL

OBSELETE

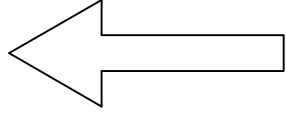
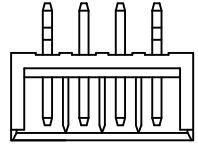
REVISIONS

THIS DRAWING IS UNPUBLISHED.  
RELEASED FOR PUBLICATION  
ALL RIGHTS RESERVED.

1 2 3 4

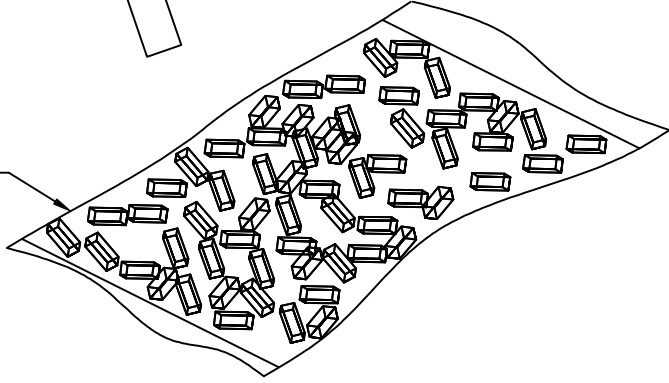
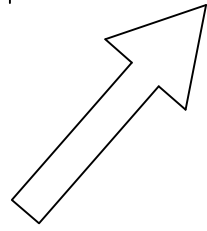
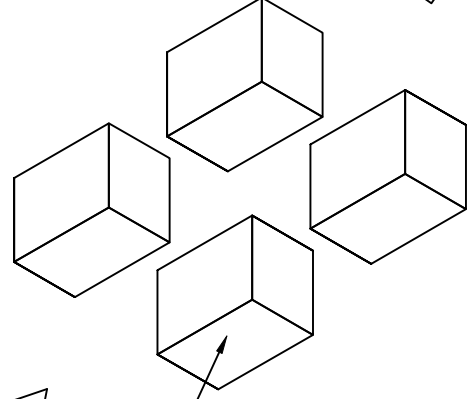
P	LTR	DESCRIPTION	DATE	DWN	APVD
1	-	SEE SHEET 1	-	-	-

REVISIONS



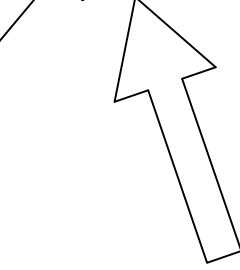
320mm (L) X 220mm (W) X 140mm (H)

INNER BOX



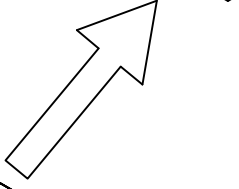
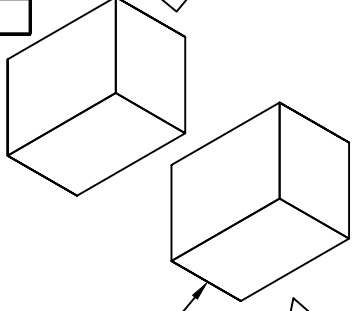
POLY BAG

127mm (L) X 203mm (W) X 0.07mm (H)



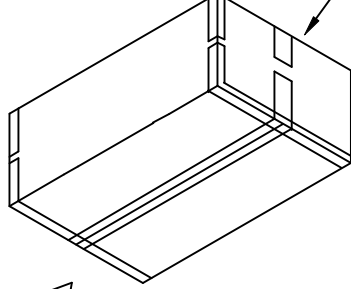
INNER BOX

320mm (L) X 220mm (W) X 140mm (H)

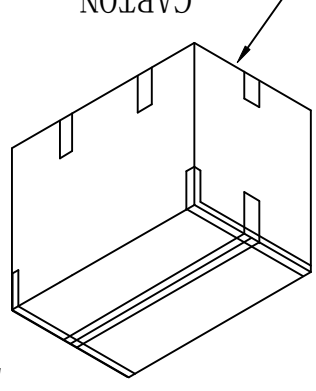


340mm (L) X 470mm (W) X 168mm (H)

CARTON

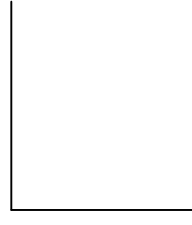


(FOR HEADER 2P~5P ONLY)



CARTON

340mm (L) X 470mm (W) X 316mm (H)  
(FOR HEADER 6P~16P ONLY)



THIS DRAWING IS A CONTROLLED DOCUMENT.

DWN  
O. HU  
09JUN2003  
CHK  
A. WU  
09JUN2003  
APVD  
J. CHENG  
09JUN2003  
NAME

TOLERANCES UNLESS OTHERWISE SPECIFIED:

± -

± -

± -

± -

± -

± -

± -

± -



mm

DIMENSIONS:

MATERIAL

FINISH

0 PLC

1 PLC

2 PLC

3 PLC

4 PLC

± -

± -

± -

± -

CUSTOMER DRAWING

WEIGHT

0.000000

APPLICATION SPEC

108-57099

PRODUCT SPEC

APVD  
J. CHENG  
09JUN2003

CHK  
A. WU  
09JUN2003

DWN  
O. HU  
09JUN2003

NAME

J. CHENG

09JUN2003

09JUN2003

09JUN2003

09JUN2003

09JUN2003

09JUN2003

09JUN2003

09JUN2003

09JUN2003

09JUN2003

09JUN2003

09JUN2003

09JUN2003

09JUN2003

09JUN2003

09JUN2003

09JUN2003

09JUN2003

09JUN2003

09JUN2003

09JUN2003

09JUN2003

09JUN2003

09JUN2003

09JUN2003

09JUN2003

09JUN2003

09JUN2003

09JUN2003

09JUN2003

09JUN2003

09JUN2003

09JUN2003

09JUN2003

09JUN2003

09JUN2003

09JUN2003

09JUN2003

09JUN2003

09JUN2003

09JUN2003

09JUN2003

09JUN2003

09JUN2003

09JUN2003

CUSTOMER DRAWING

WEIGHT

0.000000

APPLICATION SPEC

108-57099

PRODUCT SPEC

APVD  
J. CHENG  
09JUN2003

CHK  
A. WU  
09JUN2003

DWN  
O. HU  
09JUN2003

NAME

J. CHENG

09JUN2003

09JUN2003

09JUN2003

09JUN2003

09JUN2003

09JUN2003

09JUN2003

09JUN2003

09JUN2003

09JUN2003

09JUN2003

09JUN2003

09JUN2003

09JUN2003

09JUN2003

09JUN2003

09JUN2003

09JUN2003

09JUN2003

09JUN2003

09JUN2003

09JUN2003

09JUN2003

09JUN2003

09JUN2003

09JUN2003

09JUN2003

09JUN2003

09JUN2003

09JUN2003

09JUN2003

09JUN2003

09JUN2003

09JUN2003

09JUN2003

09JUN2003

09JUN2003

09JUN2003

09JUN2003

09JUN2003

09JUN2003

09JUN2003

09JUN2003

09JUN2003

09JUN2003



TE Connectivity

2.5 MM PITCH HPI VERTICAL POST HEADERS

SCALE

1:1

SHEET

2 of 5

REV

C7

RESTRICTED TO

DRAWING NO

A300779

CAGE CODE

A300779

SIZE

A3

00779

440052

440052

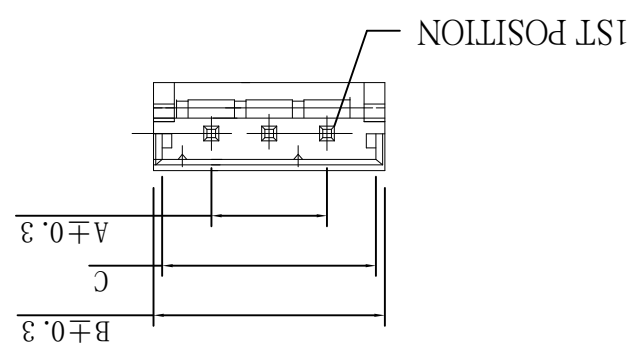
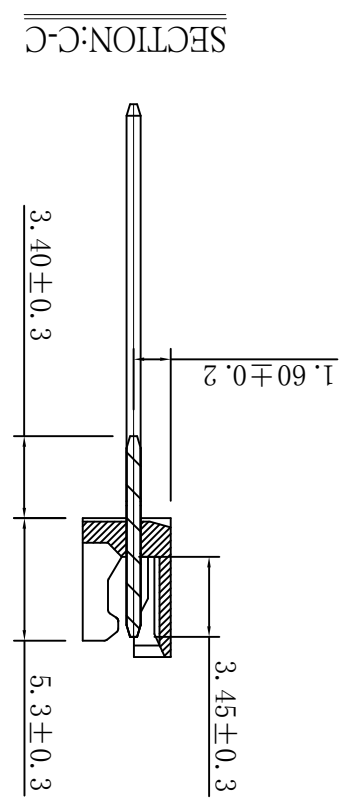
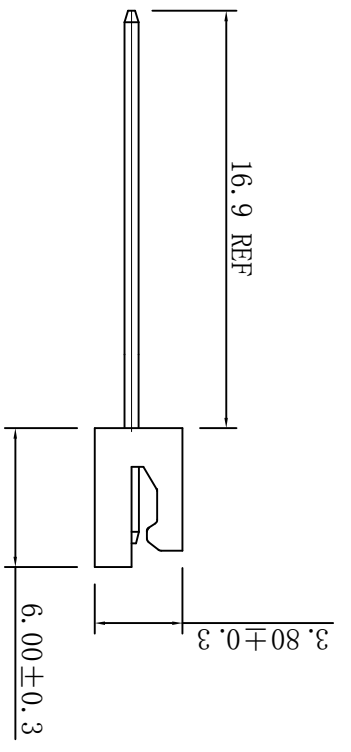
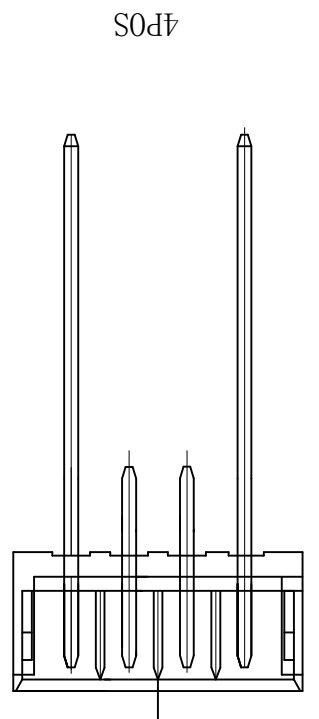
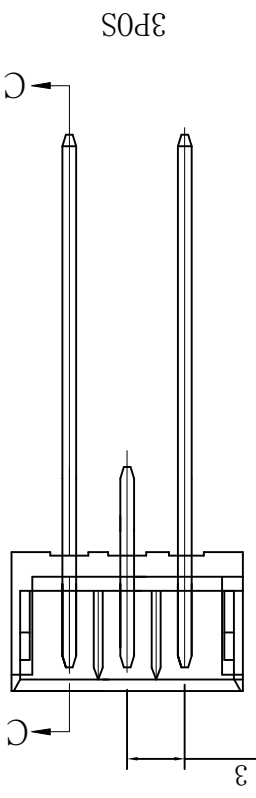
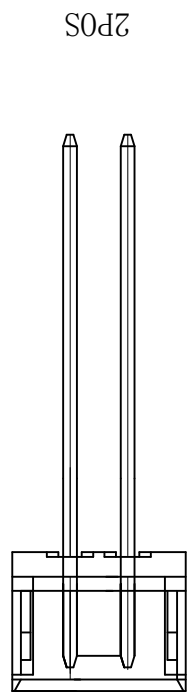
- NOTE:
1. MATERIAL : THERMOPLASTIC UL94V-0,  
HOUSING : BRASS.  
COLOR : NATURAL.
  2. FINISH : CONTACT : 80µ" MIN. TIN PLATED ON CONTACT AREA.
  3. WHEN EXTRACTING RECEPTACLE HOUSING FROM HEADER, NOT WIRE BUT RECEPTACLE HOUSING SHOULD BE CRIPED IN OEDER TO AVOID THE WIRE BREAKAGE.

MATERIAL		-	
DIMENSIONS:		mm	
FINISH		-	
0 PLC	± 0.5	4 PLC	± -
1 PLC	± 0.3	3 PLC	± 0.15
2 PLC	± 0.2	2 PLC	± -
3 PLC	± 0.15	1 PLC	± -
4 PLC	± -	ANGLES	± -

WEIGHT		0.000000	
APPLICATION SPEC		108-57099	
PRODUCT SPEC		J. CHENG	
APVD		09JUN2003	
NAME		09JUN2003	
DWN		09JUN2003	
CHK		09JUN2003	
A. WU		09JUN2003	

CUSTOMER DRAWING			
SCALE	1:1	SHEET	3 of 5
REV	C7	DRAWING NO	8-440052
RESTRICTED TO	-		
SIZE		A3	
CAGE CODE		00779	
2.5 MM PITCH HPI VERTICAL POST HEADERS			
TE Connectivity		STC	

THIS DRAWING IS A CONTROLLED DOCUMENT.



POS	A	B	C	P/N
2P	2.50	7.5	6.7	8-440052-2
3P	5.00	10.0	9.2	8-440052-3
4P	7.50	12.5	11.7	8-440052-4

P	LTR	DESCRIPTION	DATE	DWN	APVD
-	-	SEE SHEET 1	-	-	-

THIS DRAWING IS UNPUBLISHED. RELEASED FOR PUBLICATION. ALL RIGHTS RESERVED. COPYRIGHT - - By - -

CUSTOMER DRAWING		SCALE	SHEET	REV
0.000000		1:1	4 of 5	C7
WEIGHT	SIZE	CAGE CODE	DRAWING NO	RESTRICTED TO
0.000000	A3	00779	440052	-
APVD		NAME		
J. CHENG		2.5 MM PITCH HPI VERTICAL POST HEADERS		
PRODUCT SPEC		APPLICATION SPEC		
108-57099		09JUN2003		
TOLERANCES UNLESS OTHERWISE SPECIFIED:		DWN		
0 PLC ±		O. HU		
1 PLC ±		09JUN2003		
2 PLC ±		CHK		
3 PLC ±		A. WU		
4 PLC ±		09JUN2003		
ANGLES ±		APVD		
FINISH ±		J. CHENG		

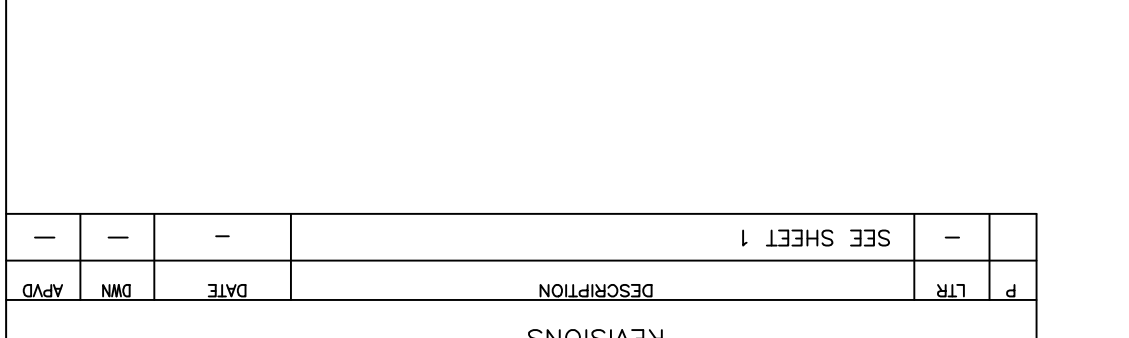
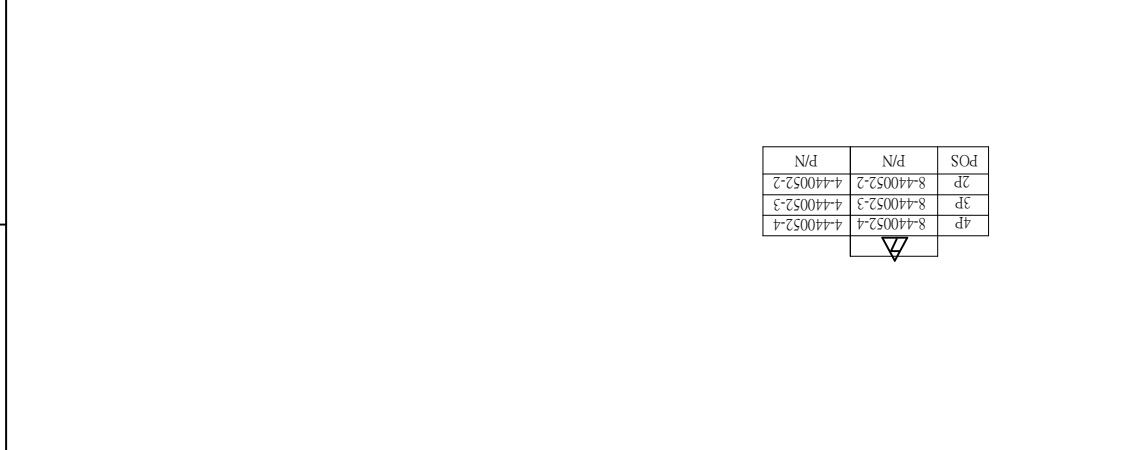
THIS DRAWING IS A CONTROLLED DOCUMENT.

09JUN2003

09JUN2003

09JUN2003

TE Connectivity



4P0S	3P0S	2P0S
------	------	------

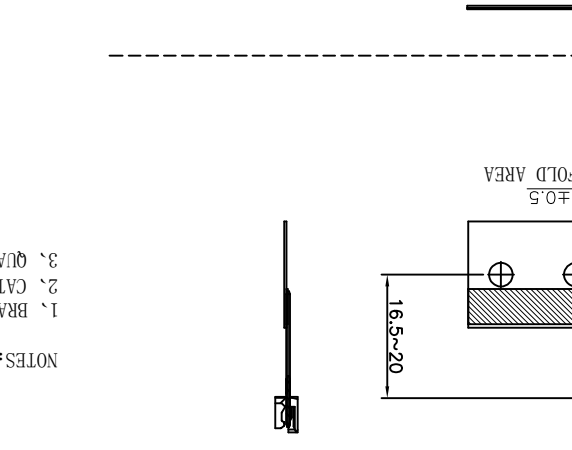
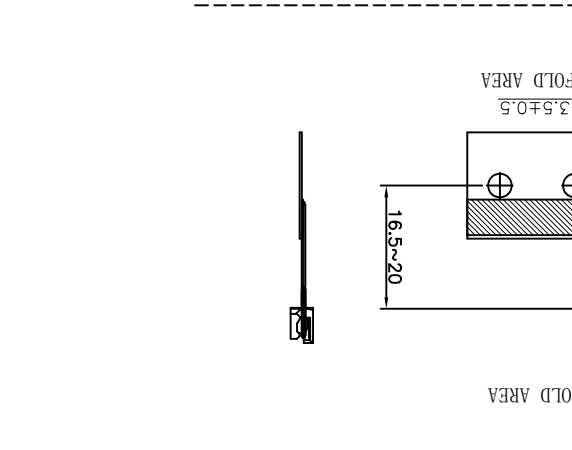
APVD	NAME
J. CHENG	09JUN2003
PRODUCT SPEC	APPLICATION SPEC
108-57099	09JUN2003
WEIGHT	0.000000

THIS DRAWING IS A CONTROLLED DOCUMENT.

09JUN2003

09JUN2003

09JUN2003



4P0S	3P0S	2P0S
------	------	------

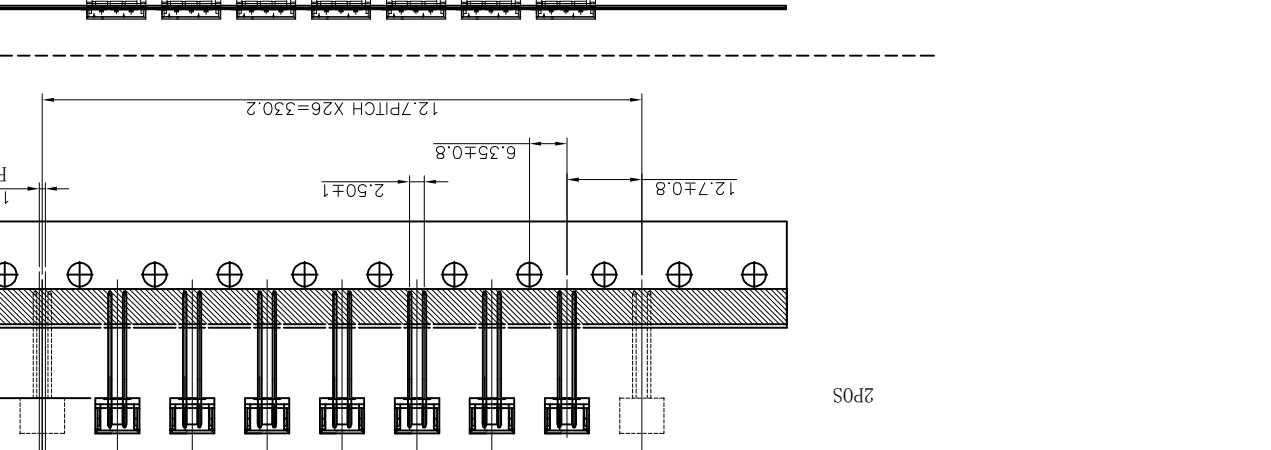
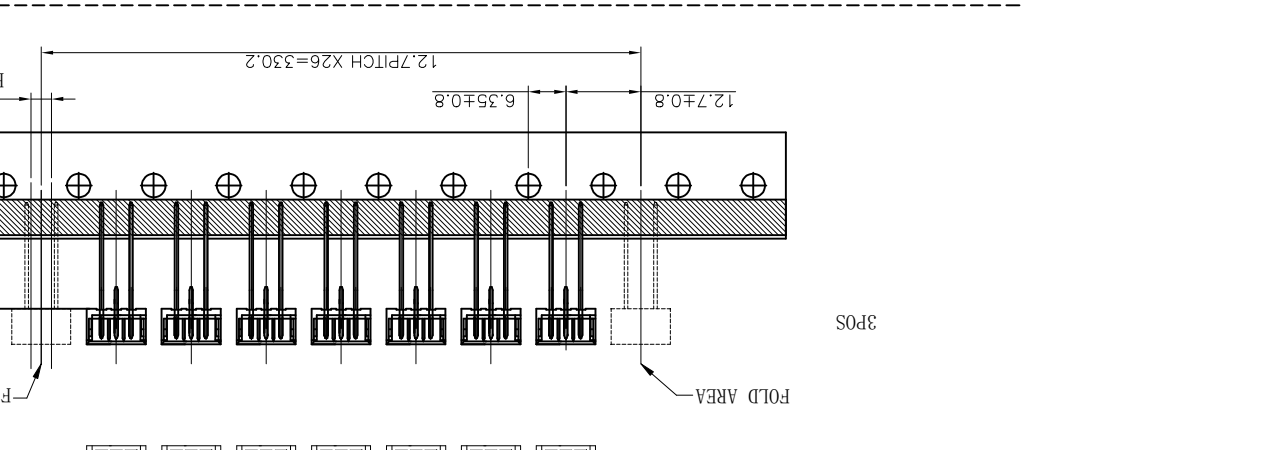
SEE SHEET 1	DESCRIPTION	DATE	DWN	APVD
-	-	-	-	-

APVD	NAME
J. CHENG	09JUN2003
PRODUCT SPEC	APPLICATION SPEC
108-57099	09JUN2003
WEIGHT	0.000000

THIS DRAWING IS UNPUBLISHED.

RELEASED FOR PUBLICATION

ALL RIGHTS RESERVED.

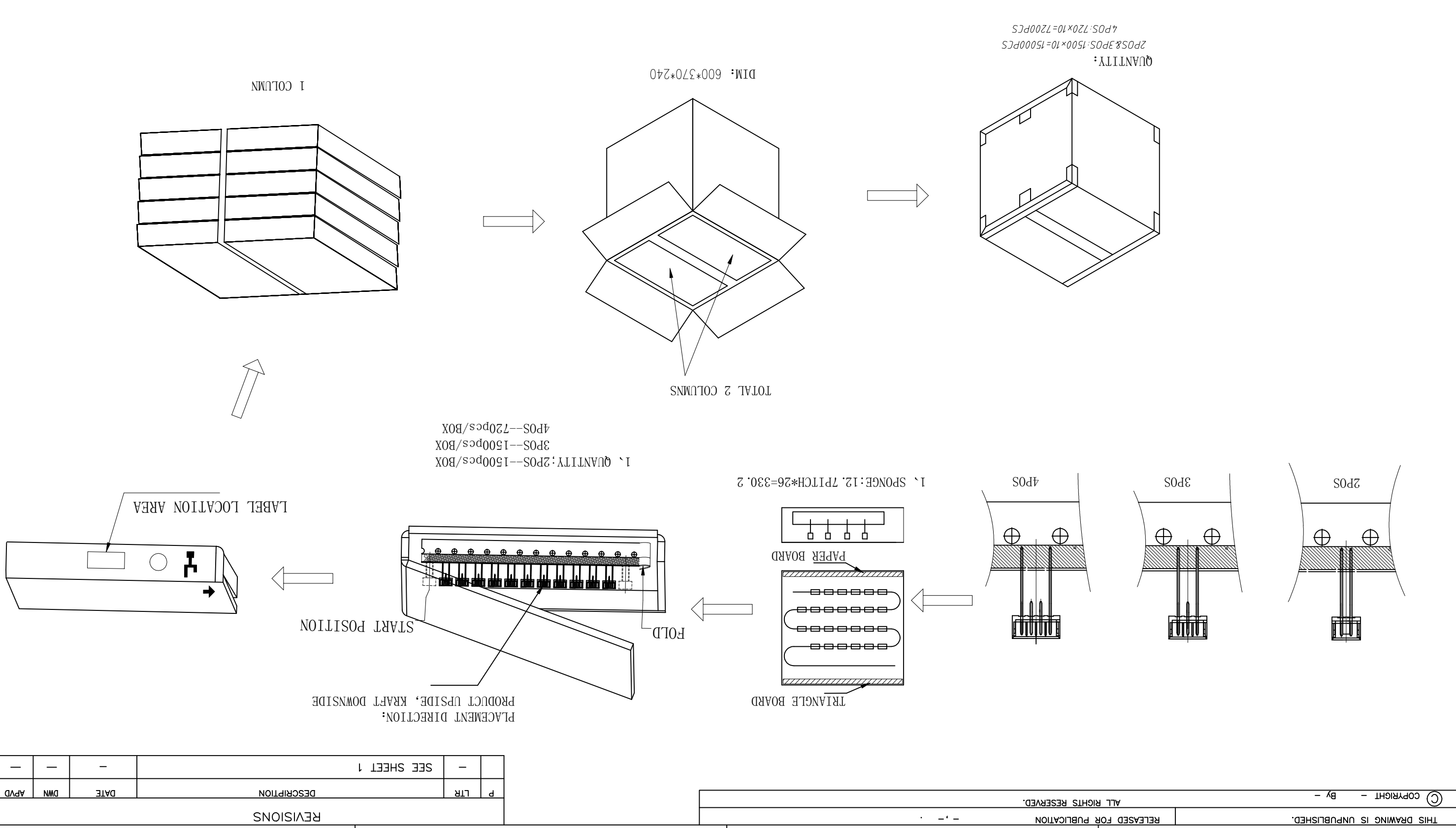


4P0S	3P0S	2P0S
------	------	------

SEE SHEET 1	DESCRIPTION	DATE	DWN	APVD
-	-	-	-	-

POS	P/N	P/N
2P	8-440052-2	4-440052-2
3P	8-440052-3	4-440052-3
4P	8-440052-4	4-440052-4

MATERIAL		FINISH		WEIGHT		CUSTOMER DRAWING	
-		-		0.000000		-	
mm		0 PLC 1 PLC 2 PLC 3 PLC 4 PLC		-		SCALE 1:1	
DIMENSIONS:		TOLERANCES UNLESS OTHERWISE SPECIFIED:		APVD J. CHENG		SHEET 5 OF 5	
-		± -		NAME		REV C7	
-		± -		O. HU		RESTRICTED TO	
-		± -		A. WU		DRAWING NO	
-		± -		CHK		CAGE CODE	
-		± -		09JUN2003		00779	
-		± -		09JUN2003		440052	
-		± -		09JUN2003		2.5 MM PITCH HPI VERTICAL POST HEADERS	
-		± -		09JUN2003		TE Connectivity	



REVISIONS		SEE SHEET 1	
P	LTR	DESCRIPTION	DATE
-	-	-	-
APVD	DWN	DATE	

## X-ON Electronics

Largest Supplier of Electrical and Electronic Components

*Click to view similar products for [Headers & Wire Housings](#) category:*

*Click to view products by [TE Connectivity](#) manufacturer:*

Other Similar products are found below :

[95000-104TRLF](#) [10135584-644402LF](#) [DF62W-EP2022PCA](#) [95000-106TRLF](#) [DF62W-2022SCA](#) [DF62W-EP2022PC](#) [2203348](#) [DF62W-2022SC](#) [1084018](#) [1029039](#) [1084017](#) [802-10-012-10-002000](#) [1112640](#) [1112639](#) [000-34000](#) [0009482033](#) [0009507031](#) [57102-S06-03LF](#) [57202-S52-04LF](#) [PCN6-15S-2.5E](#) [0039019024](#) [58102-G61-06LF](#) [582553-1](#) [0009485154](#) [0009508121](#) [0022285053](#) [0050291907](#) [018731A](#) [LY20-4P-DT1-P1E-BR](#) [02.125.8002.8](#) [60101931](#) [60598-1 \(Cut Strip\)](#) [M1625-3R/100](#) [61062-3](#) [61082-181009](#) [636-1427](#) [638009-1](#) [641938-9](#) [641991-4](#) [644168-1](#) [647662-1](#) [65039-019ELF](#) [65817-002LF](#) [65817-015LF](#) [65863-015LF](#) [66207-023LF](#) [67016-026LF](#) [67046-001LF](#) [67095-007LF](#) [67230-005LF](#)