

THIS DRAWING IS UNPUBLISHED.

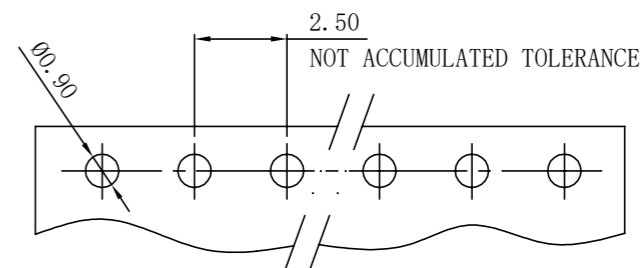
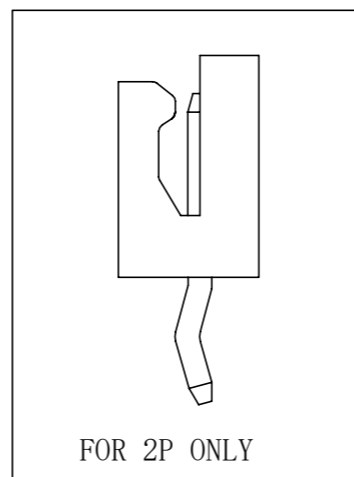
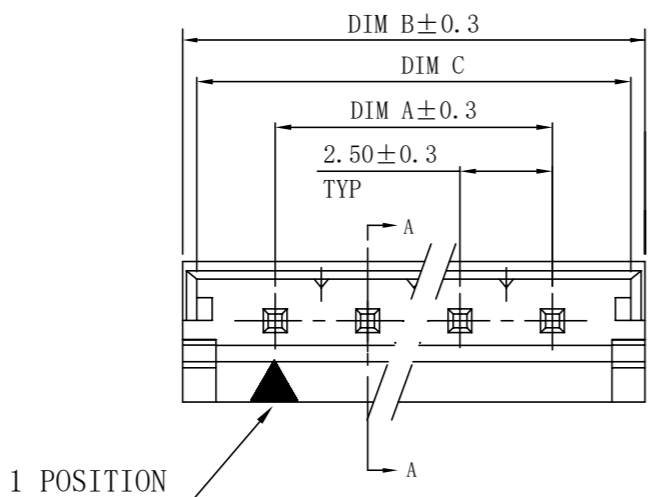
RELEASED FOR PUBLICATION

REVISIONS

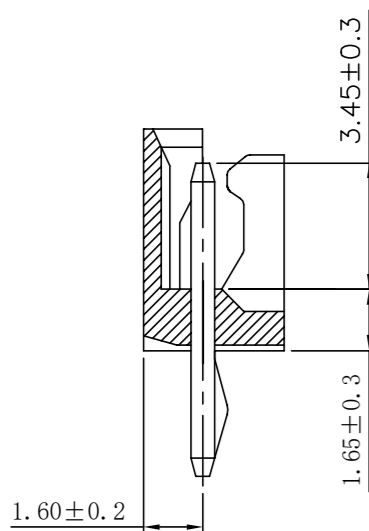
© COPYRIGHT - By -

ALL RIGHTS RESERVED.

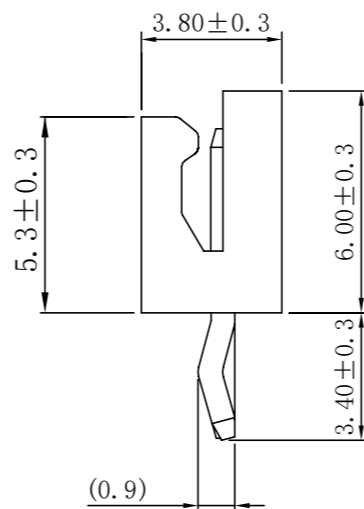
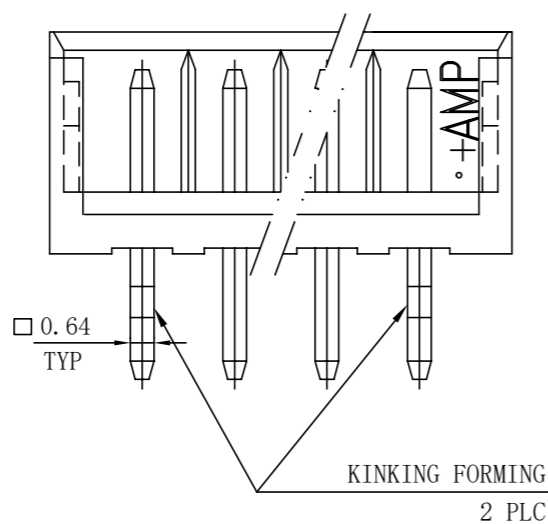
P	LTR	DESCRIPTION	DATE	DWN	APVD
	C8	ECR-20-004633	19MAR2020	T.Q	W.H



RECOMMEND PCB LAYOUT (PCB THK=1.0~1.6)



SECTION A-A



FOR 3P TO 15P

DIM C	DIM B	DIM A	CIRCUITS	HOUSING COLOR	PART NUMBER
14.2	15.0	10.00	4P	YELLOW	5-440052-3
14.2	15.0	10.00	4P	NATURAL	5-440052-2
9.2	10.0	5.00	2P	NATURAL	5-440052-1
14.2	15.0	10.00	3P	NATURAL	4-440052-5
39.2	40.0	35.00	15P	NATURAL	1-440052-5
36.7	37.5	32.50	14P	NATURAL	1-440052-4
34.2	35.0	30.00	13P	NATURAL	1-440052-3
31.7	32.5	27.50	12P	NATURAL	1-440052-2
29.2	30.0	25.00	11P	NATURAL	1-440052-1
26.7	27.5	22.50	10P	NATURAL	1-440052-0
24.2	25.0	20.00	9P	NATURAL	440052-9
21.7	22.5	17.50	8P	NATURAL	440052-8
19.2	20.0	15.00	7P	NATURAL	440052-7
16.7	17.5	12.50	6P	NATURAL	440052-6
14.2	15.0	10.00	5P	NATURAL	440052-5
11.7	12.5	7.50	4P	NATURAL	440052-4
9.2	10.0	5.00	3P	NATURAL	440052-3
6.7	7.5	2.50	2P	NATURAL	440052-2

- 5. PART 5-440052-1 IS PART 440052-3 BUT 2ND PIN REMOVED.
- 6. PART 5-440052-2 IS PART 440052-5 BUT 4TH PIN REMOVED.
- △ 0% MATERIAL REGRIND PARTS
- 8. PART 5-440052-3 IS PART 440052-5 BUT 3RD PIN REMOVED.

NOTE:

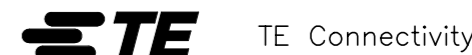
- 1. MATERIAL : HOUSING : THERMOPLASTIC UL94V-0, COLOR: SEE TABLE. CONTACT : BRASS.
- 2. FINISH: CONTACT : 80u" MIN. TIN PLATED ON CONTACT AREA.
- 3. WHEN EXTRACTING RECEPTACLE HOUSING FROM HEADER, NOT WIRE BUT RECEPTACLE HOUSING SHOULD BE CRIPED IN OEDER TO AVOID THE WIRE BREAKAGE.
- 4. PART 4-440052-5 IS PART 440052-5 WITH PIN 2 AND 4 REMOVED.

THIS DRAWING IS A CONTROLLED DOCUMENT.

DIMENSIONS:	TOLERANCES UNLESS OTHERWISE SPECIFIED:
mm	
	0 PLC ± 0.5
	1 PLC ± 0.3
	2 PLC ± 0.2
	3 PLC ± 0.15
	4 PLC ± -
	ANGLES ± -

MATERIAL	FINISH
-	-

DWN	O. HU	09JUN2003
CHK	A. WU	09JUN2003
APVD	J. CHENG	09JUN2003
PRODUCT SPEC	108-57099	
APPLICATION SPEC	-	
WEIGHT	-	
CUSTOMER DRAWING		



2.5 MM PITCH HPI VERTICAL POST HEADERS

SIZE	CAGE CODE	DRAWING NO	RESTRICTED TO
A3	00779	C=440052	-
SCALE	SHEET	REV	
1:1	1 of 5	C8	

4

3

2

1

THIS DRAWING IS UNPUBLISHED.

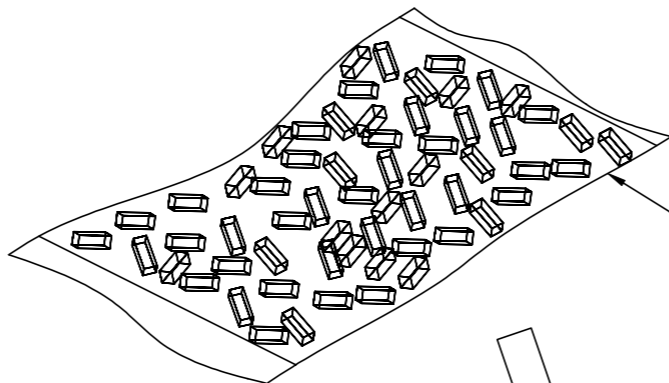
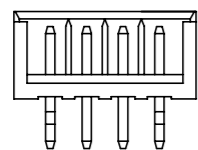
RELEASED FOR PUBLICATION

ALL RIGHTS RESERVED.

© COPYRIGHT - By -

REVISIONS

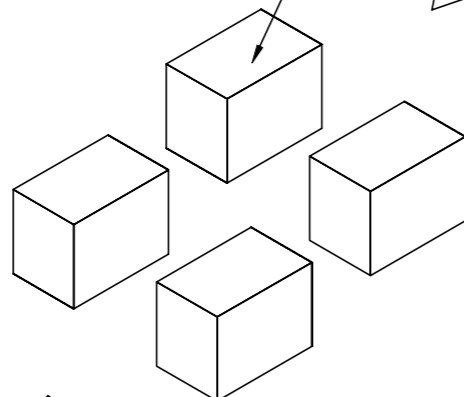
P	LTR	DESCRIPTION	DATE	DWN	APVD
-	-	SEE SHEET 1	-	-	-



POLY BAG
127mm (L) X 203mm (W) X 0.07mm (H)

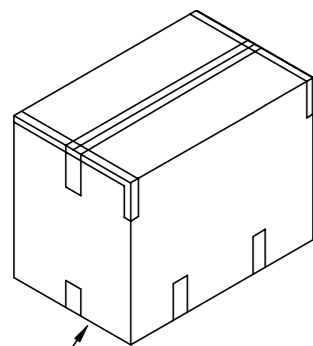
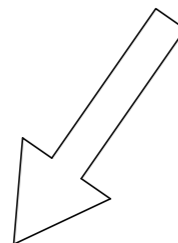
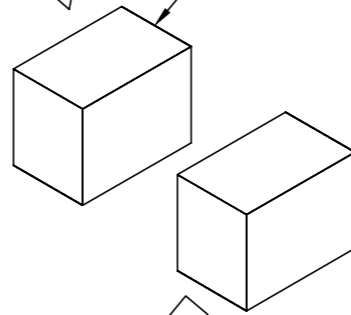


INEER BOX

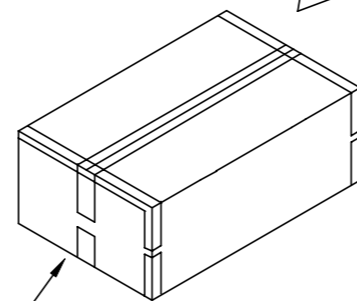


320mm (L) X 220mm (W) X 140mm (H)

INEER BOX
320mm (L) X 220mm (W) X 140mm (H)



CARTON
340mm (L) X 470mm (W) X 316mm (H)
(FOR HEADER 6P~16P ONLY)



CARTON
340mm (L) X 470mm (W) X 168mm (H)
(FOR HEADER 2P~5P ONLY)

QTY	PLC	CIRCUITS	PRODUCT SPEC	HOUSING COLOR	PART NUMBER
20,000	500	4P	3-440052-5	YELLOW	5-440052-2
20,000	500	4P	3-440052-4	NATURAL	5-440052-2
30,000	750	2P	3-440052-3	NATURAL	5-440052-1
20,000	500	3P	3-440052-2	NATURAL	4-440052-5
12,960	180	15P	3-440052-1	NATURAL	1-440052-5
12,000	200	14P	3-440052-0	NATURAL	1-440052-4
14,400	200	13P	2-440052-9	NATURAL	1-440052-3
16,000	250	12P	2-440052-8	NATURAL	1-440052-2
16,000	250	11P	2-440052-7	NATURAL	1-440052-1
20,000	250	10P	2-440052-6	NATURAL	1-440052-0
21,600	300	9P	2-440052-5	NATURAL	440052-9
25,200	350	8P	2-440052-4	NATURAL	440052-8
28,000	350	7P	2-440052-3	NATURAL	440052-7
35,000	350	6P	2-440052-2	NATURAL	440052-6
20,000	500	5P	2-440052-1	NATURAL	440052-5
24,000	600	4P	2-440052-0	NATURAL	440052-4
30,000	750	3P	2-440052-9	NATURAL	440052-3
36,000	1,000	2P	2-440052-8	NATURAL	440052-2
AP (PCS CARTON)	PP (PCS BAG)	CIRCUITS	HOUSING COLOR		
			PART NUMBER		

THIS DRAWING IS A CONTROLLED DOCUMENT.

DWN	O. HU	09JUN2003	STE TE Connectivity
CHK	A. WU	09JUN2003	
APVD	J. CHENG	09JUN2003	NAME
PRODUCT SPEC			2.5 MM PITCH HPI VERTICAL POST HEADERS
APPLICATION SPEC			
WEIGHT 0.000000			SIZE A3
CUSTOMER DRAWING			CAGE CODE 00779
			DRAWING NO C=440052
			RESTRICTED TO
			SCALE 1:1
			SHEET 2 of 5
			REV C8

DIMENSIONS:	TOLERANCES UNLESS OTHERWISE SPECIFIED:
mm	
	0 PLC ± -
	1 PLC ± -
	2 PLC ± -
	3 PLC ± -
	4 PLC ± -
	ANGLES ± -
MATERIAL -	FINISH -

4

3

2

1

THIS DRAWING IS UNPUBLISHED.

RELEASED FOR PUBLICATION


-- --

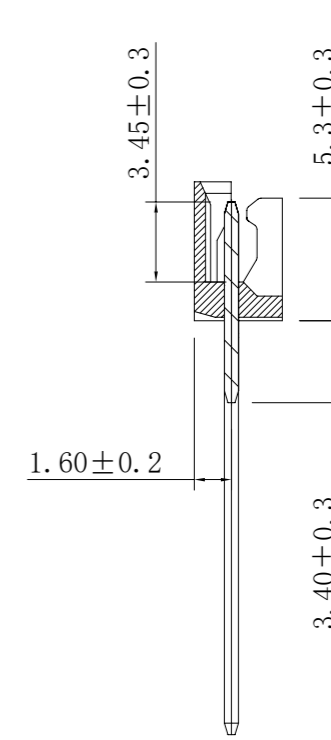
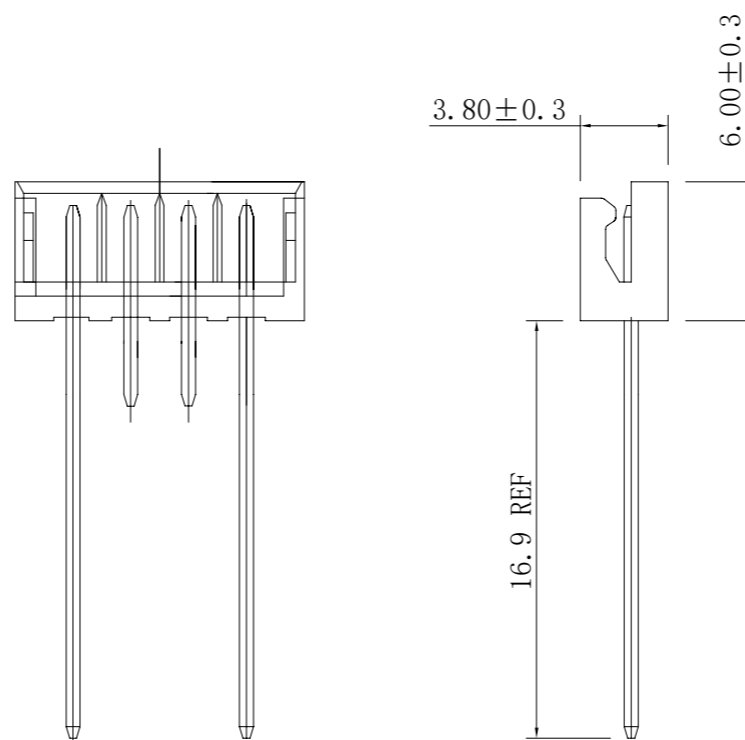
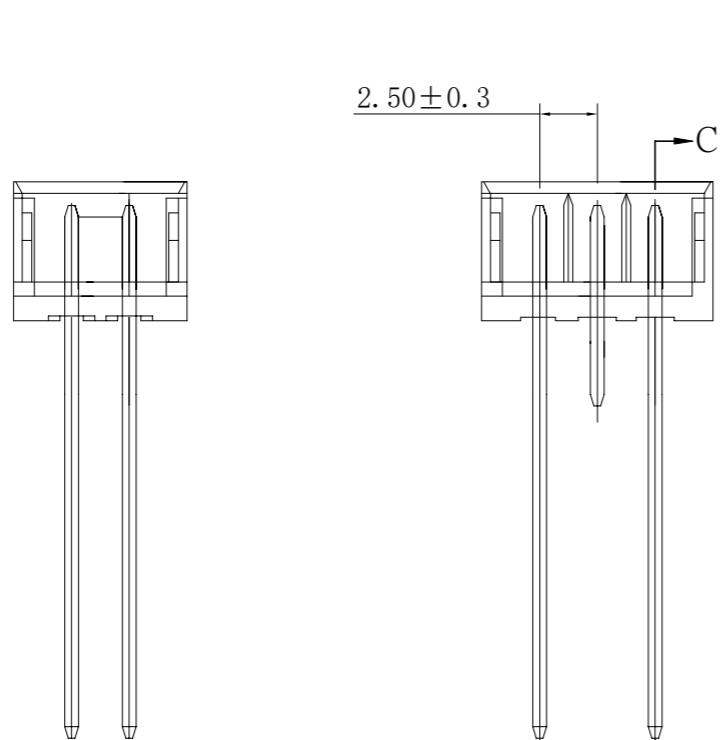
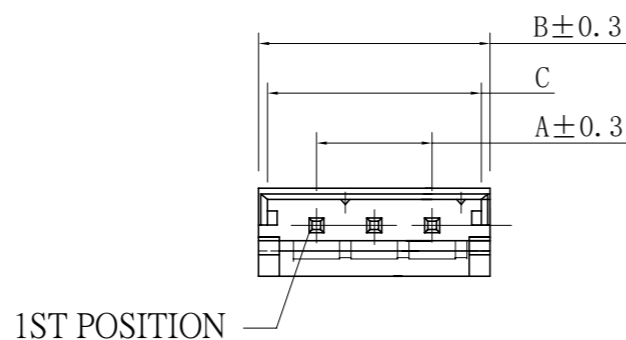
REVISIONS

© COPYRIGHT - By -

ALL RIGHTS RESERVED.

P	LTR	DESCRIPTION	DATE	DWN	APVD
-	-	SEE SHEET 1	-	-	-

					
11.7	12.5	7.50	4P	8-440052-4	4-440052-4
9.2	10.0	5.00	3P	8-440052-3	4-440052-3
6.7	7.5	2.50	2P	8-440052-2	4-440052-2
C	B	A	POS	P/N	P/N



2POS


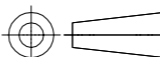
3POS

4POS

SECTION:C-C

NOTE:

- MATERIAL :
HOUSING : THERMOPLASTIC UL94V-0,
COLOR: NATURAL.
CONTACT : BRASS.
- FINISH:
CONTACT : 80u" MIN. TIN PLATED ON CONTACT AREA.
- WHEN EXTRACTING RECEPTACLE HOUSING FROM HEADER,
NOT WIRE BUT RECEPTACLE HOUSING SHOULD BE
CRIPED IN OEDER TO AVOID THE WIRE BREAKAGE.

THIS DRAWING IS A CONTROLLED DOCUMENT.		DWN O. HU 09JUN2003	 TE Connectivity		
		CHK A. WU 09JUN2003			
DIMENSIONS: mm		APVD J. CHENG 09JUN2003	NAME		
		TOLERANCES UNLESS OTHERWISE SPECIFIED:		PRODUCT SPEC	
		0 PLC ± 0.5 1 PLC ± 0.3 2 PLC ± 0.2 3 PLC ± 0.15 4 PLC ± - ANGLES ± -		108-57099	
MATERIAL		FINISH		APPLICATION SPEC	
-		-		-	
WEIGHT 0.000000			SIZE A3	CAGE CODE 00779	DRAWING NO C=440052
CUSTOMER DRAWING			SCALE 1:1	SHEET 3 of 5	RESTRICTED TO -
				REV C8	

THIS DRAWING IS UNPUBLISHED.

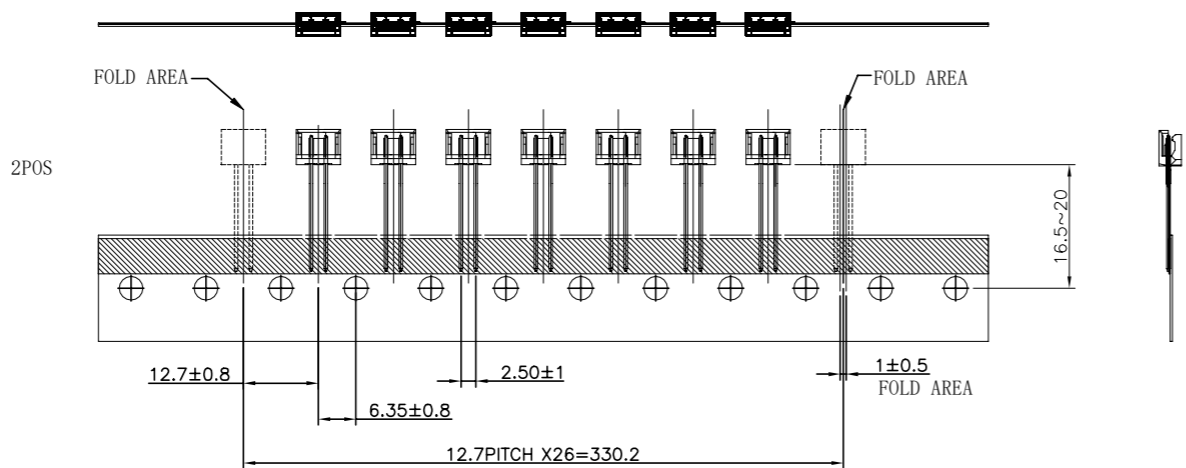
RELEASED FOR PUBLICATION

ALL RIGHTS RESERVED.

© COPYRIGHT - By -

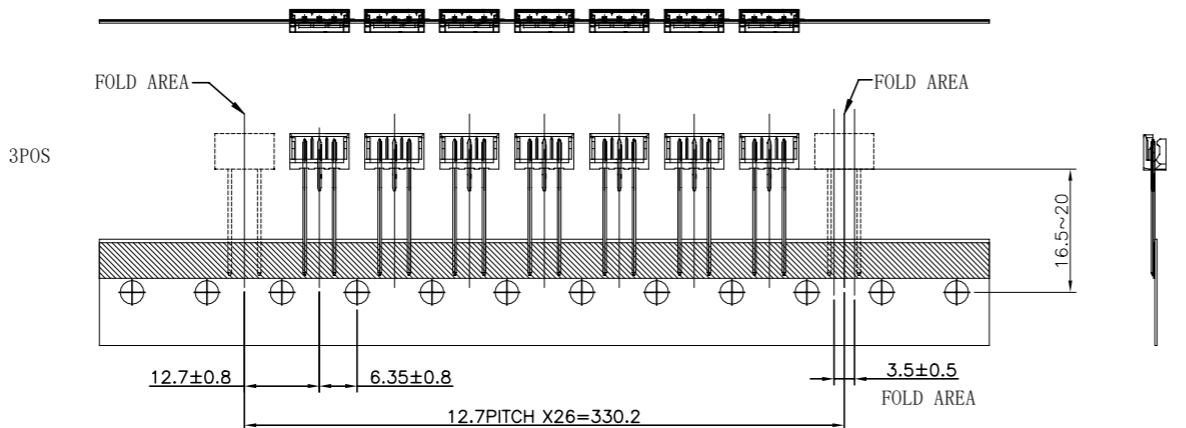
REVISIONS

P	LTR	DESCRIPTION	DATE	DWN	APVD
-	-	SEE SHEET 1	-	-	-

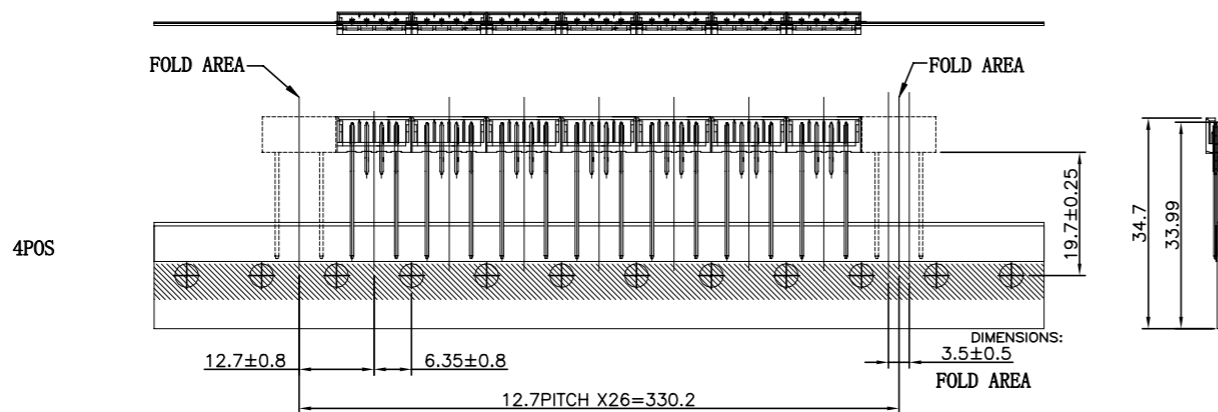


NOTES:

- 1. BRAID: 12.7PITCH*26=330.2
- 2. CATON; 342*310*42mm
- 3. QUANTITY: 2POS--1500pcs/box
3POS--1500pcs/box
4POS--720pcs/box



4P	8-440052-4	4-440052-4
3P	8-440052-3	4-440052-3
2P	8-440052-2	4-440052-2
POS	P/N	P/N



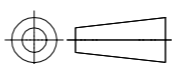
THIS DRAWING IS A CONTROLLED DOCUMENT.

DWN	O. HU	09JUN2003
CHK	A. WU	09JUN2003
APVD	J. CHENG	09JUN2003



DIMENSIONS: mm

TOLERANCES UNLESS OTHERWISE SPECIFIED:



0 PLC	± -
1 PLC	± -
2 PLC	± -
3 PLC	± -
4 PLC	± -
ANGLES	± -

MATERIAL FINISH

PRODUCT SPEC 108-57099 APPLICATION SPEC

NAME 2.5 MM PITCH HPI VERTICAL POST HEADERS

WEIGHT 0.000000

SIZE	CAGE CODE	DRAWING NO	RESTRICTED TO
A3	00779	C=440052	-

CUSTOMER DRAWING

SCALE 1:1 SHEET 4 of 5 REV C8

4

3

2

1

THIS DRAWING IS UNPUBLISHED.

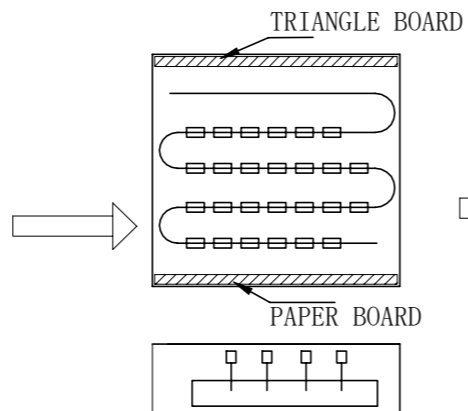
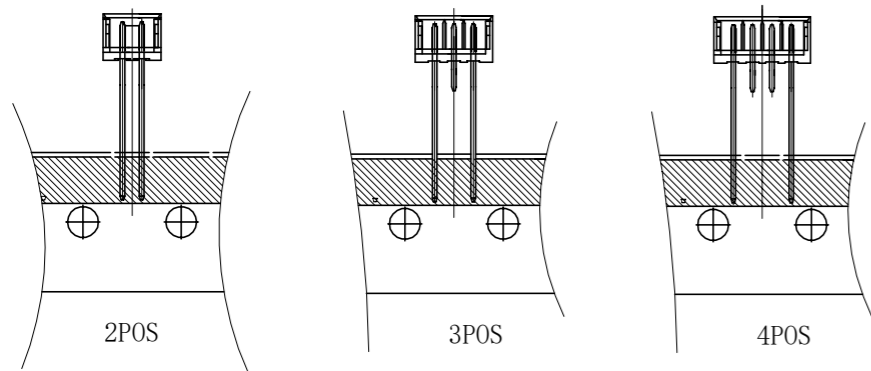
RELEASED FOR PUBLICATION

ALL RIGHTS RESERVED.

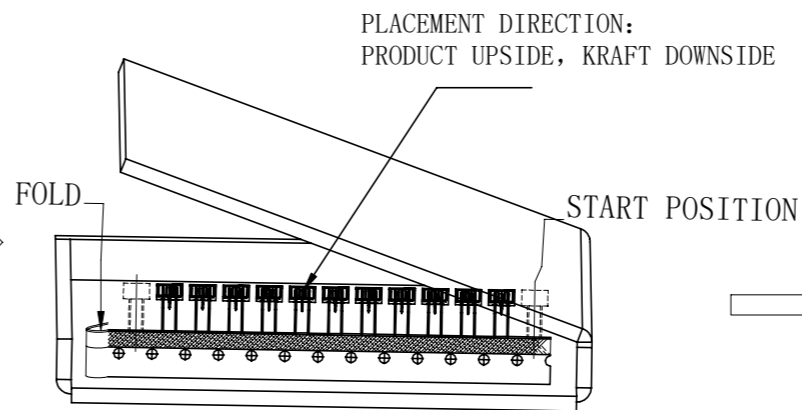
© COPYRIGHT - By -

REVISIONS

P	LTR	DESCRIPTION	DATE	DWN	APVD
-	-	SEE SHEET 1	-	-	-



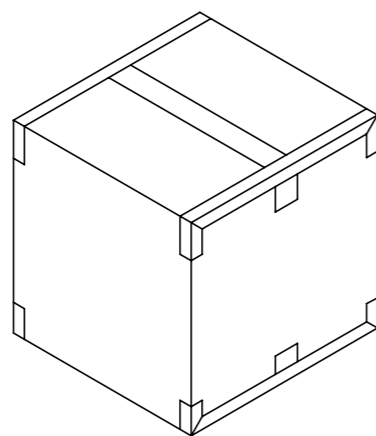
1、SPONGE:12.7PITCH*26=330.2



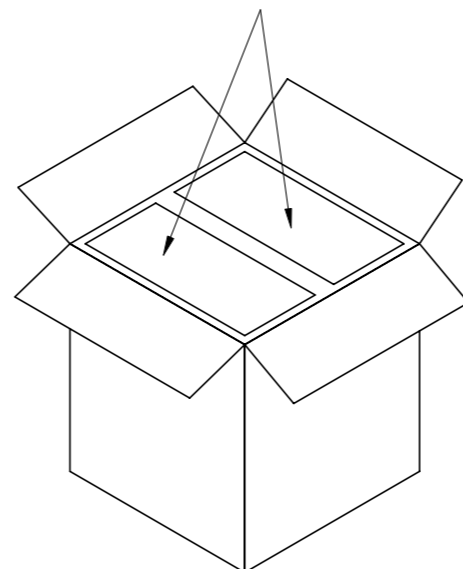
LABEL LOCATION AREA

1、QUANTITY;2POS--1500pcs/BOX
 3POS--1500pcs/BOX
 4POS--720pcs/BOX

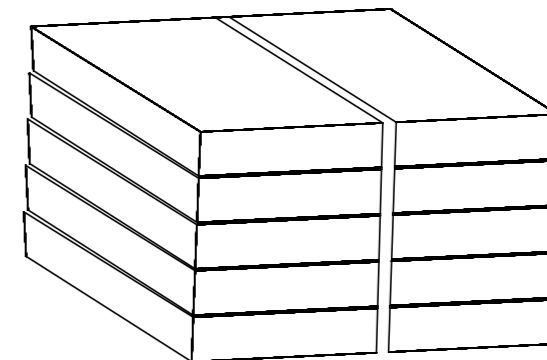
TOTAL 2 COLUMNS



QUANTITY:
 2POS&3POS:1500x10=15000PCS
 4POS:720x10=7200PCS


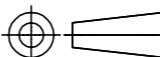


DIM: 600*370*240



1 COLUMN

4P	3P	2P	POS	P/N	P/N
8-440052-4	8-440052-3	8-440052-2			
4-440052-4	4-440052-3	4-440052-2			

THIS DRAWING IS A CONTROLLED DOCUMENT.		DWN O. HU 09JUN2003	 TE Connectivity			
DIMENSIONS: mm		CHK A. WU 09JUN2003				
TOLERANCES UNLESS OTHERWISE SPECIFIED:		APVD J. CHENG 09JUN2003	NAME			
		PRODUCT SPEC 108-57099	2.5 MM PITCH HPI VERTICAL POST HEADERS			
MATERIAL		APPLICATION SPEC	SIZE	CAGE CODE	DRAWING NO	RESTRICTED TO
FINISH		WEIGHT 0.000000	A3	00779	C=440052	-
CUSTOMER DRAWING			SCALE 1:1	SHEET 5 of 5	REV C8	

X-ON Electronics

Largest Supplier of Electrical and Electronic Components

Click to view similar products for [Headers & Wire Housings](#) category:

Click to view products by [TE Connectivity](#) manufacturer:

Other Similar products are found below :

[892-18-020-10-001101](#) [58102-G61-06LF](#) [582553-1](#) [0009485154](#) [009176003701906](#) [0050291907](#) [LY20-4P-DT1-P1E-BR](#) [02.125.8002.8](#)
[609-3404](#) [61062-3](#) [61082-181009](#) [622-3653LF](#) [63453-116](#) [636-1030](#) [636-1427](#) [636-3427](#) [636-4007](#) [641938-9](#) [641991-4](#) [644827-2](#) [65817-](#)
[010LF](#) [65817-015LF](#) [65863-015LF](#) [66207-023LF](#) [67095-007LF](#) [67601157](#) [68645-018](#) [68648-049](#) [70.362.1628.0](#) [70-4210](#) [70-4226B](#) [70-](#)
[4853B](#) [707-5020](#) [707-5028](#) [71.350.2428.0](#) [71918-208LF](#) [71961-016LF](#) [733-134](#) [733-162](#) [754199-000](#) [760-3052](#) [787-8014-00](#) [79531-3000](#)
[FCN-360C032-B](#) [FCN-367T-T012/H](#) [FCN-723D010/2](#) [80.063.4001.1](#) [800-90-001-10-001000](#) [800-90-010-10-002000](#) [801-43-002-10-013000](#)