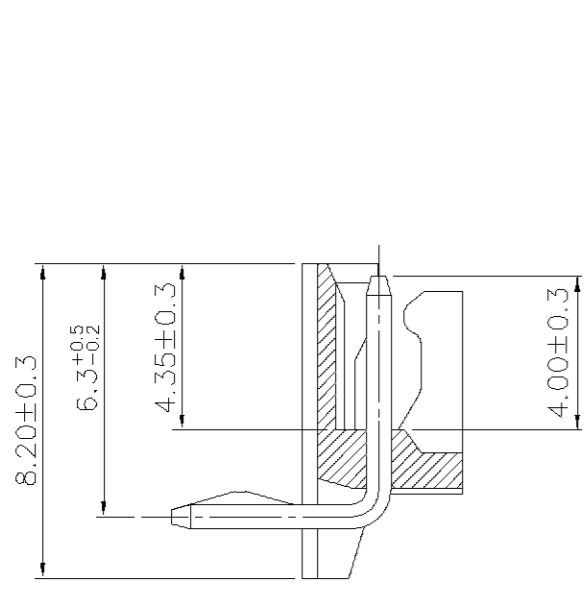


RECOMMENDED PCB LAYOUT  
( PCB THK=1.0~1.6 )

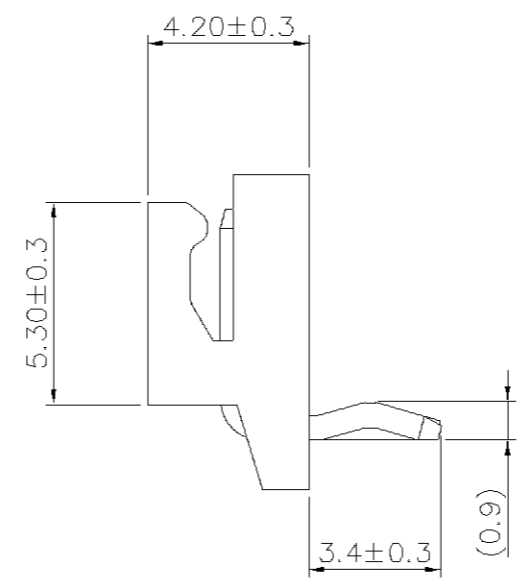
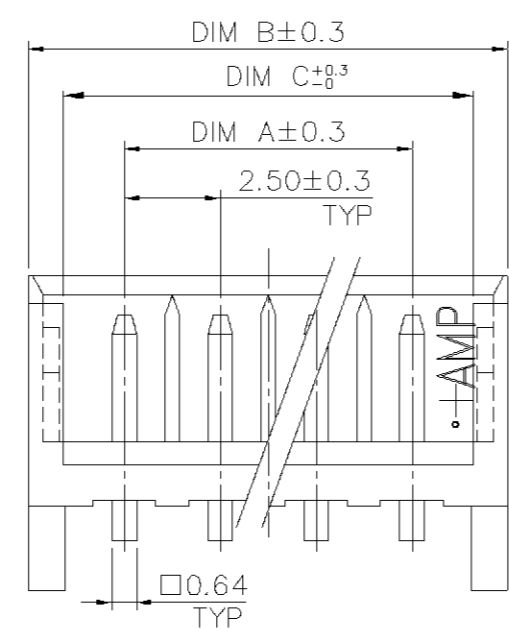
- NOTE:
- MATERIAL: POST: BRASS TIN-PLATED  
HOUSING: NYLON 66 UL 94V-0
  - WHEN EXTRACTING RECEPTACLE HOUSING FROM HEADER, NOT WIRE BUT RECEPTACLE HOUSING SHOULD BE GRIPED IN ORDER TO AVOID THE WIRE BREAKAGE.

**3** OBSOLETE PARTS: OBSOLETE CIS STREAMLINING PER D.RENAUD/D.SINISI

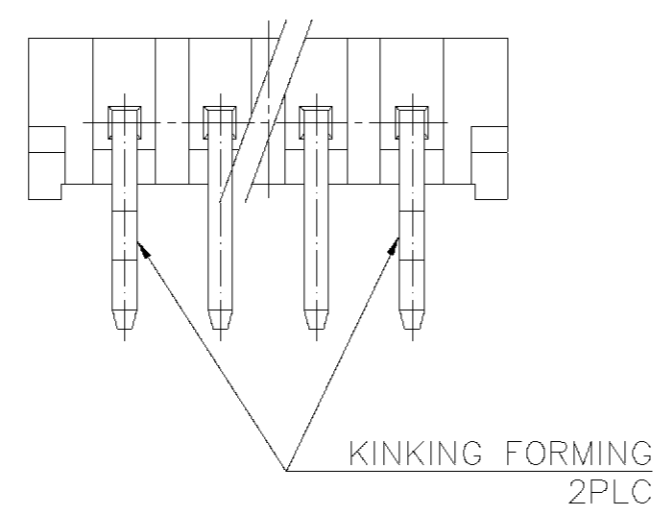
**4** PART 9-440053-2 IS PART 440053-3 BUT 2ND PIN REMOVED.



SEC. A-A



FOR 3P TO 15P



DIM C	DIM B	DIM A	CIRCUITS	PATR NO.
8.2	10.0	5.00	2P	9-440053-2
<b>3</b> OBSOLETE	38.2	40.0	15P	<del>1-440053-5</del>
	35.7	37.5	14P	1-440053-4
	33.2	35.0	13P	1-440053-3
	30.7	32.5	12P	1-440053-2
	28.2	30.0	11P	1-440053-1
	25.7	27.5	10P	1-440053-0
	23.2	25.0	9P	440053-9
	20.7	22.5	8P	440053-8
	18.2	20.0	7P	440053-7
	15.7	17.5	6P	440053-6
	13.2	15.0	5P	440053-5
	10.7	12.5	4P	440053-4
	8.2	10.0	3P	440053-3
	5.7	7.5	2P	440053-2

DIMENSION : 0 PLC ± 1 PLC ± 2 PLC ± 3 PLC ± ANGLES ±		DR. A. WU 31-JAN-2001 CHK. J. CHENG 31-JAN-2001 APP. J. WU 31-JAN-2001	<b>TE</b> TE Connectivity NAME 2.5 MM PITCH HPI RIGHT-ANGLE POST HEADERS.	
MATERIAL SEE NOTE		PRODUCT SPEC 108-57099	LOC DW A <sub>3</sub>	DRAWING NO C-440053 REV A3
FINISH SEE NOTE		APPLICATION SPEC	SCALE --	SHEET 1 OF 1

A3	ECR-18-001415	TQ	30JAN18
LTR	REVISION RECORD	DR	DATE

## X-ON Electronics

Largest Supplier of Electrical and Electronic Components

*Click to view similar products for te connectivity manufacturer:*

Other Similar products are found below :

[570416-000](#) [CLTEQ-M81CE-SSRELAY-4-20V](#) [D38999/24FJ4AN](#) [358838-000](#) [4-1195131-0](#) [650069-000](#) [SMD100-2](#) [CB-1022B-78](#)  
[RM707012](#) [RP410012](#) [MMS42](#) [1-640426-8](#) [2EDL4CM](#) [DTS20W19-11PD-3028-LC](#) [RM202615](#) [NC6-P104-06](#) [MSPS103B](#) [DTS26F21-41AE](#) [DTS26F21-41PE-LC](#) [DTS26F21-11SE-3028-LC](#) [1932144-1](#) [293545-4](#) [LVR125S](#) [MS27466T25F4PB](#) [CKB-38-78010](#)  
[1206SFF150F/63-2](#) [D38999/20JB35HA](#) [D38999/24WJ20PA](#) [1754138-1](#) [TE1500A2R2J](#) [DTS24F25-29PC-3028-LC](#) [D38999/24WG11HA](#)  
[D38999/24WG11HN](#) [MS27467T21F11H](#) [DJT16E21-11HA](#) [1206SFH150F/24-2](#) [DTS24F19-11SC-3028-LC](#) [DTS24F21-41HN-LC](#)  
[DTS24F21-41AN](#) [DTS24F21-41PN-LC](#) [RP330024](#) [MS27467T21F35J](#) [MS27467T21F11J](#) [MS27467T21F16H-LC](#) [MS27467T21F35H](#)  
[MS27467T21F41H-LC](#) [DJT16E21-11PA-LC](#) [DJT16E21-11HA-LC](#) [DJT16E21-11AA](#) [MS27467T21B11JA](#)