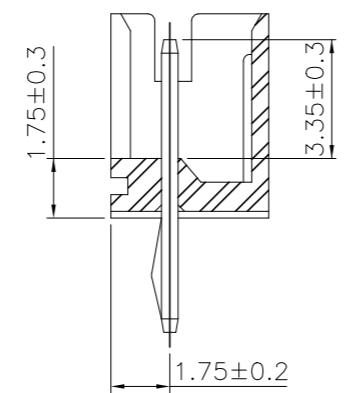
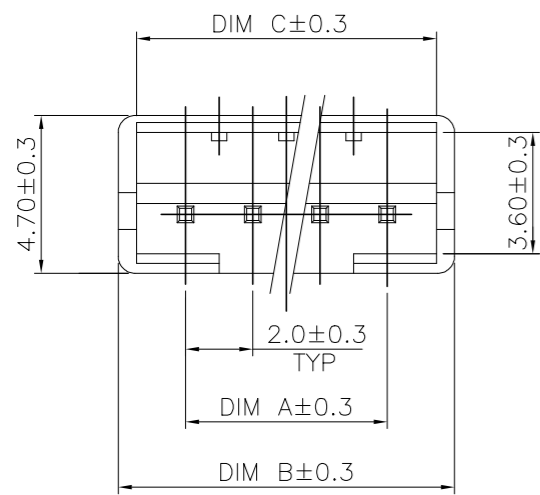
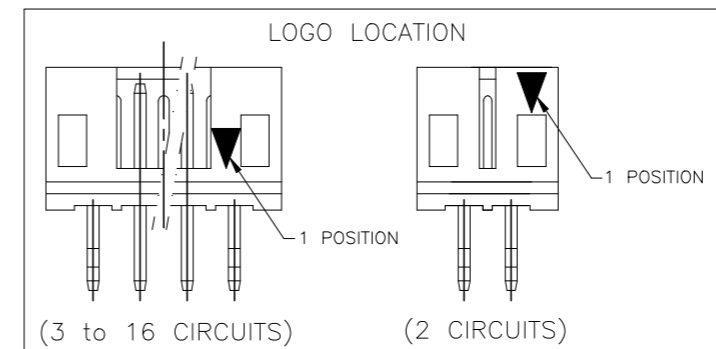
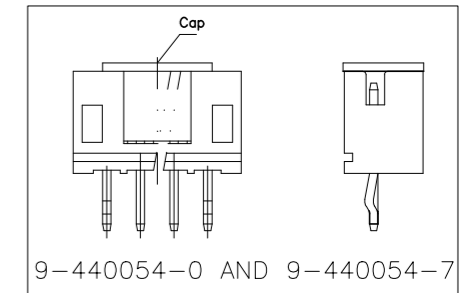


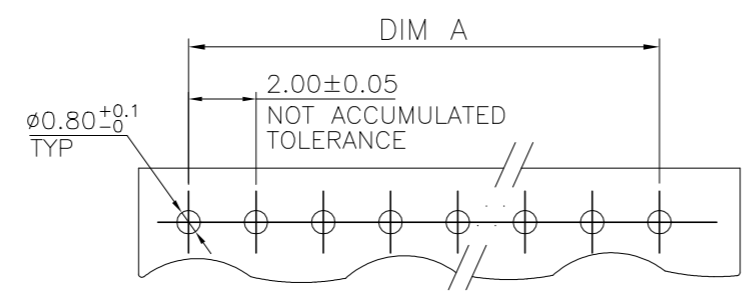
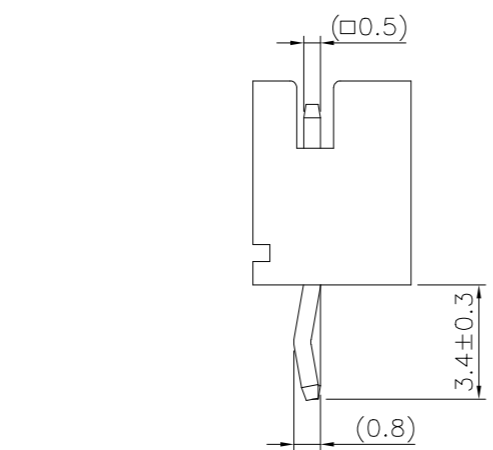
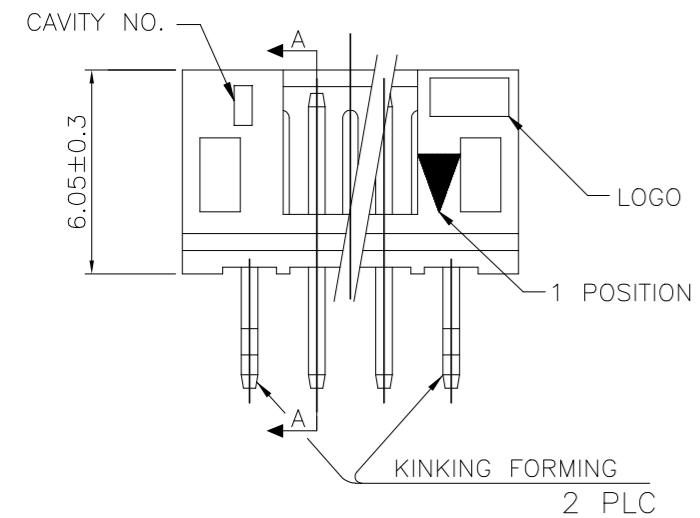
LOC DW	DIST	REVISIONS		
P	LTR	DESCRIPTION	DATE	DWN APVD
	F7	ECR-19-019509	06JAN20	T.Q W.H



- NOTES:  
 1. MATERIAL:  
 HOUSING: NYLON 66, UL94V-0, COLOR: SEE TABLE.  
 CONTACT: BRASS, THICKNESS=0.50mm.  
 2. FINISH:  
 2.03um[80u"] MIN. BRIGHT-TIN PLATING ON CONTACT.  
 1.27um[50u"] MIN. NICKEL ENTIRE CONTACT UNDERPLATED.  
 3. WAVE SOLDER CAPABLE TO 245°C PER TEST SPEC.  
 109-202, CONDITION B.  
 4. RAISED TYPE PN: 9-440054-2



OBsolete  
 OBsolete



RECOMMENDED PCB LAYOUT (PCB THK=1.0~1.6)

OBsolete	RED	10.90	12.00	8.00	5P	8-440054-9
		8.90	10.00	6.00	4P	8-440054-8
OBsolete	BLACK	6.90	8.00	4.00	3P	8-440054-7
		4.90	6.00	2.00	2P	8-440054-6
OBsolete	YELLOW	10.90	12.00	8.00	5P	4-440054-9
		8.90	10.00	6.00	4P	4-440054-8
OBsolete	BLUE	6.90	8.00	4.00	3P	4-440054-7
		4.90	6.00	2.00	2P	4-440054-6
OBsolete	NATURAL WHITE	10.90	12.00	8.00	5P	2-440054-9
		8.90	10.00	6.00	4P	2-440054-8
OBsolete	TUBE	6.90	8.00	4.00	3P	2-440054-7
		4.90	6.00	2.00	2P	2-440054-6
OBsolete	POLY BAG	32.90	34.00	30.00	16P	5-440054-6
		30.90	32.00	28.00	15P	5-440054-5
OBsolete	POLY BAG	28.90	30.00	26.00	14P	5-440054-4
		26.90	28.00	24.00	13P	5-440054-3
OBsolete	POLY BAG	24.90	26.00	22.00	12P	5-440054-2
		22.90	24.00	20.00	11P	5-440054-1
OBsolete	POLY BAG	20.90	22.00	18.00	10P	5-440054-0
		18.90	20.00	16.00	9P	3-440054-9
OBsolete	POLY BAG	16.90	18.00	14.00	8P	3-440054-8
		14.90	16.00	12.00	7P	3-440054-7
OBsolete	POLY BAG	12.90	14.00	10.00	6P	3-440054-6
		10.90	12.00	8.00	5P	3-440054-5
OBsolete	POLY BAG	8.90	10.00	6.00	4P	3-440054-4
		6.90	8.00	4.00	3P	3-440054-3
OBsolete	POLY BAG	4.90	6.00	2.00	2P	3-440054-2
		2.90	4.00	2.00	2P	3-440054-1

TAP REEL	NATURAL WHITE	14.90	16.00	12.00	7P	9-440054-7
	BROWN	10.90	12.00	8.00	5P	4-440054-1
TAP REEL	GREEN	22.90	24.00	20.00	11P	9-440054-3
		10.90	12.00	8.00	5P	9-440054-6
TAP REEL	BLUE	8.90	10.00	6.00	4P	3-440054-1
		6.90	8.00	4.00	3P	440054-1
TAP REEL	RED	18.90	20.00	16.00	9P	2-440054-1
		16.90	18.00	14.00	8P	2-440054-0
TAP REEL	BLACK	16.90	18.00	14.00	8P	8-440054-0
		10.90	12.00	8.00	5P	8-440054-5
TAP REEL	POLY BAG	8.90	10.00	6.00	4P	8-440054-4
		6.90	8.00	4.00	3P	8-440054-3
TAP REEL	POLY BAG	4.90	6.00	2.00	2P	8-440054-2
		10.90	12.00	8.00	5P	6-440054-5
TAP REEL	POLY BAG	8.90	10.00	6.00	4P	6-440054-4
		6.90	8.00	4.00	3P	6-440054-3
TAP REEL	POLY BAG	4.90	6.00	2.00	2P	6-440054-2
		24.90	26.00	22.00	12P	7-440054-6
TAP REEL	POLY BAG	22.90	24.00	20.00	11P	7-440054-5
		20.90	22.00	18.00	10P	7-440054-4
TAP REEL	POLY BAG	18.90	20.00	16.00	9P	7-440054-3
		16.90	18.00	14.00	8P	7-440054-2
TAP REEL	POLY BAG	14.90	16.00	12.00	7P	7-440054-1
		12.90	14.00	10.00	6P	7-440054-0
TAP REEL	POLY BAG	10.90	12.00	8.00	5P	4-440054-5
		8.90	10.00	6.00	4P	4-440054-4
TAP REEL	POLY BAG	6.90	8.00	4.00	3P	4-440054-3
		4.90	6.00	2.00	2P	4-440054-2
TAP REEL	POLY BAG	20.90	22.00	18.00	10P	9-440054-0
		32.90	34.00	30.00	16P	1-440054-6
TAP REEL	POLY BAG	30.90	32.00	28.00	15P	1-440054-5
		28.90	30.00	26.00	14P	1-440054-4
TAP REEL	POLY BAG	26.90	28.00	24.00	13P	1-440054-3
		24.90	26.00	22.00	12P	1-440054-2
TAP REEL	POLY BAG	22.90	24.00	20.00	11P	1-440054-1
		20.90	22.00	18.00	10P	1-440054-0
TAP REEL	POLY BAG	18.90	20.00	16.00	9P	440054-9
		16.90	18.00	14.00	8P	440054-8
TAP REEL	POLY BAG	14.90	16.00	12.00	7P	440054-7
		12.90	14.00	10.00	6P	440054-6
TAP REEL	POLY BAG	10.90	12.00	8.00	5P	440054-5
		8.90	10.00	6.00	4P	440054-4
TAP REEL	POLY BAG	6.90	8.00	4.00	3P	440054-3
		4.90	6.00	2.00	2P	440054-2

THIS DRAWING IS A CONTROLLED DOCUMENT.

DIMENSIONS: MM	TOLERANCES UNLESS OTHERWISE SPECIFIED:	DWN O. HU 16JUL2004	TE Connectivity
0 PLC ± - 1 PLC ± 0.3 2 PLC ± 0.2 3 PLC ± 0.15 4 PLC ± - ANGLES ± 3°	SEE NOTE	CHK S. HOU 16JUL2004	
MATERIAL: SEE NOTE	FINISH: SEE NOTE	APVD W.J. KE 16JUL2004	NAME
		PRODUCT SPEC: 108-57100	2.0 MM PITCH HPI VERTICAL POST HEADERS
		APPLICATION SPEC	RESTRICTED TO
		WEIGHT: - GRAMS	SIZE: A3
		CUSTOMER DRAWING	CAGE CODE: 00779
			DRAWING NO: C=440054
			SCALE: -
			SHEET: 1 of 9
			REV: F7

4

3

2

1

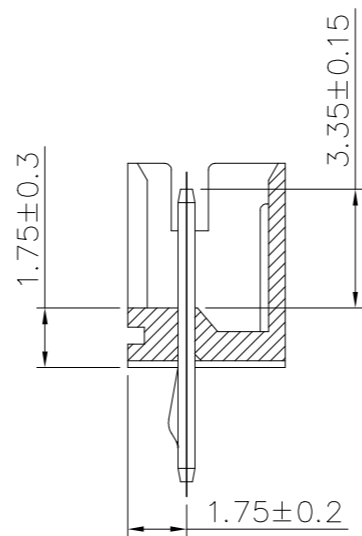
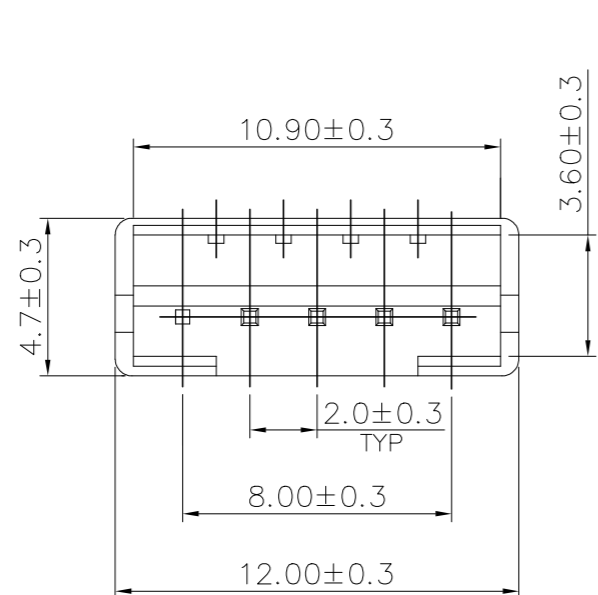
THIS DRAWING IS UNPUBLISHED. RELEASED FOR PUBLICATION AUG ,2006. ALL RIGHTS RESERVED.

© COPYRIGHT 2009 BY TYCO ELECTRONICS CORPORATION.

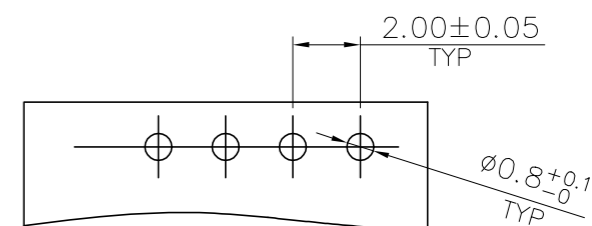
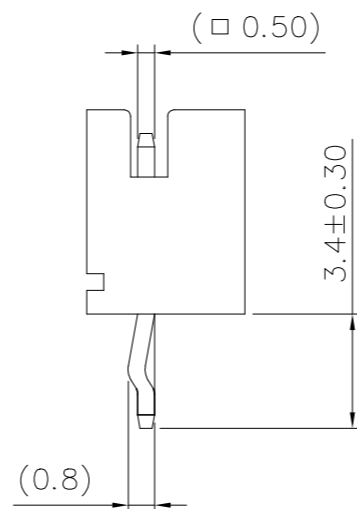
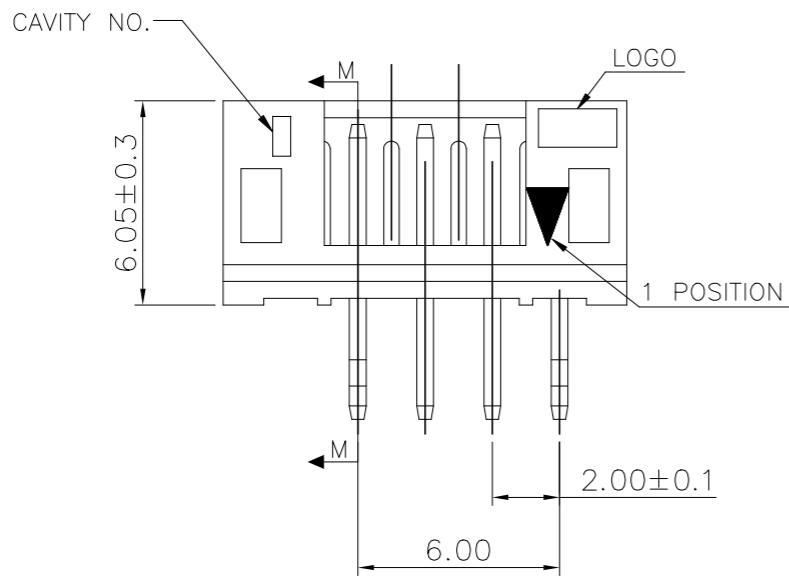
LOC DW DIST

REVISIONS

P	LTR	DESCRIPTION	DATE	DWN	APVD
		SEE SHEET 1.			



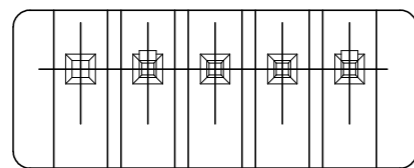
SECTION M-M



RECOMMENDED PCB LAYOUT (PCB THK=1.0~1.6mm)

POLY BAG	NATURAL WHITE	PIN 5	4P	9-440054-5
PACKAGE	COLOR	PIN NUMBER LACKED	POS.	PART NUMBER

THIS DRAWING IS A CONTROLLED DOCUMENT.		DWN	<b>STE</b> TE Connectivity		
DIMENSIONS: MM		CHK			
TOLERANCES UNLESS OTHERWISE SPECIFIED:		APVD	NAME		
0 PLC ± -		PRODUCT SPEC	2.0 MM PITCH HPI VERTICAL POST HEADERS		
1 PLC ± 0.3		APPLICATION SPEC	SIZE	CAGE CODE	DRAWING NO
2 PLC ± 0.2		WEIGHT	A3	00779	C=440054
3 PLC ± 0.15		CUSTOMER DRAWING	RESTRICTED TO		REV F7
4 PLC ± -		SCALE	SHEET 2 OF 9		
ANGLES ± 3'					
MATERIAL	FINISH				
SEE NOTE (PAGE 1.)	SEE NOTE (PAGE 1.)				



4

3

2

1

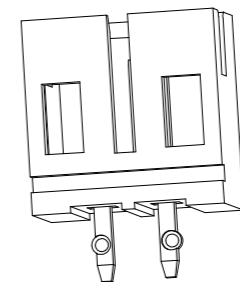
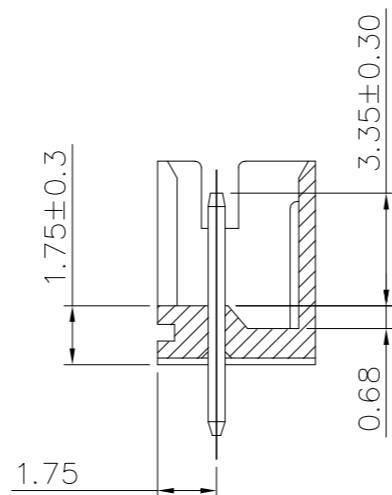
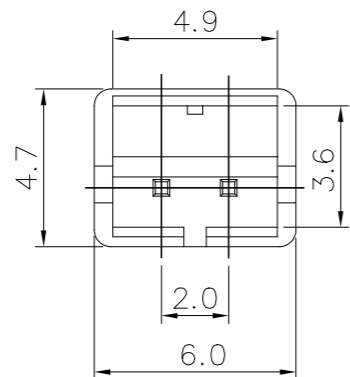
THIS DRAWING IS UNPUBLISHED. RELEASED FOR PUBLICATION AUG ,2006.

© COPYRIGHT 2009 BY TYCO ELECTRONICS CORPORATION. ALL RIGHTS RESERVED.

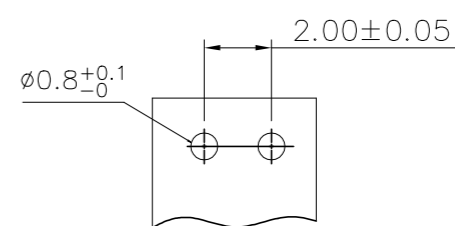
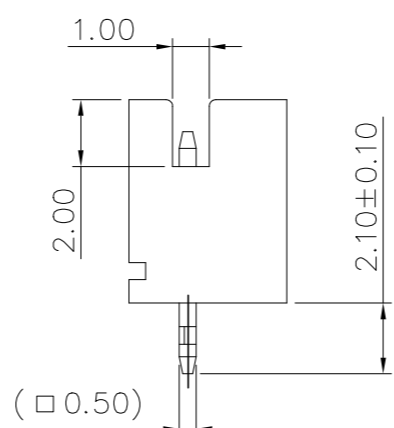
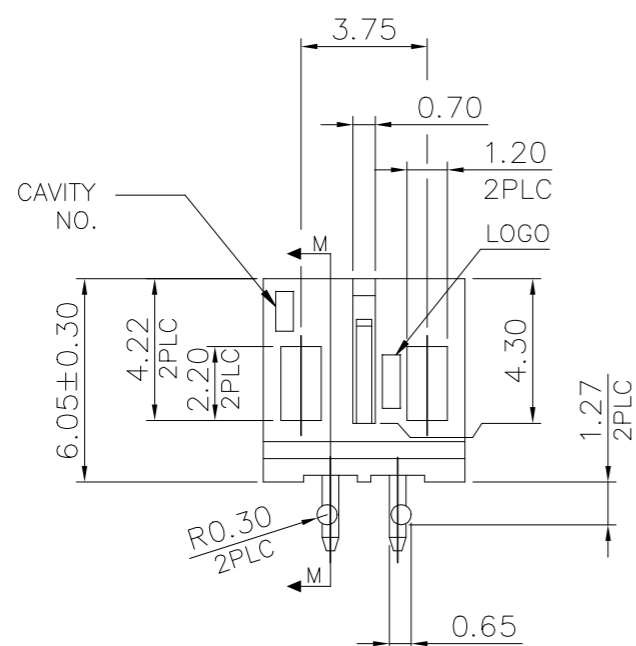
LOC DW DIST

REVISIONS

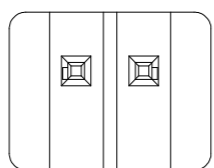
P	LTR	DESCRIPTION	DATE	DWN	APVD
		SEE SHEET 1.			



SECTION M-M



RECOMMENDED PCB LAYOUT (PCB THK=1.0MM~1.6MM)

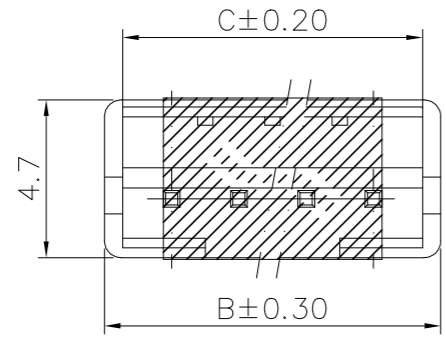


POLY BAG	NATURAL WHITE	2P	9-440054-2
PACKAGE	COLOR	POS.	PART NUMBER

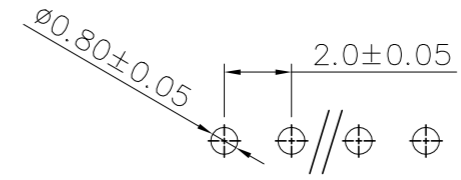
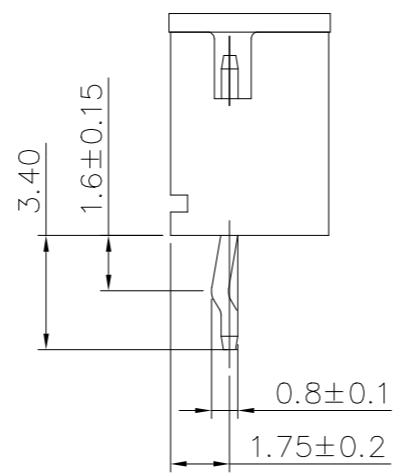
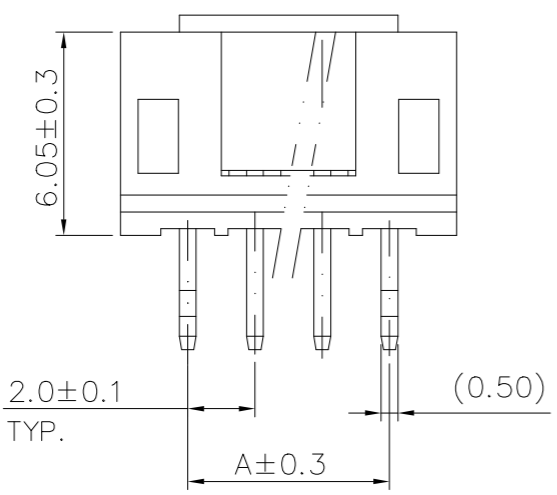
THIS DRAWING IS A CONTROLLED DOCUMENT.		DWN	<b>STE</b> TE Connectivity	
DIMENSIONS: MM		CHK		
TOLERANCES UNLESS OTHERWISE SPECIFIED:		APVD	NAME	
0 PLC ± -		PRODUCT SPEC	2.0 MM PITCH HPI VERTICAL POST HEADERS	
1 PLC ± 0.3		APPLICATION SPEC	SIZE	CAGE CODE
2 PLC ± 0.2		WEIGHT	A3	00779
3 PLC ± 0.15		CUSTOMER DRAWING	DRAWING NO. C=440054	
4 PLC ± -		SCALE	RESTRICTED TO	
ANGLES ± 3'		SHEET	REV	
MATERIAL SEE NOTE (PAGE 1.)	FINISH SEE NOTE (PAGE 1.)	3 OF 9	F7	

THIS DRAWING IS UNPUBLISHED. RELEASED FOR PUBLICATION AUG ,2006.  
 © COPYRIGHT 2009 BY TYCO ELECTRONICS CORPORATION. ALL RIGHTS RESERVED.

LOC	DIST	REVISIONS			
P	LTR	DESCRIPTION	DATE	DWN	APVD
		SEE SHEET 1.			



- NOTES:
- MATERIAL:  
HOUSING: NYLON 6T, UL94V-0, COLOR: SEE TABLE.  
CONTACT: BRASS, THICKNESS=0.50mm.
  - FINISH:  
2.03um[80u"] MIN. BRIGHT-TIN PLATING ON CONTACT.  
1.27um[50u"] MIN. NICKEL ENTIRE CONTACT UNDERPLATED.
  - (SMT) REFLOW PROCESS NEED AFFORD 260°C.



RECOMMENDED PCB LAYOUT  
(PCB THK=1.0MM~1.6MM)

WITHOUT	TAPE REEL	NATURAL WHITE	8.90	10.00	6.00	4P	9-440054-1
WITH	TAPE REEL	NATURAL WHITE	8.90	10.00	6.00	4P	9-440054-4
CAP	PACKAGE	COLOR	DIM C	DIM B	DIM A	POS	PART NUMBER

THIS DRAWING IS A CONTROLLED DOCUMENT.		DWN	<b>STE</b> TE Connectivity			
DIMENSIONS: MM		CHK				
TOLERANCES UNLESS OTHERWISE SPECIFIED:		APVD	NAME			
0 PLC ± -		PRODUCT SPEC	2.0 MM PITCH HPI VERTICAL POST HEADERS			
1 PLC ± 0.3		APPLICATION SPEC	SIZE	CAGE CODE	DRAWING NO	RESTRICTED TO
2 PLC ± 0.2		WEIGHT	A3	00779	C=440054	
3 PLC ± 0.15		CUSTOMER DRAWING	SCALE	SHEET	REV	
4 PLC ± -			-	4 OF 9	F7	
ANGLES ± 3'						
MATERIAL	FINISH					
SEE NOTE (PAGE 1.)	SEE NOTE (PAGE 1.)					

THIS DRAWING IS UNPUBLISHED.

RELEASED FOR PUBLICATION

AUG ,2006.

© COPYRIGHT 2009 BY TYCO ELECTRONICS CORPORATION. ALL RIGHTS RESERVED.

LOC DW DIST

REVISIONS

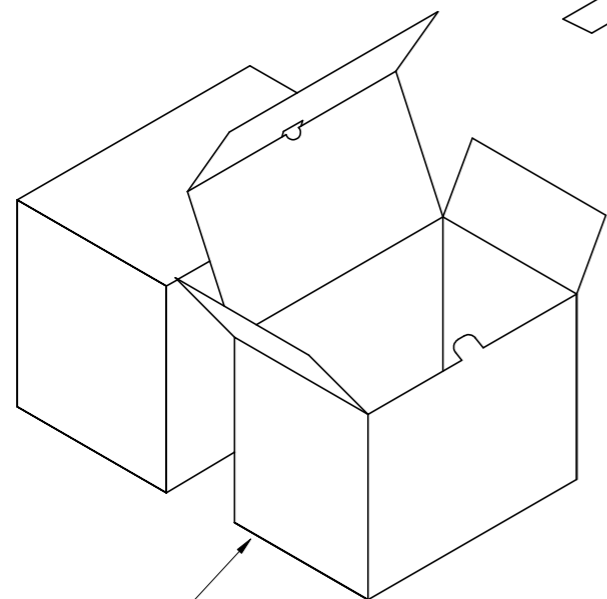
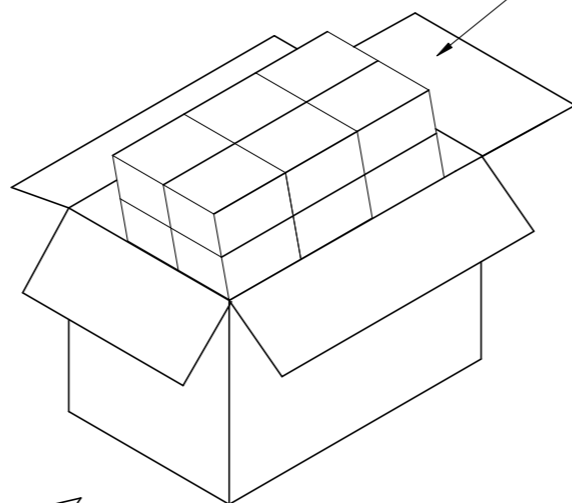
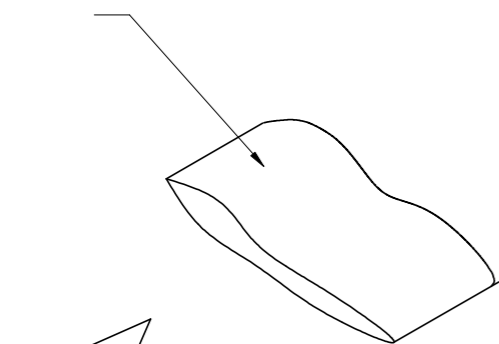
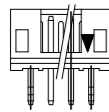
P	LTR	DESCRIPTION	DATE	DWN	APVD
		SEE SHEET 1.			

POLY BAG

CARTON

340mm(L)X 470mm(W)X 178mm(H)  
(FOR HEADER 2P~5P ONLY)

340mm(L)X 470mm(W)X 365mm(H)  
(FOR HEADER 6P~16P ONLY)



INEER BOX

320mm(L)X 220mm(W)X 155mm(H)

17,600	550	5P	4-440054-1
18,000	250	11P	9-440054-3
20,800	650	4P	3-440054-1
27,000	750	3P	440054-1
17,600	550	5P	8-440054-5
22,400	350	8P	2-440054-0
22,400	350	8P	8-440054-0
17,600	550	4P	9-440054-5
40,000	1,000	2P	9-440054-2
<del>17,600</del>	<del>550</del>	<del>5P</del>	<del>8-440054-5</del>
20,800	650	4P	8-440054-4
<del>27,000</del>	<del>750</del>	<del>3P</del>	<del>8-440054-3</del>
<del>40,000</del>	<del>1,000</del>	<del>2P</del>	<del>8-440054-2</del>
17,600	550	5P	6-440054-5
20,800	650	4P	6-440054-4
27,000	750	3P	6-440054-3
40,000	1,000	2P	6-440054-2
16,000	250	12P	7-440054-6
18,000	250	11P	7-440054-5
19,200	300	10P	7-440054-4
22,400	350	9P	7-440054-3
22,400	350	8P	7-440054-2
25,600	400	7P	7-440054-1
28,800	450	6P	7-440054-0
17,600	550	5P	4-440054-5
20,800	650	4P	4-440054-4
27,000	750	3P	4-440054-3
40,000	1,000	2P	4-440054-2
17,600	550	5P	2-440054-5
20,800	650	4P	2-440054-4
27,000	750	3P	2-440054-3
40,000	1,000	2P	2-440054-2
12,000	200	16P	1-440054-6
12,000	200	15P	1-440054-5
12,800	200	14P	1-440054-4
15,000	250	13P	1-440054-3
16,000	250	12P	1-440054-2
18,000	250	11P	1-440054-1
19,200	300	10P	1-440054-0
22,400	350	9P	440054-9
22,400	350	8P	440054-8
25,600	400	7P	440054-7
28,800	450	6P	440054-6
17,600	550	5P	440054-5
20,800	650	4P	440054-4
27,000	750	3P	440054-3
40,000	1,000	2P	440054-2
APQ	PPQ	POS.	PART NUMBER
(PCS/CARTON)	(PCS/BAG)		

THIS DRAWING IS A CONTROLLED DOCUMENT.

DWN  
CHK  
APVD

STE TE Connectivity

NAME  
2.0 MM PITCH HPI VERTICAL POST HEADERS

PRODUCT SPEC  
APPLICATION SPEC

SIZE A3 CAGE CODE 00779 DRAWING NO C=440054 RESTRICTED TO

MATERIAL FINISH WEIGHT

CUSTOMER DRAWING SCALE SHEET 5 OF 9 REV F7

4

3

2

1

THIS DRAWING IS UNPUBLISHED.

RELEASED FOR PUBLICATION

AUG ,2006.

© COPYRIGHT 2009 BY TYCO ELECTRONICS CORPORATION. ALL RIGHTS RESERVED.

LOC

DIST

REVISIONS

DW

P

LTR

DESCRIPTION

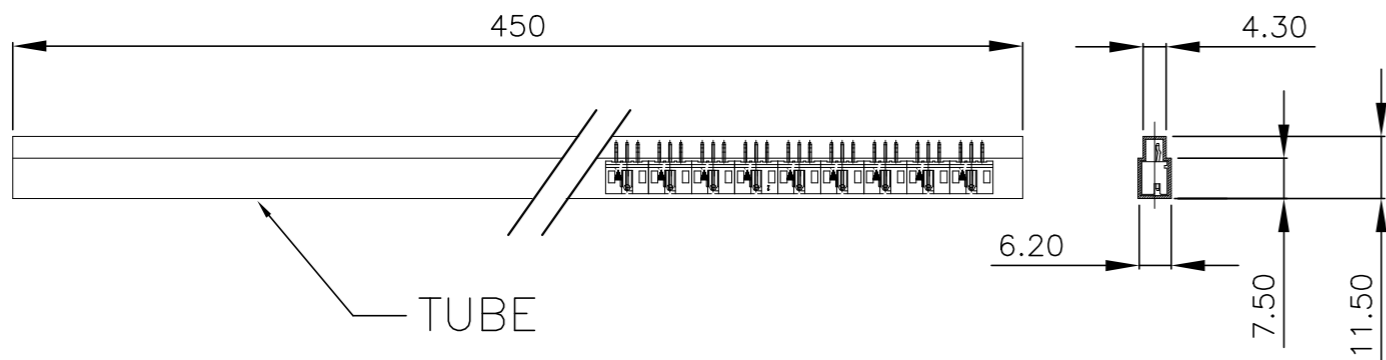
DATE

DWN

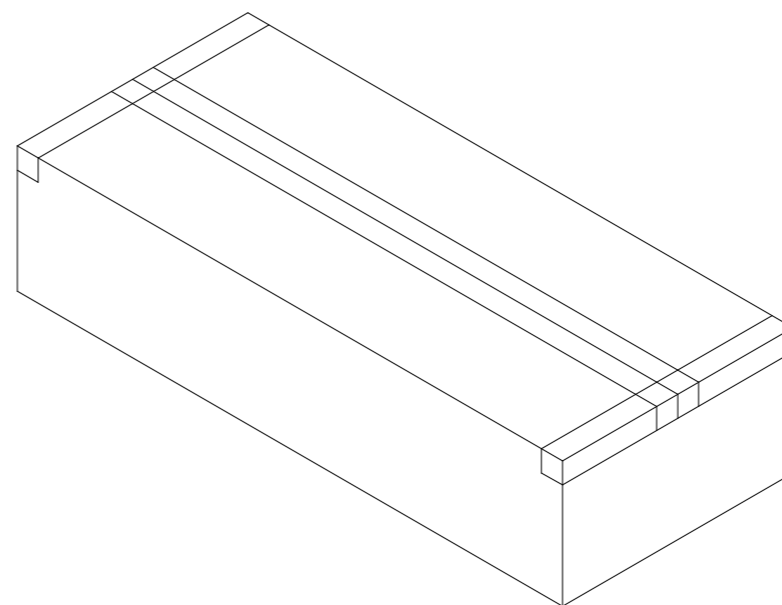
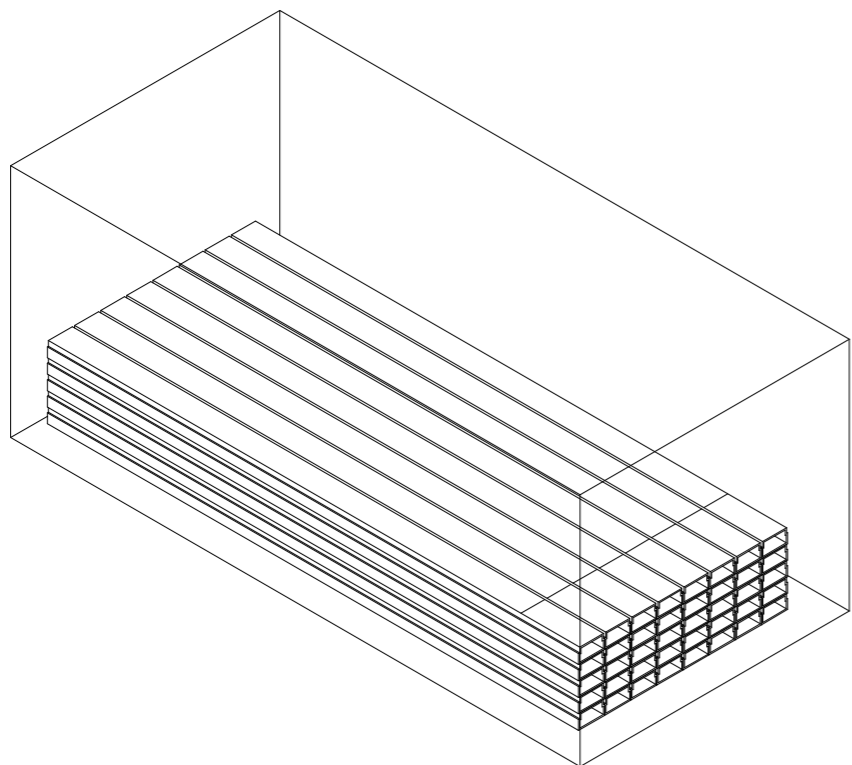
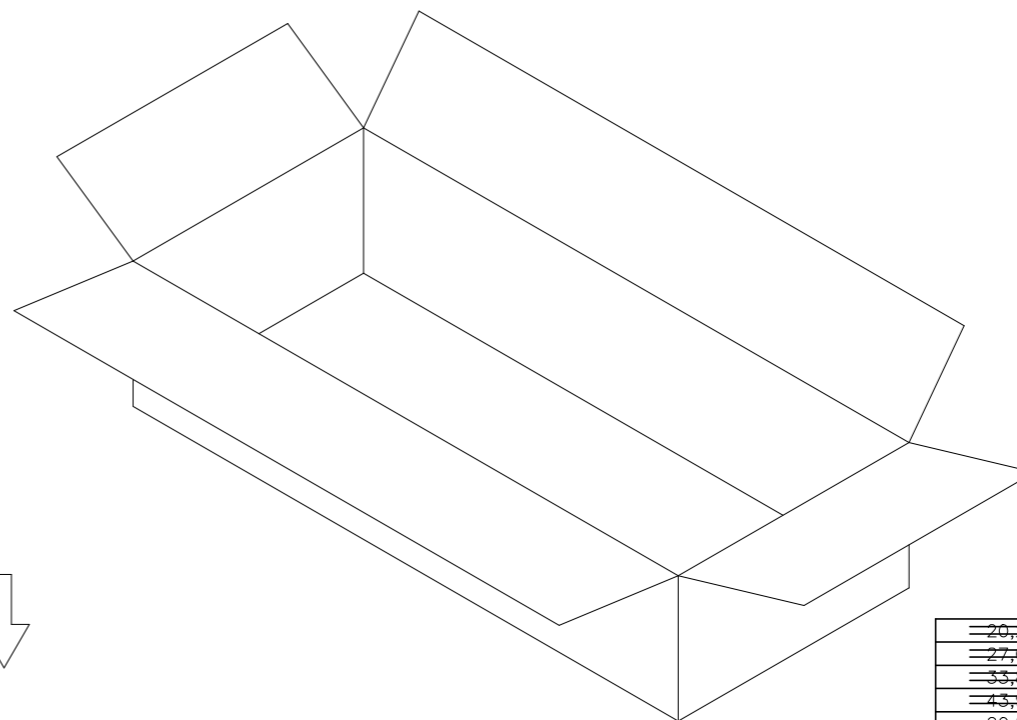
APVD

SEE SHEET 1.

CARTON  
470 mm(L)X 340mm(W)X 178mm(H)



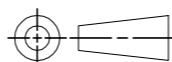
TUBE



20,280	30	5P	8-440054-9
27,040	40	4P	8-440054-8
33,800	50	3P	8-440054-7
43,940	65	2P	8-440054-6
20,280	30	5P	6-440054-9
27,040	40	4P	6-440054-8
33,800	50	3P	6-440054-7
43,940	65	2P	6-440054-6
20,280	30	5P	4-440054-9
27,040	40	4P	4-440054-8
33,800	50	3P	4-440054-7
43,940	65	2P	4-440054-6
20,280	30	5P	2-440054-9
27,040	40	4P	2-440054-8
33,800	50	3P	2-440054-7
43,940	65	2P	2-440054-6
6,760	10	16P	5-440054-6
8,112	12	15P	5-440054-5
8,112	12	14P	5-440054-4
8,788	13	13P	5-440054-3
10,140	15	12P	5-440054-2
10,816	16	11P	5-440054-1
12,168	18	10P	5-440054-0
13,520	20	9P	3-440054-9
14,872	22	8P	3-440054-8
16,900	25	7P	3-440054-7
18,928	28	6P	3-440054-6
20,280	30	5P	3-440054-5
27,040	40	4P	3-440054-4
33,800	50	3P	3-440054-3
43,940	65	2P	3-440054-2
APQ	PPQ	POS.	PART NUMBER
(PCS/CARTON)	(PCS/TUBE)		

THIS DRAWING IS A CONTROLLED DOCUMENT.

DIMENSIONS:  
MM



TOLERANCES UNLESS OTHERWISE SPECIFIED:

0 PLC	± -
1 PLC	± -
2 PLC	± -
3 PLC	± -
4 PLC	± -
ANGLES	± -

MATERIAL

FINISH

DWN

CHK

APVD

PRODUCT SPEC

APPLICATION SPEC

WEIGHT

CUSTOMER DRAWING



TE Connectivity

NAME

2.0 MM PITCH HPI VERTICAL POST HEADERS

SIZE

CAGE CODE

DRAWING NO

RESTRICTED TO

A3

00779

C=440054

SCALE

SHEET

6 of 9

REV F7

4

3

2

1

THIS DRAWING IS UNPUBLISHED.

RELEASED FOR PUBLICATION

AUG ,2006.

© COPYRIGHT 2009 BY TYCO ELECTRONICS CORPORATION. ALL RIGHTS RESERVED.

LOC

DIST

REVISIONS

DW

P

LTR

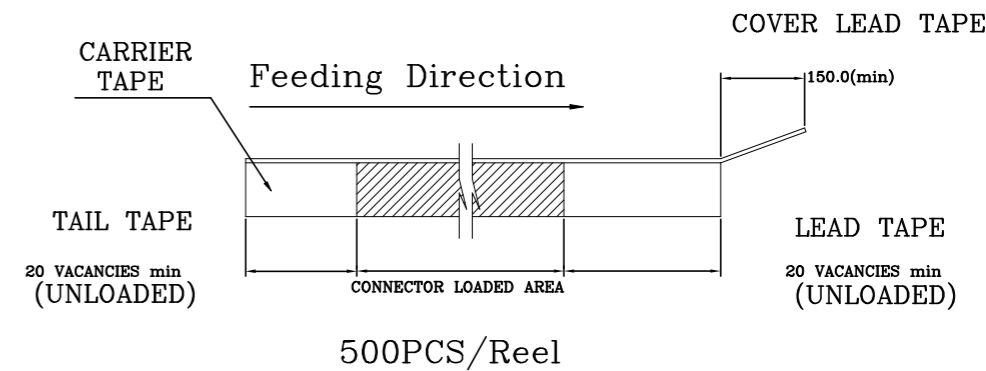
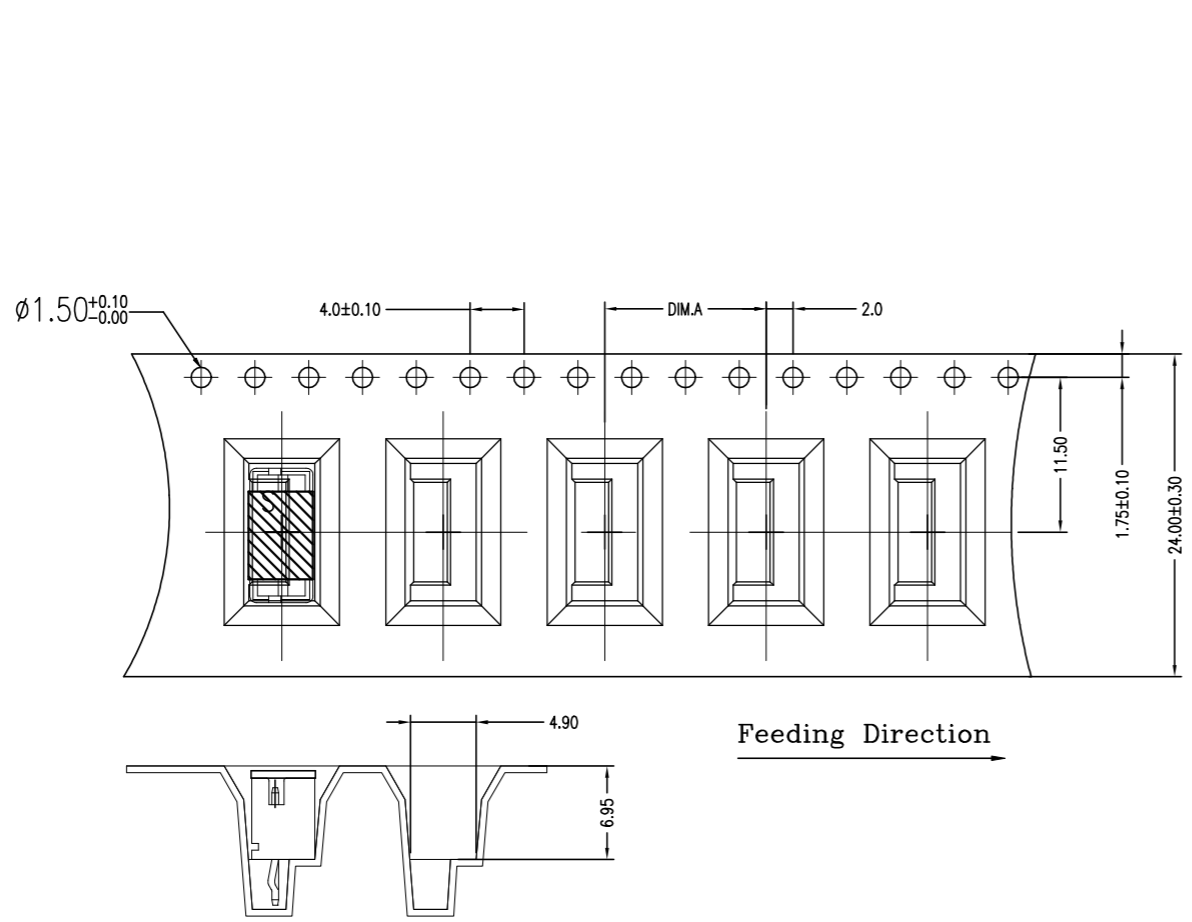
DESCRIPTION

DATE

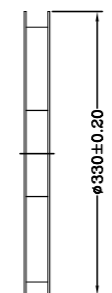
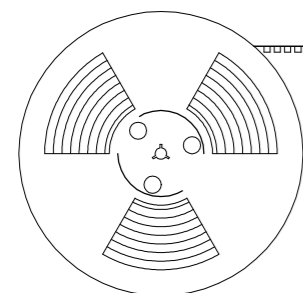
DWN

APVD

SEE SHEET 1.



Feeding Direction



12.0	WITH	2000	500	4P	9-440054-4
DIM.A	CAP	APQ (PCS/CARTON)	PPQ (PCS/REEL)	POS.	PART NUMBER

THIS DRAWING IS A CONTROLLED DOCUMENT.		DWN		<b>STE</b> TE Connectivity	
DIMENSIONS: MM		CHK			
TOLERANCES UNLESS OTHERWISE SPECIFIED:		APVD		NAME	
0 PLC ± -		PRODUCT SPEC		2.0 MM PITCH HPI VERTICAL POST HEADERS	
1 PLC ± -		APPLICATION SPEC		SIZE CAGE CODE DRAWING NO RESTRICTED TO	
2 PLC ± -		WEIGHT		A3 00779 C=440054	
3 PLC ± -		CUSTOMER DRAWING		SCALE SHEET 7 of 9 REV F7	
4 PLC ± -					
ANGLES ± -					
MATERIAL		FINISH			

4

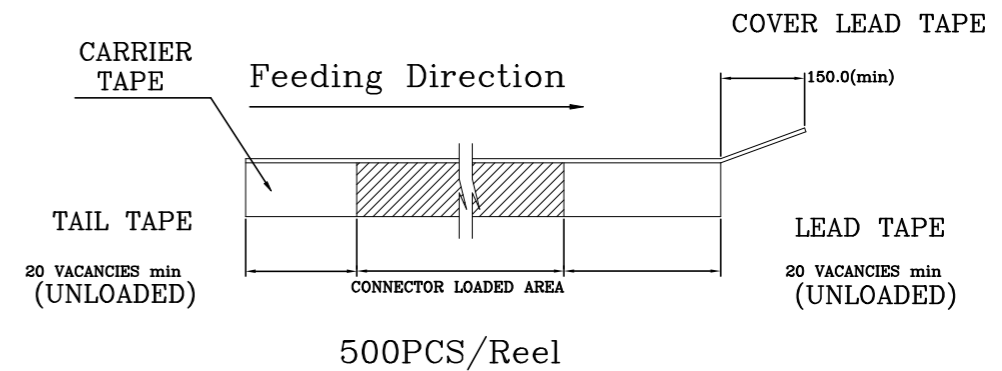
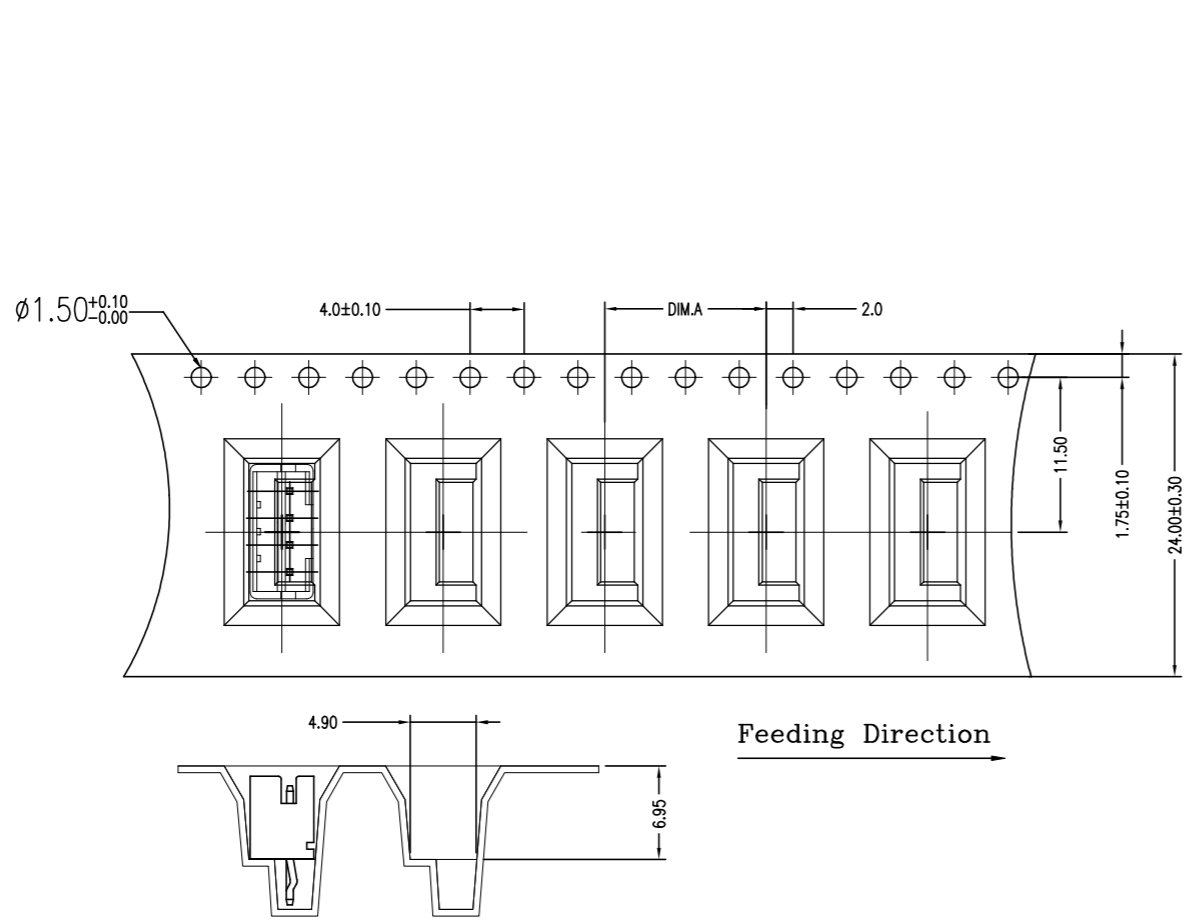
3

2

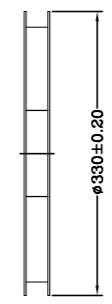
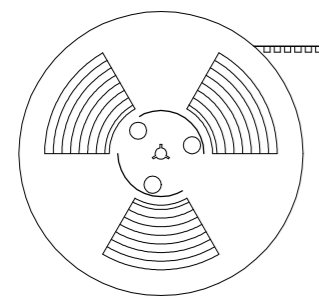
1

THIS DRAWING IS UNPUBLISHED. RELEASED FOR PUBLICATION AUG ,2006.  
 © COPYRIGHT 2009 BY TYCO ELECTRONICS CORPORATION. ALL RIGHTS RESERVED.

LOC		DIST		REVISIONS			
P	LTR	DESCRIPTION		DATE	DWN	APVD	
		SEE SHEET 1.					



Feeding Direction →



16.0	WITHOUT	1800	450	4P	9-440054-1
DIM.A	CAP	APQ (PCS/CARTON)	PPQ (PCS/REEL)	POS.	PART NUMBER

THIS DRAWING IS A CONTROLLED DOCUMENT.		DWN		TE Connectivity	
DIMENSIONS: MM		CHK			
TOLERANCES UNLESS OTHERWISE SPECIFIED:		APVD		NAME	
0 PLC ± - 1 PLC ± - 2 PLC ± - 3 PLC ± - 4 PLC ± - ANGLES ± -		PRODUCT SPEC		2.0 MM PITCH HPI VERTICAL POST HEADERS	
MATERIAL		FINISH		APPLICATION SPEC	
		WEIGHT		RESTRICTED TO	
		CUSTOMER DRAWING		SIZE A3 CAGE CODE 00779 DRAWING NO C=440054	
		SCALE -		SHEET 8 of 9 REV F7	



4

3

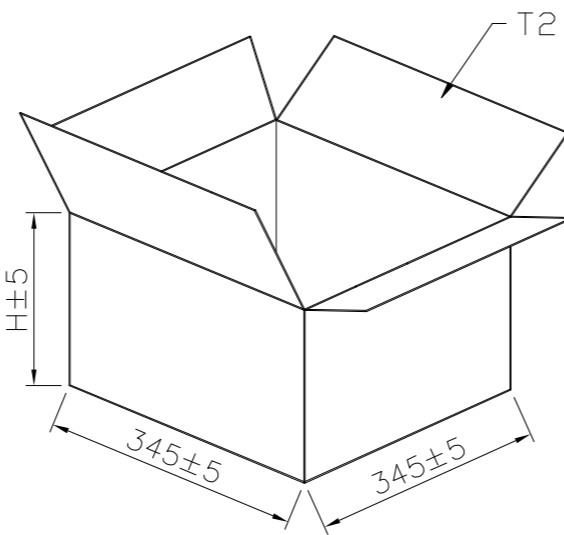
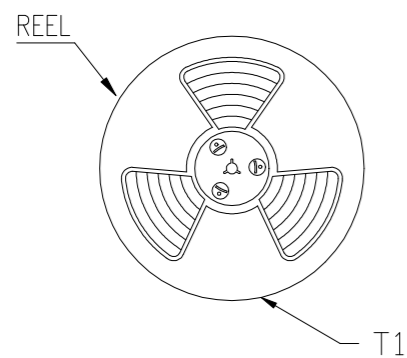
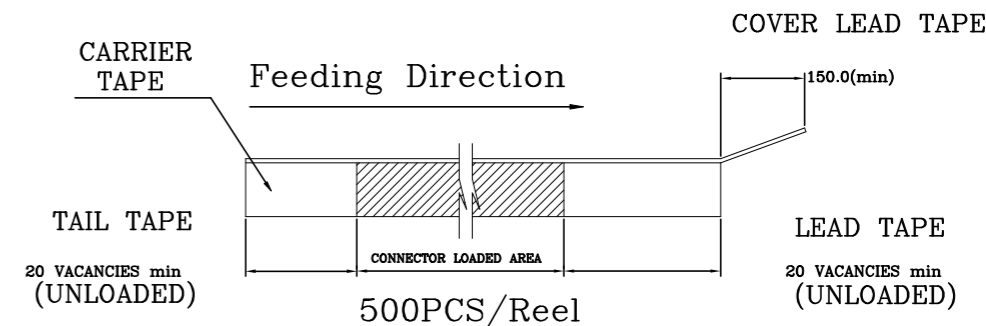
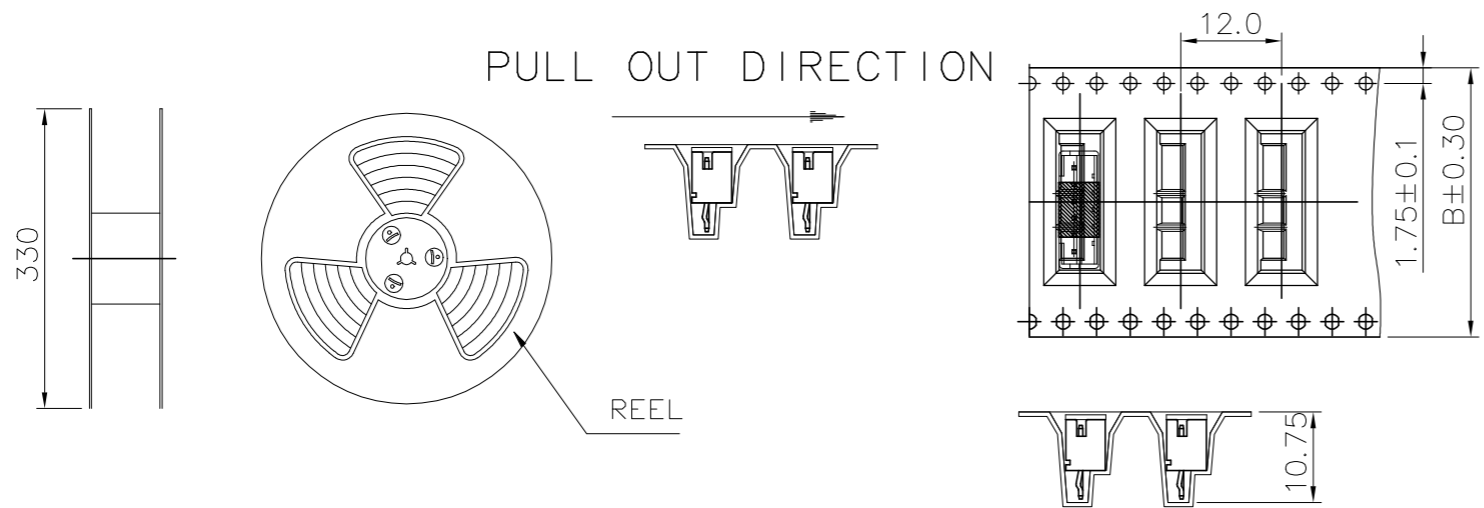
2

1

THIS DRAWING IS UNPUBLISHED. RELEASED FOR PUBLICATION AUG ,2006.

© COPYRIGHT 2009 BY TYCO ELECTRONICS CORPORATION. ALL RIGHTS RESERVED.

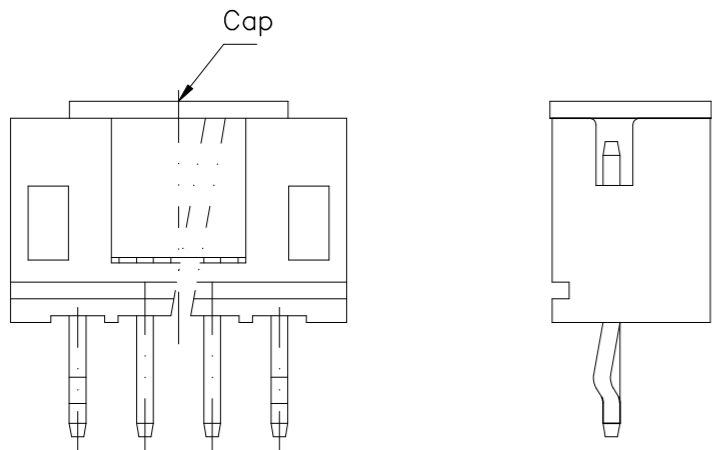
LOC	DIST	REVISIONS					
DW		P	LTR	DESCRIPTION	DATE	DWN	APVD
				SEE SHEET 1.			



H(mm)	POS	B(mm)	PCS./REEL	PCS/CARTON-T2
225	10P	44	500 PCS.	500X4=2000PCS.
125	7P	32	500 PCS.	500X3=1500PCS.

NOTE:  
 9-440054-0 10POS WAVE SOLDER PART CAP TYPE.  
 9-440054-7 7POS WAVE SOLDER PART CAP TYPE.

32.0	1500	500	7P	9-440054-7
44.0	2000	500	10P	9-440054-0
B(mm)	APQ (PCS/CARTON)	PPQ (PCS/REEL)	POS.	PART NUMBER



THIS DRAWING IS A CONTROLLED DOCUMENT.		DWN		<b>STE</b> TE Connectivity	
DIMENSIONS: MM		CHK			
TOLERANCES UNLESS OTHERWISE SPECIFIED:		APVD		NAME	
0 PLC ± -		PRODUCT SPEC		2.0 MM PITCH HPI VERTICAL POST HEADERS	
1 PLC ± -		APPLICATION SPEC		SIZE CAGE CODE DRAWING NO RESTRICTED TO	
2 PLC ± -		WEIGHT		A3 00779 C=440054	
3 PLC ± -		CUSTOMER DRAWING		SCALE SHEET 9 of 9 REV F7	
4 PLC ± -					
ANGLES ± -					
MATERIAL FINISH					

## X-ON Electronics

Largest Supplier of Electrical and Electronic Components

*Click to view similar products for [Headers & Wire Housings](#) category:*

*Click to view products by [TE Connectivity](#) manufacturer:*

Other Similar products are found below :

[95000-104TRLF](#) [10135584-644402LF](#) [DF62W-EP2022PCA](#) [95000-106TRLF](#) [DF62W-2022SCA](#) [DF62W-EP2022PC](#) [2203348](#) [DF62W-2022SC](#) [1084018](#) [1029039](#) [1084017](#) [802-10-012-10-002000](#) [1112640](#) [1112639](#) [000-34000](#) [0009482033](#) [0009507031](#) [57102-S06-03LF](#) [57202-S52-04LF](#) [PCN6-15S-2.5E](#) [0039019024](#) [58102-G61-06LF](#) [582553-1](#) [0009485154](#) [0009508121](#) [0022285053](#) [0050291907](#) [018731A](#) [LY20-4P-DT1-P1E-BR](#) [02.125.8002.8](#) [60101931](#) [60598-1 \(Cut Strip\)](#) [M1625-3R/100](#) [61062-3](#) [61082-181009](#) [636-1427](#) [638009-1](#) [641938-9](#) [641991-4](#) [644168-1](#) [647662-1](#) [65039-019ELF](#) [65817-002LF](#) [65817-015LF](#) [65863-015LF](#) [66207-023LF](#) [67016-026LF](#) [67046-001LF](#) [67095-007LF](#) [67230-005LF](#)