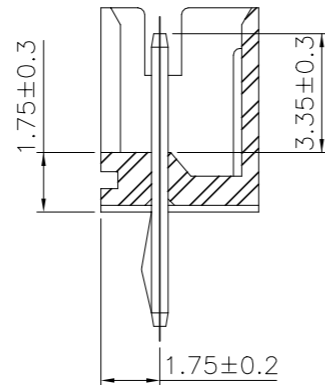
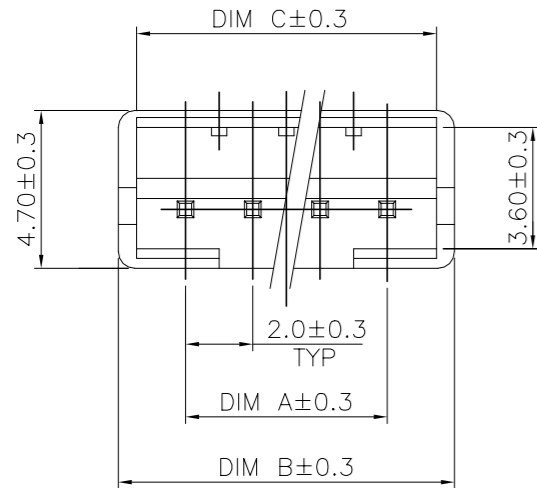
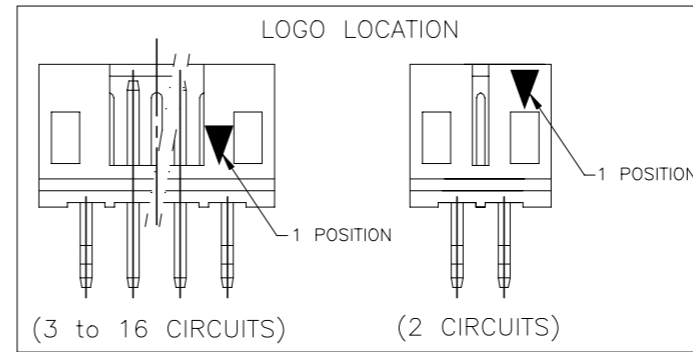
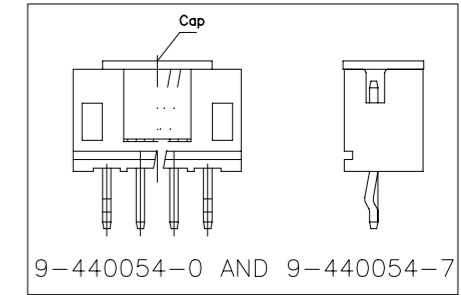


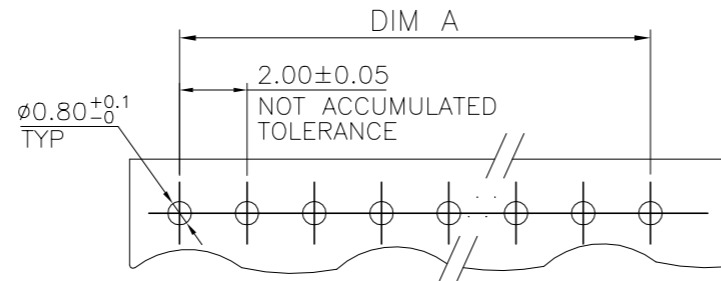
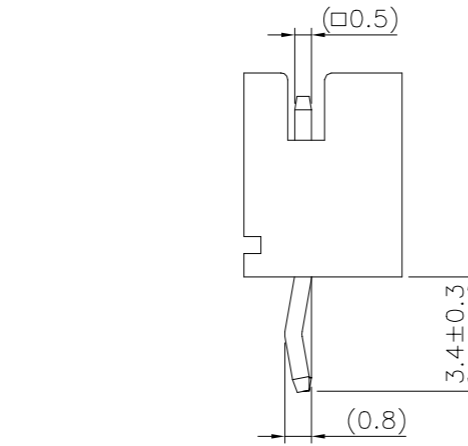
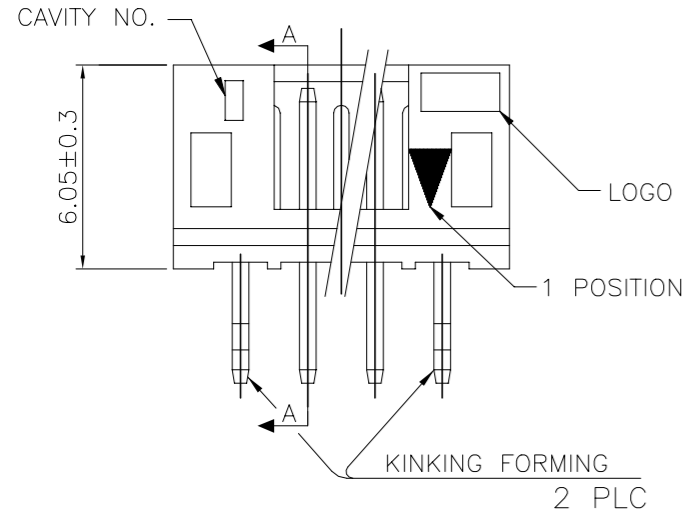
|           |      |               |         |          |
|-----------|------|---------------|---------|----------|
| LOC<br>DW | DIST | REVISIONS     |         |          |
| P         | LTR  | DESCRIPTION   | DATE    | DWN APVD |
|           | F8   | ECR-20-004633 | 06APR20 | T.Q W.H  |



- NOTES:  
 1. MATERIAL:  
 HOUSING: NYLON 66, UL94V-0, COLOR: SEE TABLE.  
 CONTACT: BRASS, THICKNESS=0.50mm.  
 2. FINISH:  
 2.03um[80u"] MIN. BRIGHT-TIN PLATING ON CONTACT.  
 1.27um[50u"] MIN. NICKEL ENTIRE CONTACT UNDERPLATED.  
 3. WAVE SOLDER SPEC REFER TO 108-57100.  
 4. RAISED TYPE PN: 9-440054-2.



OBsolete  
 OBsolete



RECOMMENDED PCB LAYOUT  
 (PCB THK=1.0~1.6)

|               |               |       |       |       |     |            |
|---------------|---------------|-------|-------|-------|-----|------------|
| OBsolete      | RED           | 10.90 | 12.00 | 8.00  | 5P  | 8-440054-9 |
|               |               | 8.90  | 10.00 | 6.00  | 4P  | 8-440054-8 |
| BLACK         | BLACK         | 6.90  | 8.00  | 4.00  | 3P  | 8-440054-7 |
|               |               | 4.90  | 6.00  | 2.00  | 2P  | 8-440054-6 |
| YELLOW        | YELLOW        | 10.90 | 12.00 | 8.00  | 5P  | 6-440054-9 |
|               |               | 8.90  | 10.00 | 6.00  | 4P  | 6-440054-8 |
| BLUE          | BLUE          | 6.90  | 8.00  | 4.00  | 3P  | 6-440054-7 |
|               |               | 4.90  | 6.00  | 2.00  | 2P  | 6-440054-6 |
| NATURAL WHITE | NATURAL WHITE | 10.90 | 12.00 | 8.00  | 5P  | 2-440054-9 |
|               |               | 8.90  | 10.00 | 6.00  | 4P  | 2-440054-8 |
| TUBE          | TUBE          | 6.90  | 8.00  | 4.00  | 3P  | 2-440054-7 |
|               |               | 4.90  | 6.00  | 2.00  | 2P  | 2-440054-6 |
| TUBE          | NATURAL WHITE | 32.90 | 34.00 | 30.00 | 16P | 5-440054-6 |
|               |               | 30.90 | 32.00 | 28.00 | 15P | 5-440054-5 |
|               |               | 28.90 | 30.00 | 26.00 | 14P | 5-440054-4 |
|               |               | 26.90 | 28.00 | 24.00 | 13P | 5-440054-3 |
|               |               | 24.90 | 26.00 | 22.00 | 12P | 5-440054-2 |
|               |               | 22.90 | 24.00 | 20.00 | 11P | 5-440054-1 |
|               |               | 20.90 | 22.00 | 18.00 | 10P | 5-440054-0 |
|               |               | 18.90 | 20.00 | 16.00 | 9P  | 3-440054-9 |
|               |               | 16.90 | 18.00 | 14.00 | 8P  | 3-440054-8 |
|               |               | 14.90 | 16.00 | 12.00 | 7P  | 3-440054-7 |
| TUBE          | NATURAL WHITE | 12.90 | 14.00 | 10.00 | 6P  | 3-440054-6 |
|               |               | 10.90 | 12.00 | 8.00  | 5P  | 3-440054-5 |
|               |               | 8.90  | 10.00 | 6.00  | 4P  | 3-440054-4 |
|               |               | 6.90  | 8.00  | 4.00  | 3P  | 3-440054-3 |
|               |               | 4.90  | 6.00  | 2.00  | 2P  | 3-440054-2 |
|               |               | 20.90 | 22.00 | 18.00 | 10P | 9-440054-0 |
|               |               | 18.90 | 20.00 | 16.00 | 9P  | 7-440054-9 |
|               |               | 16.90 | 18.00 | 14.00 | 8P  | 7-440054-8 |
|               |               | 14.90 | 16.00 | 12.00 | 7P  | 7-440054-7 |
|               |               | 12.90 | 14.00 | 10.00 | 6P  | 7-440054-6 |
| TUBE          | NATURAL WHITE | 10.90 | 12.00 | 8.00  | 5P  | 440054-5   |
|               |               | 8.90  | 10.00 | 6.00  | 4P  | 440054-4   |
|               |               | 6.90  | 8.00  | 4.00  | 3P  | 440054-3   |
|               |               | 4.90  | 6.00  | 2.00  | 2P  | 440054-2   |
|               |               | 20.90 | 22.00 | 18.00 | 10P | 440054-0   |
|               |               | 18.90 | 20.00 | 16.00 | 9P  | 440054-9   |
|               |               | 16.90 | 18.00 | 14.00 | 8P  | 440054-8   |
|               |               | 14.90 | 16.00 | 12.00 | 7P  | 440054-7   |
|               |               | 12.90 | 14.00 | 10.00 | 6P  | 440054-6   |
|               |               | 10.90 | 12.00 | 8.00  | 5P  | 440054-5   |

|          |               |       |       |       |     |            |
|----------|---------------|-------|-------|-------|-----|------------|
| TAP REEL | NATURAL WHITE | 14.90 | 16.00 | 12.00 | 7P  | 9-440054-7 |
|          | BROWN         | 10.90 | 12.00 | 8.00  | 5P  | 4-440054-1 |
| TAP REEL | GREEN         | 22.90 | 24.00 | 20.00 | 11P | 9-440054-3 |
|          |               | 10.90 | 12.00 | 8.00  | 5P  | 9-440054-6 |
| TAP REEL | BLUE          | 8.90  | 10.00 | 6.00  | 4P  | 3-440054-1 |
|          |               | 6.90  | 8.00  | 4.00  | 3P  | 440054-1   |
| TAP REEL | RED           | 18.90 | 20.00 | 16.00 | 9P  | 2-440054-1 |
|          |               | 16.90 | 18.00 | 14.00 | 8P  | 2-440054-0 |
| TAP REEL | BLACK         | 16.90 | 18.00 | 14.00 | 8P  | 8-440054-0 |
|          |               | 10.90 | 12.00 | 8.00  | 5P  | 8-440054-5 |
| TAP REEL | BLACK         | 8.90  | 10.00 | 6.00  | 4P  | 8-440054-4 |
|          |               | 6.90  | 8.00  | 4.00  | 3P  | 8-440054-3 |
| TAP REEL | BLACK         | 4.90  | 6.00  | 2.00  | 2P  | 8-440054-2 |
|          |               | 10.90 | 12.00 | 8.00  | 5P  | 6-440054-5 |
| TAP REEL | BLACK         | 8.90  | 10.00 | 6.00  | 4P  | 6-440054-4 |
|          |               | 6.90  | 8.00  | 4.00  | 3P  | 6-440054-3 |
| TAP REEL | BLACK         | 4.90  | 6.00  | 2.00  | 2P  | 6-440054-2 |
|          |               | 24.90 | 26.00 | 22.00 | 12P | 7-440054-6 |
| TAP REEL | YELLOW        | 22.90 | 24.00 | 20.00 | 11P | 7-440054-5 |
|          |               | 20.90 | 22.00 | 18.00 | 10P | 7-440054-4 |
| TAP REEL | YELLOW        | 18.90 | 20.00 | 16.00 | 9P  | 7-440054-3 |
|          |               | 16.90 | 18.00 | 14.00 | 8P  | 7-440054-2 |
| TAP REEL | YELLOW        | 14.90 | 16.00 | 12.00 | 7P  | 7-440054-1 |
|          |               | 12.90 | 14.00 | 10.00 | 6P  | 7-440054-0 |
| TAP REEL | BLUE          | 10.90 | 12.00 | 8.00  | 5P  | 4-440054-5 |
|          |               | 8.90  | 10.00 | 6.00  | 4P  | 4-440054-4 |
| TAP REEL | BLUE          | 6.90  | 8.00  | 4.00  | 3P  | 4-440054-3 |
|          |               | 4.90  | 6.00  | 2.00  | 2P  | 4-440054-2 |
| TAP REEL | BLUE          | 10.90 | 12.00 | 8.00  | 5P  | 2-440054-5 |
|          |               | 8.90  | 10.00 | 6.00  | 4P  | 2-440054-4 |
| TAP REEL | BLUE          | 6.90  | 8.00  | 4.00  | 3P  | 2-440054-3 |
|          |               | 4.90  | 6.00  | 2.00  | 2P  | 2-440054-2 |
| TAP REEL | NATURAL WHITE | 20.90 | 22.00 | 18.00 | 10P | 9-440054-0 |
|          |               | 32.90 | 34.00 | 30.00 | 16P | 1-440054-6 |
|          |               | 30.90 | 32.00 | 28.00 | 15P | 1-440054-5 |
|          |               | 28.90 | 30.00 | 26.00 | 14P | 1-440054-4 |
|          |               | 26.90 | 28.00 | 24.00 | 13P | 1-440054-3 |
|          |               | 24.90 | 26.00 | 22.00 | 12P | 1-440054-2 |
|          |               | 22.90 | 24.00 | 20.00 | 11P | 1-440054-1 |
|          |               | 20.90 | 22.00 | 18.00 | 10P | 1-440054-0 |
|          |               | 18.90 | 20.00 | 16.00 | 9P  | 440054-9   |
|          |               | 16.90 | 18.00 | 14.00 | 8P  | 440054-8   |
| TAP REEL | NATURAL WHITE | 14.90 | 16.00 | 12.00 | 7P  | 440054-7   |
|          |               | 12.90 | 14.00 | 10.00 | 6P  | 440054-6   |
|          |               | 10.90 | 12.00 | 8.00  | 5P  | 440054-5   |
|          |               | 8.90  | 10.00 | 6.00  | 4P  | 440054-4   |
|          |               | 6.90  | 8.00  | 4.00  | 3P  | 440054-3   |
|          |               | 4.90  | 6.00  | 2.00  | 2P  | 440054-2   |
|          |               | 20.90 | 22.00 | 18.00 | 10P | 440054-0   |
|          |               | 18.90 | 20.00 | 16.00 | 9P  | 440054-9   |
|          |               | 16.90 | 18.00 | 14.00 | 8P  | 440054-8   |
|          |               | 14.90 | 16.00 | 12.00 | 7P  | 440054-7   |

THIS DRAWING IS A CONTROLLED DOCUMENT.

DWN O. HU 16JUL2004  
 CHK S. HOU 16JUL2004  
 APVD W.J. KE 16JUL2004

TE Connectivity

2.0 MM PITCH HPI VERTICAL POST HEADERS

PRODUCT SPEC 108-57100  
 APPLICATION SPEC

SIZE A3 CAGE CODE 00779 DRAWING NO C=440054 RESTRICTED TO

WEIGHT - GRAMS SCALE - SHEET 1 OF 9 REV F8

CUSTOMER DRAWING

4

3

2

1

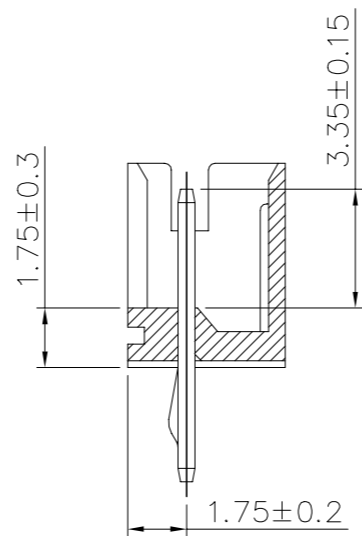
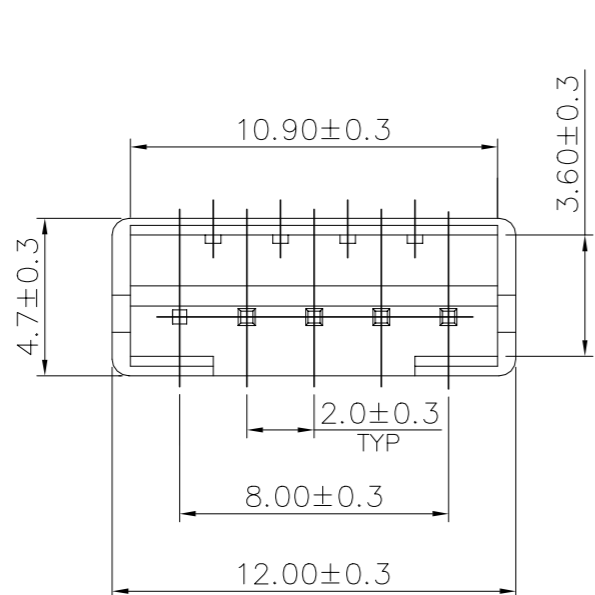
THIS DRAWING IS UNPUBLISHED. RELEASED FOR PUBLICATION AUG ,2006.

© COPYRIGHT 2009 BY TYCO ELECTRONICS CORPORATION. ALL RIGHTS RESERVED.

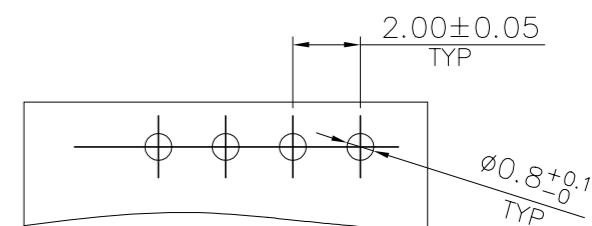
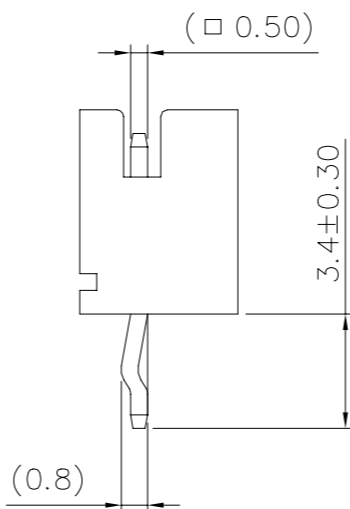
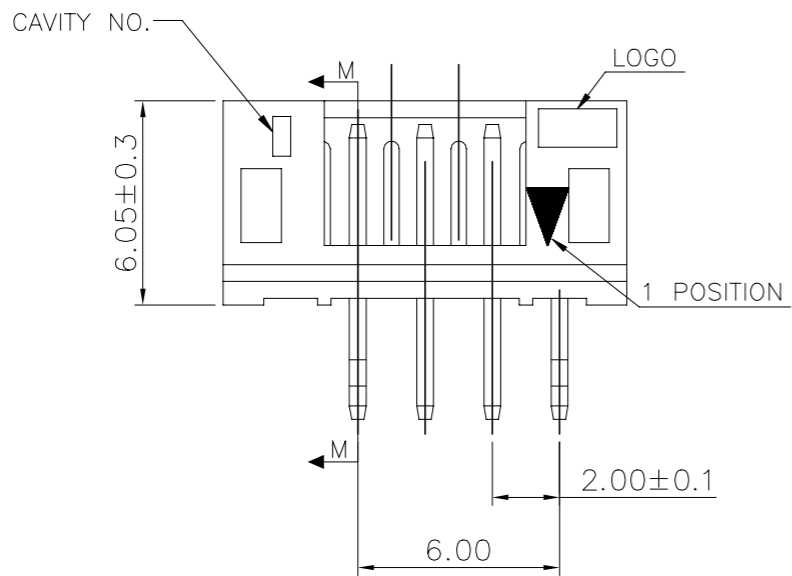
LOC DW DIST

REVISIONS

| P | LTR | DESCRIPTION  | DATE | DWN | APVD |
|---|-----|--------------|------|-----|------|
|   |     | SEE SHEET 1. |      |     |      |



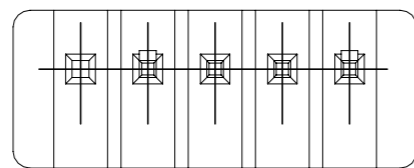
SECTION M-M



RECOMMENDER PCB LAYOUT (PCB THK=1.0~1.6mm)

|          |               |                   |      |             |
|----------|---------------|-------------------|------|-------------|
| POLY BAG | NATURAL WHITE | PIN 5             | 4P   | 9-440054-5  |
| PACKAGE  | COLOR         | PIN NUMBER LACKED | POS. | PART NUMBER |

|  |  |                           |  |   |  |
|--|--|---------------------------|--|---|--|
| THIS DRAWING IS A CONTROLLED DOCUMENT. |  | DWN                       |  | <b>STE</b> TE Connectivity              |  |
| DIMENSIONS: MM                         |  | CHK                       |  |   |  |
| TOLERANCES UNLESS OTHERWISE SPECIFIED: |  | APVD                      |  | NAME                                    |  |
| 0 PLC ± -                              |  | PRODUCT SPEC              |  | 2.0 MM PITCH HPI VERTICAL POST HEADERS  |  |
| 1 PLC ± 0.3                            |  | APPLICATION SPEC          |  | SIZE CAGE CODE DRAWING NO RESTRICTED TO |  |
| 2 PLC ± 0.2                            |  | WEIGHT                    |  | A3 00779 C=440054                       |  |
| 3 PLC ± 0.15                           |  | CUSTOMER DRAWING          |  | SCALE SHEET 2 OF 9 REV F8               |  |
| 4 PLC ± -                              |  |                           |  |   |  |
| ANGLES ± 3'                            |  |                           |  |   |  |
| MATERIAL SEE NOTE (PAGE 1.)            |  | FINISH SEE NOTE (PAGE 1.) |  |   |  |



4

3

2

1

THIS DRAWING IS UNPUBLISHED.

RELEASED FOR PUBLICATION

AUG ,2006.

© COPYRIGHT 2009 BY TYCO ELECTRONICS CORPORATION. ALL RIGHTS RESERVED.

LOC

DIST

REVISIONS

DW

P

LTR

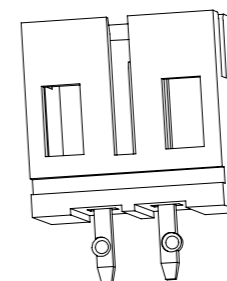
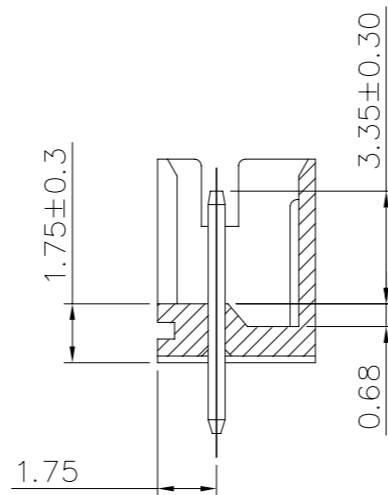
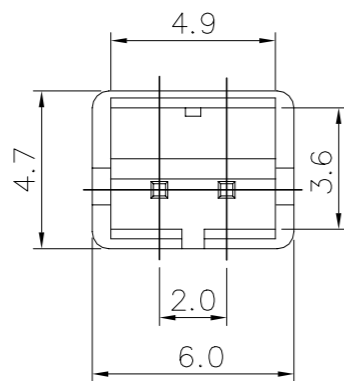
DESCRIPTION

DATE

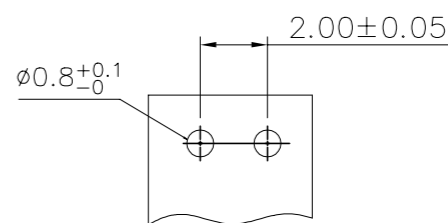
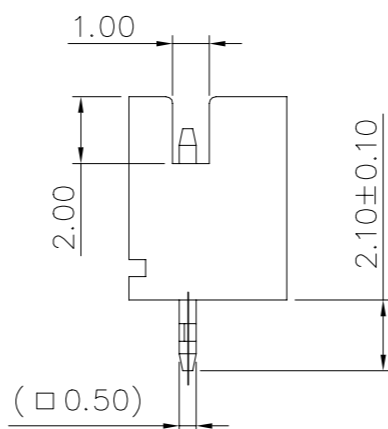
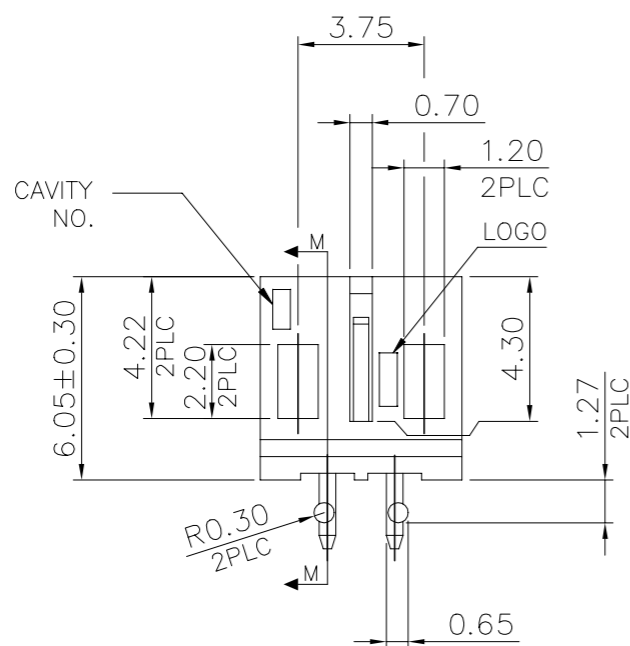
DWN

APVD

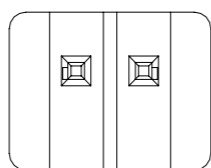
SEE SHEET 1.



SECTION M-M



RECOMMENDED PCB LAYOUT (PCB THK=1.0MM~1.6MM)



|          |               |      |             |
|----------|---------------|------|-------------|
| POLY BAG | NATURAL WHITE | 2P   | 9-440054-2  |
| PACKAGE  | COLOR         | POS. | PART NUMBER |

|  |                    |                  |  |           |
|--|--------------------|------------------|--|-----------|
| THIS DRAWING IS A CONTROLLED DOCUMENT. |                    | DWN              | <b>STE</b> TE Connectivity             |           |
| DIMENSIONS: MM                         |                    | CHK              |  |           |
| TOLERANCES UNLESS OTHERWISE SPECIFIED: |                    | APVD             | NAME                                   |           |
| 0 PLC ± -                              |                    | PRODUCT SPEC     | 2.0 MM PITCH HPI VERTICAL POST HEADERS |           |
| 1 PLC ± 0.3                            |                    | APPLICATION SPEC | SIZE                                   | CAGE CODE |
| 2 PLC ± 0.2                            |                    | WEIGHT           | A3                                     | 00779     |
| 3 PLC ± 0.15                           |                    | CUSTOMER DRAWING | DRAWING NO C=440054                    |           |
| 4 PLC ± -                              |                    | SCALE            | RESTRICTED TO                          |           |
| ANGLES ± 3'                            |                    | SHEET            | 3 OF 9                                 |           |
| MATERIAL                               | FINISH             | REV              | F8                                     |           |
| SEE NOTE (PAGE 1.)                     | SEE NOTE (PAGE 1.) |                  |  |           |

4

3

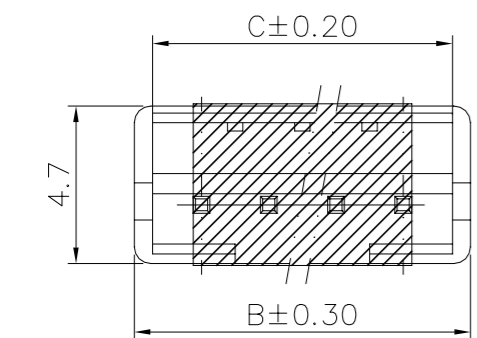
2

1

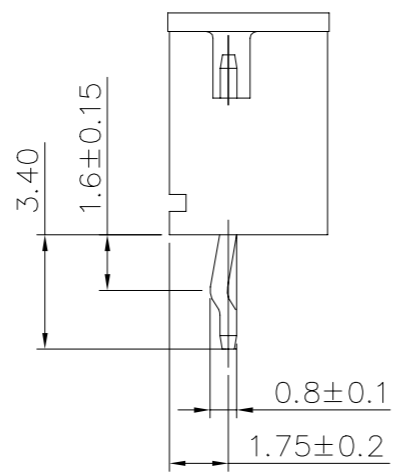
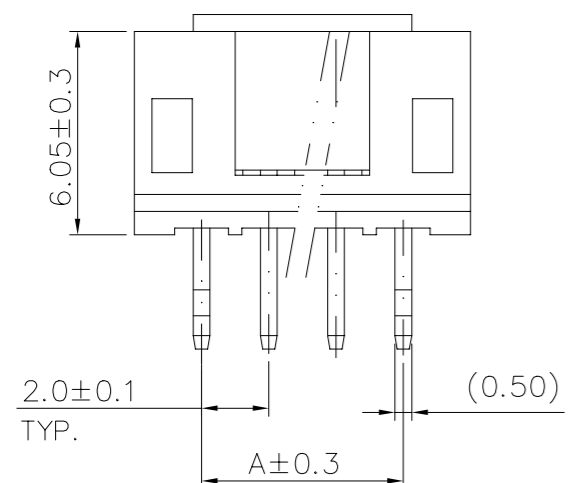
THIS DRAWING IS UNPUBLISHED. RELEASED FOR PUBLICATION AUG ,2006.

© COPYRIGHT 2009 BY TYCO ELECTRONICS CORPORATION. ALL RIGHTS RESERVED.

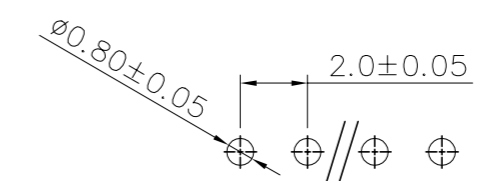
| LOC | DIST | REVISIONS |     |              |      |     |      |
|-----|------|-----------|-----|--------------|------|-----|------|
| DW  |      | P         | LTR | DESCRIPTION  | DATE | DWN | APVD |
|     |      |           |     | SEE SHEET 1. |      |     |      |



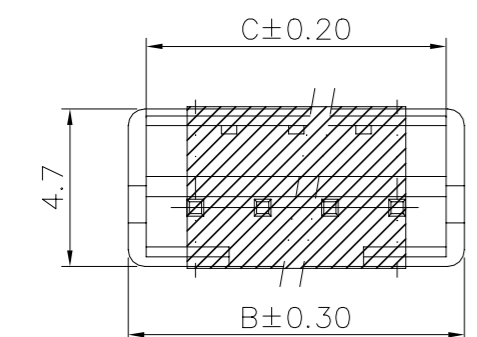
9-440054-1 & 9-440054-4



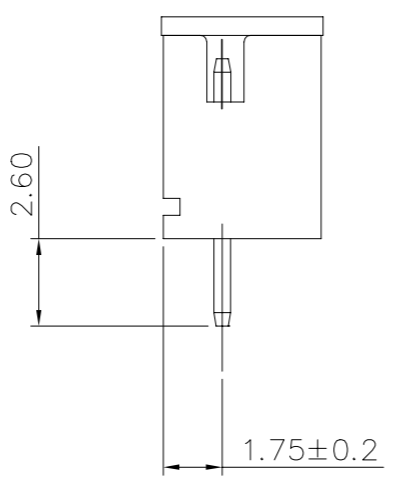
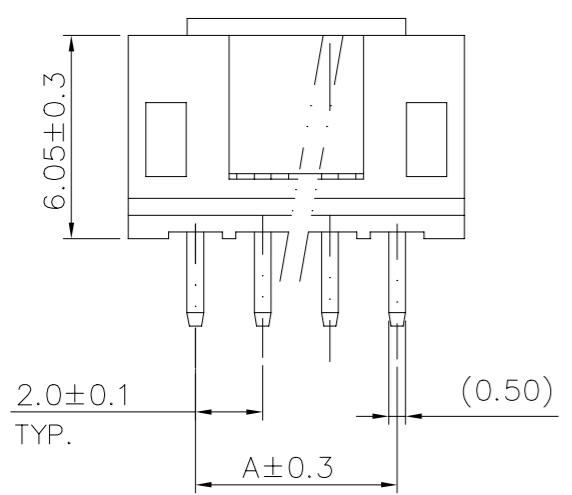
NOTES:  
 1. MATERIAL:  
 HOUSING: NYLON 6T, UL94V-0, COLOR: SEE TABLE.  
 CONTACT: BRASS, THICKNESS=0.50mm.  
 △ FINISH:  
 2.03um[80u"] MIN. BRIGHT-TIN PLATING ON CONTACT.  
 1.27um[50u"] MIN. NICKEL ENTIRE CONTACT UNDERPLATED.  
 3. (SMT) REFLOW PROCESS NEED AFFORD 260°C.  
 △ FINISH:  
 0.762um[30u"] GOLD PLATING OVER ALL.  
 1.27um[50u"] MIN. NICKEL ENTIRE CONTACT UNDERPLATED.



RECOMMENDED PCB LAYOUT (PCB THK=1.0MM~1.6MM)



8-440054-7 & 8-440054-6



|        |         |           |               |       |       |       |     |             |
|--------|---------|-----------|---------------|-------|-------|-------|-----|-------------|
| △4     | WITH    | TAPE REEL | NATURAL WHITE | 14.90 | 16.00 | 12.00 | 7P  | 8-440054-7  |
| △4     | WITH    | TAPE REEL | NATURAL WHITE | 8.90  | 10.00 | 6.00  | 4P  | 8-440054-6  |
| △2     | WITHOUT | TAPE REEL | NATURAL WHITE | 8.90  | 10.00 | 6.00  | 4P  | 9-440054-1  |
| △2     | WITH    | TAPE REEL | NATURAL WHITE | 8.90  | 10.00 | 6.00  | 4P  | 9-440054-4  |
| FINISH | CAP     | PACKAGE   | COLOR         | DIM C | DIM B | DIM A | POS | PART NUMBER |

THIS DRAWING IS A CONTROLLED DOCUMENT.

|   |  |                    |  |                    |
|---|--|--------------------|--|--------------------|
| DIMENSIONS: MM  | TOLERANCES UNLESS OTHERWISE SPECIFIED: | DWN                | TE Connectivity                                |                    |
| 0 PLC ± -<br>1 PLC ± 0.3<br>2 PLC ± 0.2<br>3 PLC ± 0.15<br>4 PLC ± -<br>ANGLES ± 3° | SEE NOTE (PAGE 1.)                     | DIMENSIONS: MM<br> | NAME<br>2.0 MM PITCH HPI VERTICAL POST HEADERS | SIZE<br>A3         |
| MATERIAL  | FINISH                                 | APVD               | DRAWING NO<br>C=440054                         | CAGE CODE<br>00779 |
| SEE NOTE (PAGE 1.)  | SEE NOTE (PAGE 1.)                     | PRODUCT SPEC       | RESTRICTED TO                                  |                    |
|   |  | APPLICATION SPEC   | SCALE - SHEET 4 OF 9 REV F8                    |                    |
|   |  | WEIGHT             | CUSTOMER DRAWING                               |                    |

THIS DRAWING IS UNPUBLISHED.

RELEASED FOR PUBLICATION

AUG ,2006.

© COPYRIGHT 2009 BY TYCO ELECTRONICS CORPORATION. ALL RIGHTS RESERVED.

LOC DW DIST

REVISIONS

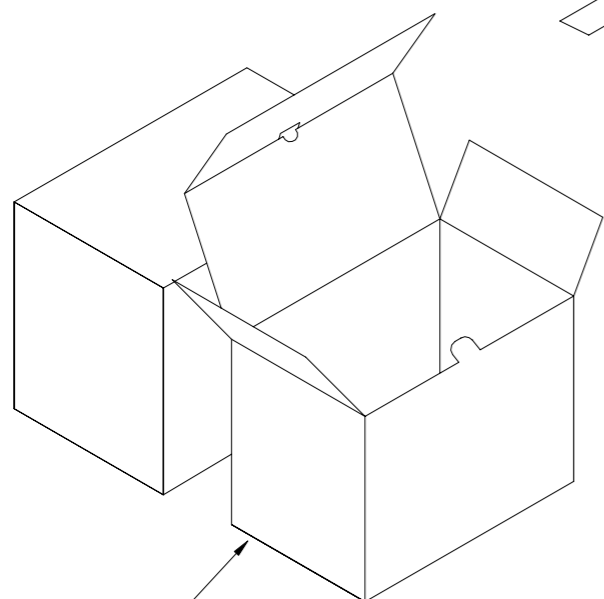
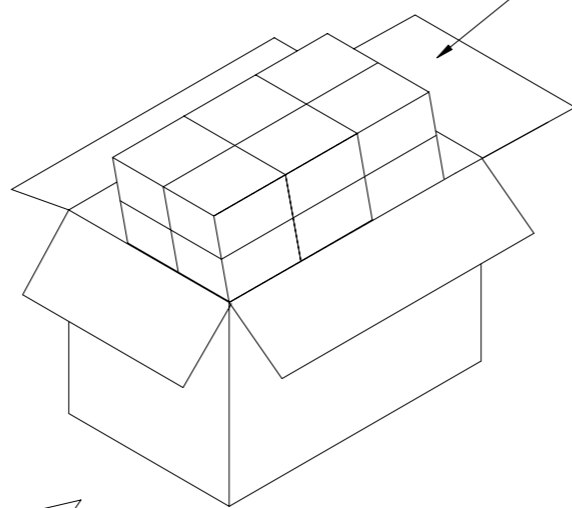
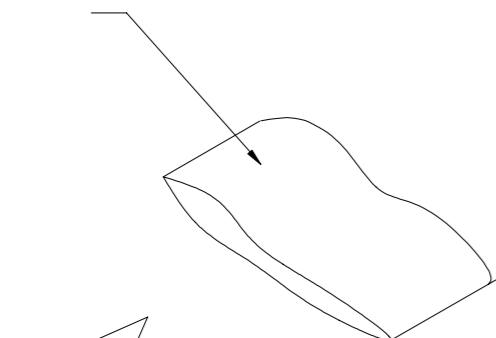
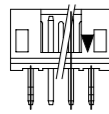
| P | LTR | DESCRIPTION  | DATE | DWN | APVD |
|---|-----|--------------|------|-----|------|
|   |     | SEE SHEET 1. |      |     |      |

POLY BAG

CARTON

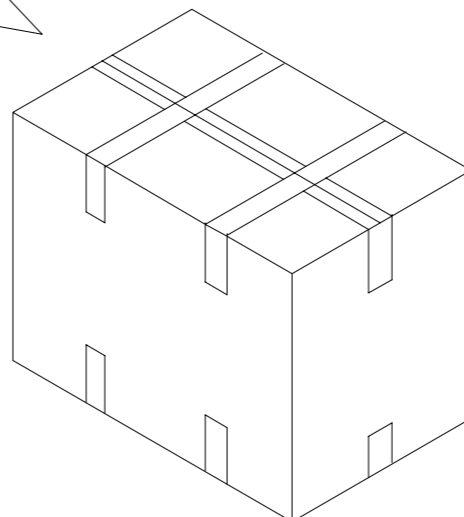
340mm(L)X 470mm(W)X 178mm(H)  
(FOR HEADER 2P~5P ONLY)

340mm(L)X 470mm(W)X 365mm(H)  
(FOR HEADER 6P~16P ONLY)



INEER BOX

320mm(L)X 220mm(W)X 155mm(H)



|                   |                  |               |                       |
|-------------------|------------------|---------------|-----------------------|
| 17,600            | 550              | 5P            | 4-440054-1            |
| 18,000            | 250              | 11P           | 9-440054-3            |
| 20,800            | 650              | 4P            | 3-440054-1            |
| 27,000            | 750              | 3P            | 440054-1              |
| 17,600            | 550              | 5P            | 8-440054-5            |
| 22,400            | 350              | 8P            | 2-440054-0            |
| 22,400            | 350              | 8P            | 8-440054-0            |
| 17,600            | 550              | 4P            | 9-440054-5            |
| 40,000            | 1,000            | 2P            | 9-440054-2            |
| <del>17,600</del> | <del>550</del>   | <del>5P</del> | <del>8-440054-5</del> |
| 20,800            | 650              | 4P            | 8-440054-4            |
| <del>27,000</del> | <del>750</del>   | <del>3P</del> | <del>8-440054-3</del> |
| <del>40,000</del> | <del>1,000</del> | <del>2P</del> | <del>8-440054-2</del> |
| 17,600            | 550              | 5P            | 6-440054-5            |
| 20,800            | 650              | 4P            | 6-440054-4            |
| 27,000            | 750              | 3P            | 6-440054-3            |
| 40,000            | 1,000            | 2P            | 6-440054-2            |
| 16,000            | 250              | 12P           | 7-440054-6            |
| 18,000            | 250              | 11P           | 7-440054-5            |
| 19,200            | 300              | 10P           | 7-440054-4            |
| 22,400            | 350              | 9P            | 7-440054-3            |
| 22,400            | 350              | 8P            | 7-440054-2            |
| 25,600            | 400              | 7P            | 7-440054-1            |
| 28,800            | 450              | 6P            | 7-440054-0            |
| 17,600            | 550              | 5P            | 4-440054-5            |
| 20,800            | 650              | 4P            | 4-440054-4            |
| 27,000            | 750              | 3P            | 4-440054-3            |
| 40,000            | 1,000            | 2P            | 4-440054-2            |
| 17,600            | 550              | 5P            | 2-440054-5            |
| 20,800            | 650              | 4P            | 2-440054-4            |
| 27,000            | 750              | 3P            | 2-440054-3            |
| 40,000            | 1,000            | 2P            | 2-440054-2            |
| 12,000            | 200              | 16P           | 1-440054-6            |
| 12,000            | 200              | 15P           | 1-440054-5            |
| 12,800            | 200              | 14P           | 1-440054-4            |
| 15,000            | 250              | 13P           | 1-440054-3            |
| 16,000            | 250              | 12P           | 1-440054-2            |
| 18,000            | 250              | 11P           | 1-440054-1            |
| 19,200            | 300              | 10P           | 1-440054-0            |
| 22,400            | 350              | 9P            | 440054-9              |
| 22,400            | 350              | 8P            | 440054-8              |
| 25,600            | 400              | 7P            | 440054-7              |
| 28,800            | 450              | 6P            | 440054-6              |
| 17,600            | 550              | 5P            | 440054-5              |
| 20,800            | 650              | 4P            | 440054-4              |
| 27,000            | 750              | 3P            | 440054-3              |
| 40,000            | 1,000            | 2P            | 440054-2              |
| APQ               | PPQ              | POS.          | PART NUMBER           |
| (PCS/CARTON)      | (PCS/BAG)        |               |                       |

THIS DRAWING IS A CONTROLLED DOCUMENT.

|                   |   |  |  |                    |                        |
|-------------------|---|--|--|--------------------|------------------------|
| DIMENSIONS:<br>MM | TOLERANCES UNLESS OTHERWISE SPECIFIED:<br>0 PLC ± -<br>1 PLC ± -<br>2 PLC ± -<br>3 PLC ± -<br>4 PLC ± -<br>ANGLES ± - | DWN<br>CHK<br>APVD                         | TE Connectivity                                |                    |                        |
| MATERIAL          | FINISH  | PRODUCT SPEC<br>APPLICATION SPEC<br>WEIGHT | NAME<br>2.0 MM PITCH HPI VERTICAL POST HEADERS |                    |                        |
|                   |   | CUSTOMER DRAWING                           | SIZE<br>A3                                     | CAGE CODE<br>00779 | DRAWING NO<br>C=440054 |
|                   |   |  | RESTRICTED TO                                  | SCALE              | SHEET 5 OF 9           |
|                   |   |  |  |                    | REV F8                 |

4

3

2

1

THIS DRAWING IS UNPUBLISHED.

RELEASED FOR PUBLICATION

AUG ,2006.

© COPYRIGHT 2009 BY TYCO ELECTRONICS CORPORATION. ALL RIGHTS RESERVED.

LOC

DIST

REVISIONS

DW

P

LTR

DESCRIPTION

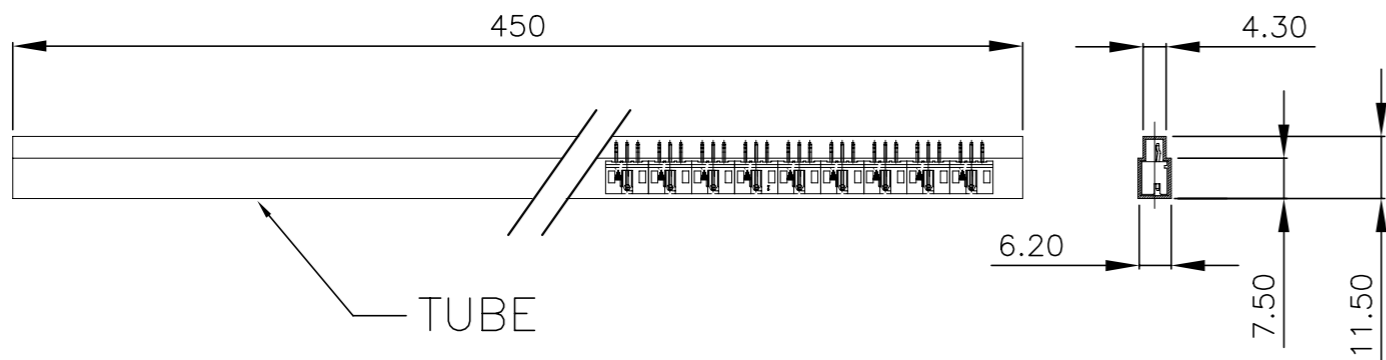
DATE

DWN

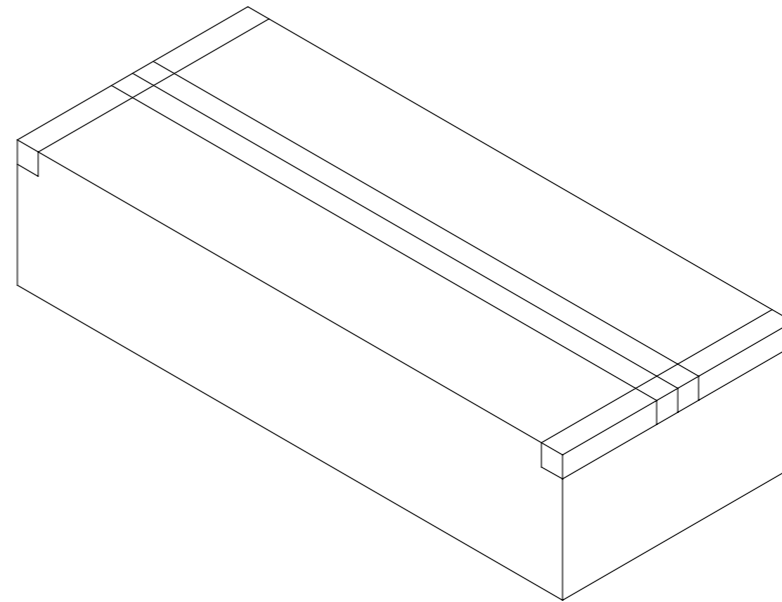
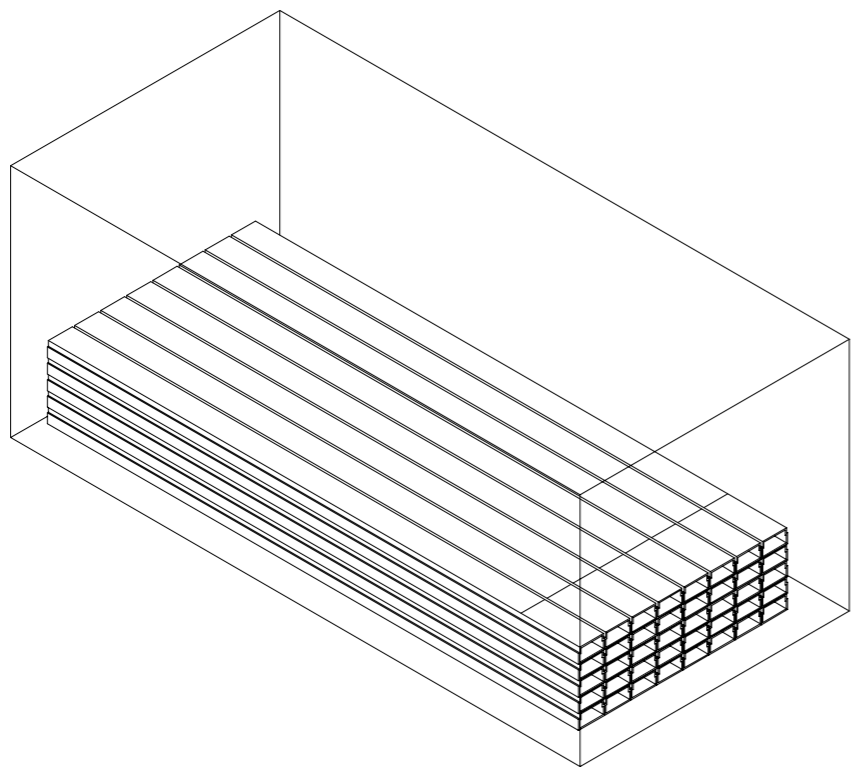
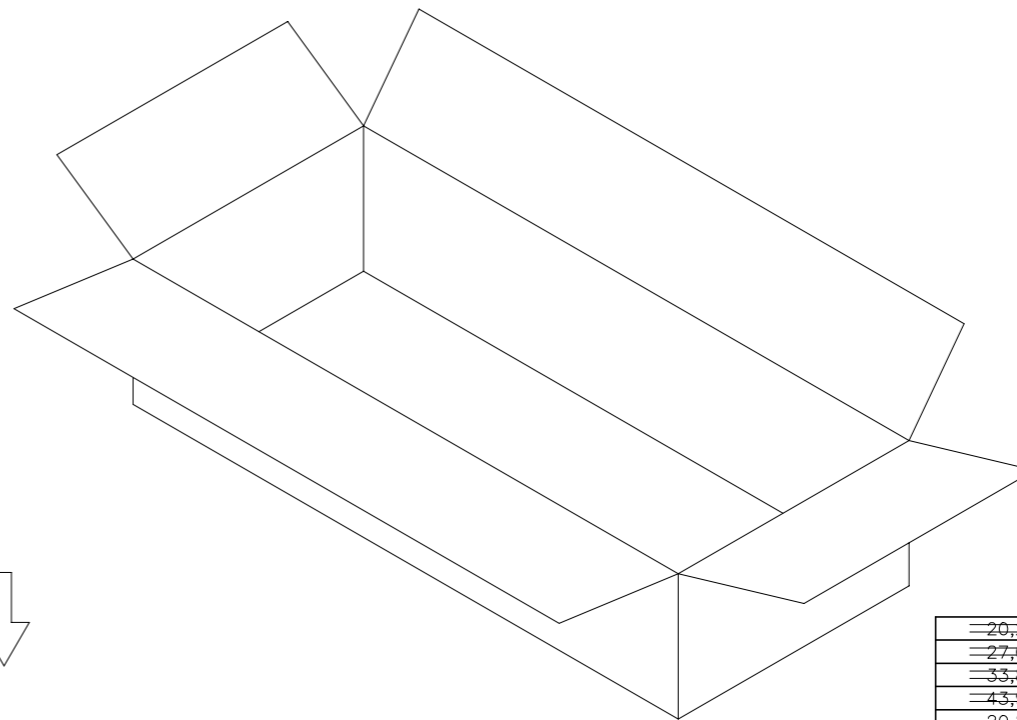
APVD

SEE SHEET 1.

CARTON  
470 mm(L)X 340mm(W)X 178mm(H)



TUBE



|              |            |      |             |
|--------------|------------|------|-------------|
| 20,280       | 30         | 5P   | 8-440054-9  |
| 27,040       | 40         | 4P   | 8-440054-8  |
| 33,800       | 50         | 3P   | 8-440054-7  |
| 43,940       | 65         | 2P   | 8-440054-6  |
| 20,280       | 30         | 5P   | 6-440054-9  |
| 27,040       | 40         | 4P   | 6-440054-8  |
| 33,800       | 50         | 3P   | 6-440054-7  |
| 43,940       | 65         | 2P   | 6-440054-6  |
| 20,280       | 30         | 5P   | 4-440054-9  |
| 27,040       | 40         | 4P   | 4-440054-8  |
| 33,800       | 50         | 3P   | 4-440054-7  |
| 43,940       | 65         | 2P   | 4-440054-6  |
| 20,280       | 30         | 5P   | 2-440054-9  |
| 27,040       | 40         | 4P   | 2-440054-8  |
| 33,800       | 50         | 3P   | 2-440054-7  |
| 43,940       | 65         | 2P   | 2-440054-6  |
| 6,760        | 10         | 16P  | 5-440054-6  |
| 8,112        | 12         | 15P  | 5-440054-5  |
| 8,112        | 12         | 14P  | 5-440054-4  |
| 8,788        | 13         | 13P  | 5-440054-3  |
| 10,140       | 15         | 12P  | 5-440054-2  |
| 10,816       | 16         | 11P  | 5-440054-1  |
| 12,168       | 18         | 10P  | 5-440054-0  |
| 13,520       | 20         | 9P   | 3-440054-9  |
| 14,872       | 22         | 8P   | 3-440054-8  |
| 16,900       | 25         | 7P   | 3-440054-7  |
| 18,928       | 28         | 6P   | 3-440054-6  |
| 20,280       | 30         | 5P   | 3-440054-5  |
| 27,040       | 40         | 4P   | 3-440054-4  |
| 33,800       | 50         | 3P   | 3-440054-3  |
| 43,940       | 65         | 2P   | 3-440054-2  |
| APQ          | PPQ        | POS. | PART NUMBER |
| (PCS/CARTON) | (PCS/TUBE) |      |             |

THIS DRAWING IS A CONTROLLED DOCUMENT.

DWN

CHK

APVD

PRODUCT SPEC

APPLICATION SPEC

WEIGHT

CUSTOMER DRAWING



TE Connectivity

NAME

2.0 MM PITCH HPI VERTICAL POST HEADERS

SIZE

CAGE CODE

DRAWING NO

RESTRICTED TO

A3

00779

C=440054

SCALE

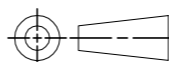
SHEET

6 of 9

REV F8

DIMENSIONS:

MM



TOLERANCES UNLESS OTHERWISE SPECIFIED:

|        |     |
|--------|-----|
| 0 PLC  | ± - |
| 1 PLC  | ± - |
| 2 PLC  | ± - |
| 3 PLC  | ± - |
| 4 PLC  | ± - |
| ANGLES | ± - |

MATERIAL

FINISH

4

3

2

1

THIS DRAWING IS UNPUBLISHED.

RELEASED FOR PUBLICATION

AUG ,2006.

© COPYRIGHT 2009 BY TYCO ELECTRONICS CORPORATION. ALL RIGHTS RESERVED.

LOC

DIST

REVISIONS

DW

P

LTR

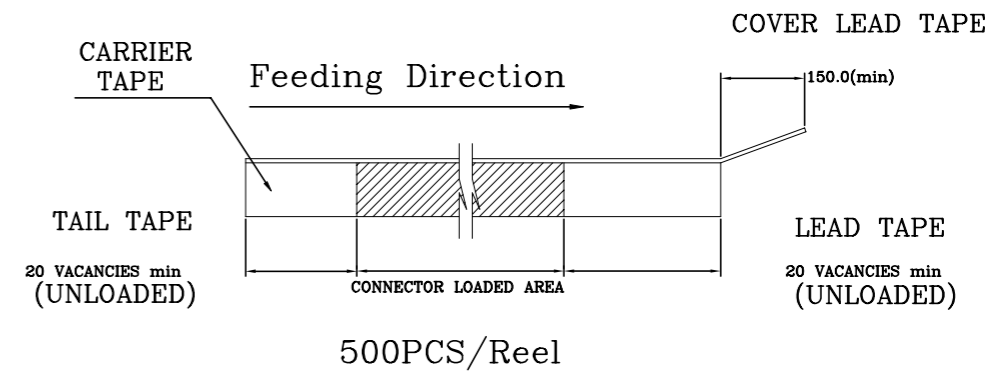
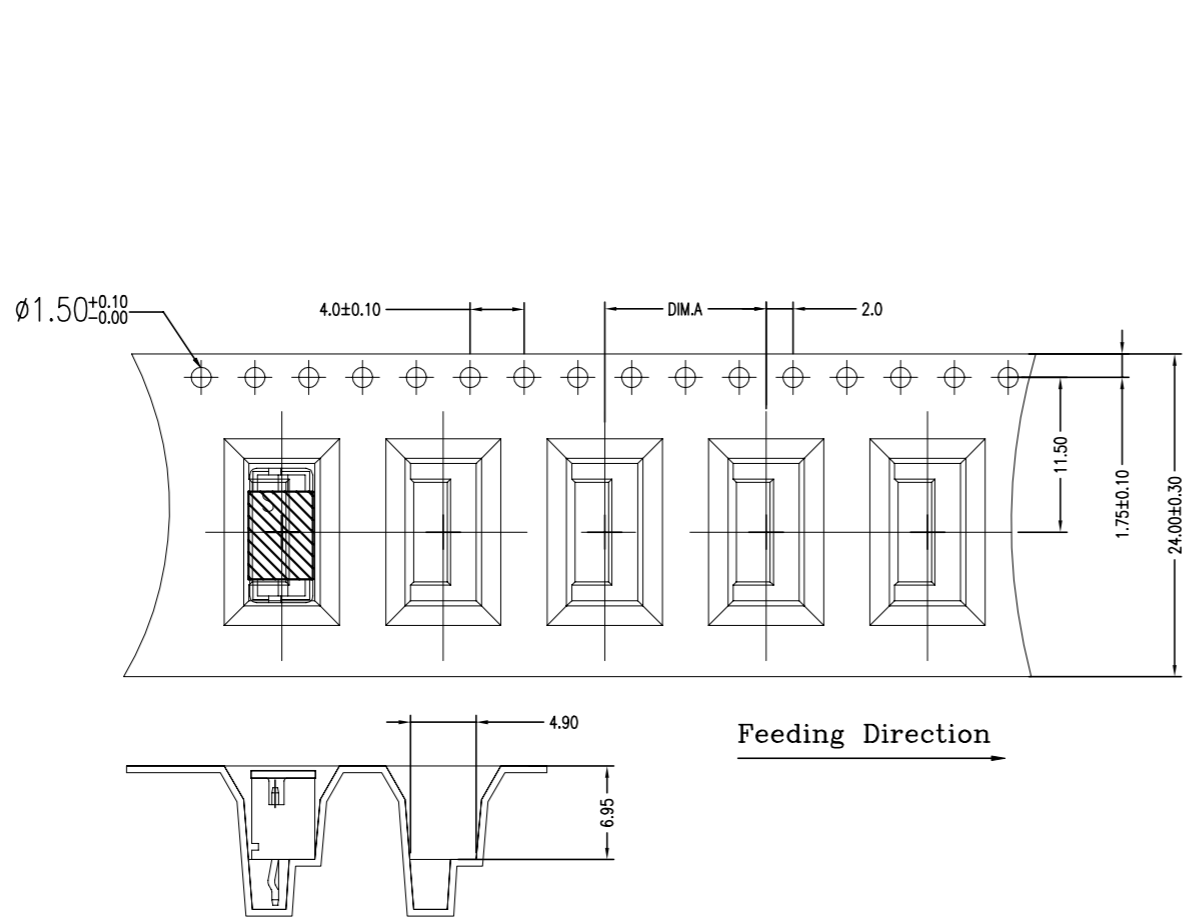
DESCRIPTION

DATE

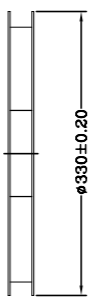
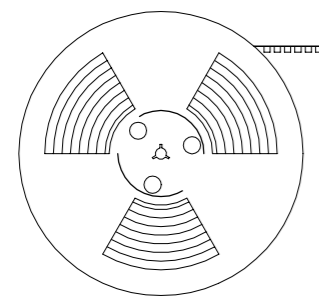
DWN

APVD

SEE SHEET 1.



Feeding Direction



|       |      |                     |                   |      |             |
|-------|------|---------------------|-------------------|------|-------------|
| 12.0  | WITH | 2000                | 500               | 4P   | 8-440054-6  |
| 12.0  | WITH | 2000                | 500               | 4P   | 9-440054-4  |
| DIM.A | CAP  | APQ<br>(PCS/CARTON) | PPQ<br>(PCS/REEL) | POS. | PART NUMBER |

|  |  |                  |  |   |  |
|--|--|------------------|--|---|--|
| THIS DRAWING IS A CONTROLLED DOCUMENT. |  | DWN              |  | <b>STE</b> TE Connectivity              |  |
| DIMENSIONS:<br>MM                      |  | CHK              |  |   |  |
| TOLERANCES UNLESS OTHERWISE SPECIFIED: |  | APVD             |  | NAME                                    |  |
| 0 PLC ± -                              |  | PRODUCT SPEC     |  | 2.0 MM PITCH HPI VERTICAL POST HEADERS  |  |
| 1 PLC ± -                              |  | APPLICATION SPEC |  | SIZE CAGE CODE DRAWING NO RESTRICTED TO |  |
| 2 PLC ± -                              |  | WEIGHT           |  | A3 00779 C=440054                       |  |
| 3 PLC ± -                              |  | CUSTOMER DRAWING |  | SCALE SHEET 7 of 9 REV F8               |  |
| 4 PLC ± -                              |  |                  |  |   |  |
| ANGLES ± -                             |  |                  |  |   |  |
| MATERIAL                               |  |                  |  |   |  |
| FINISH                                 |  |                  |  |   |  |

4

3

2

1

THIS DRAWING IS UNPUBLISHED.

RELEASED FOR PUBLICATION

AUG ,2006.

© COPYRIGHT 2009 BY TYCO ELECTRONICS CORPORATION. ALL RIGHTS RESERVED.

LOC

DIST

REVISIONS

DW

P

LTR

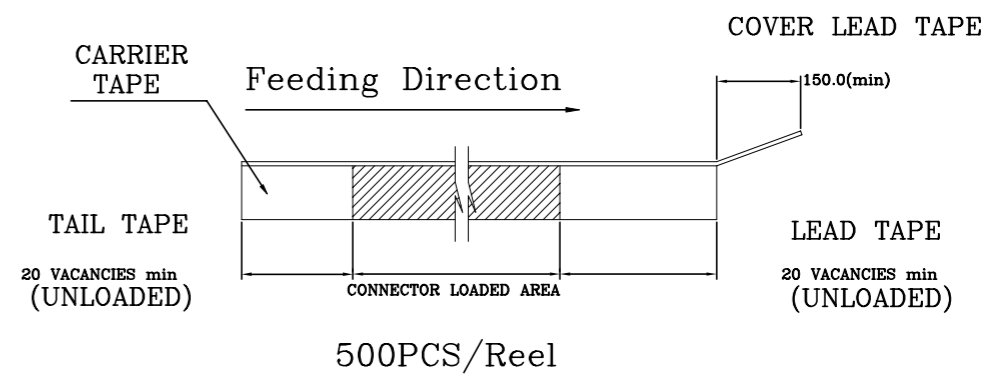
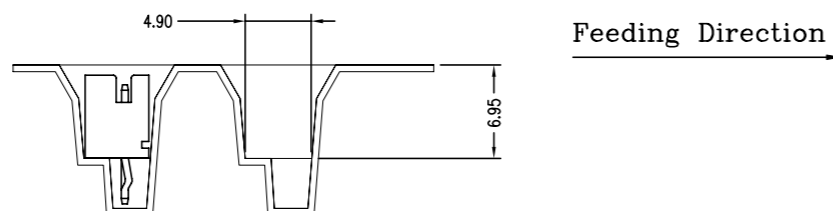
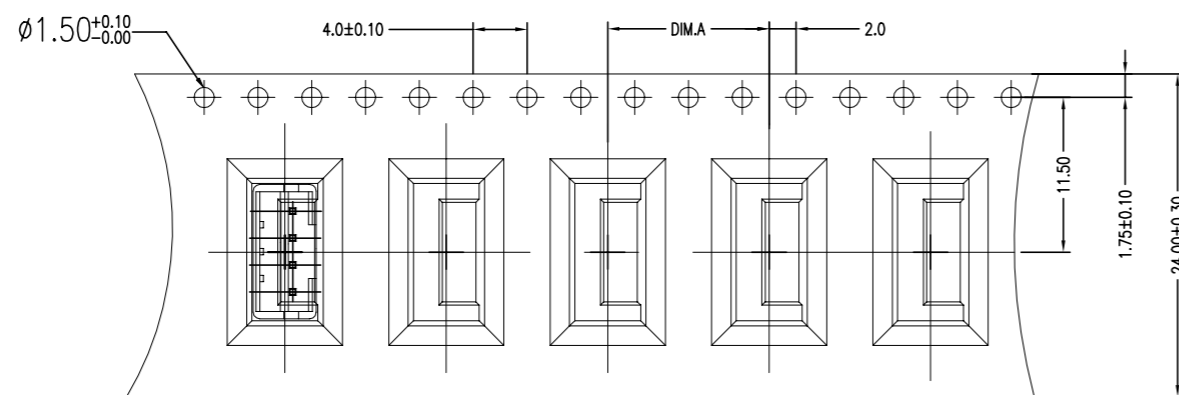
DESCRIPTION

DATE

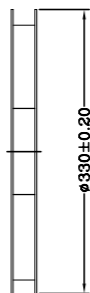
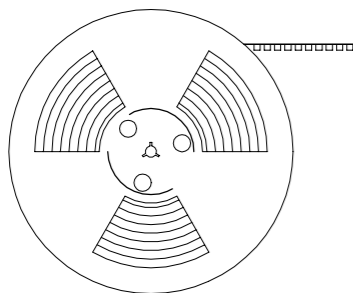
DWN

APVD

SEE SHEET 1.



Feeding Direction



|       |         |                     |                   |      |             |
|-------|---------|---------------------|-------------------|------|-------------|
| 16.0  | WITHOUT | 1800                | 450               | 4P   | 9-440054-1  |
| DIM.A | CAP     | APQ<br>(PCS/CARTON) | PPQ<br>(PCS/REEL) | POS. | PART NUMBER |

|  |  |                  |  |   |  |
|--|--|------------------|--|---|--|
| THIS DRAWING IS A CONTROLLED DOCUMENT. |  | DWN              |  | <b>STE</b> TE Connectivity              |  |
| DIMENSIONS:<br>MM                      |  | CHK              |  |   |  |
| TOLERANCES UNLESS OTHERWISE SPECIFIED: |  | APVD             |  | NAME                                    |  |
| 0 PLC ± -                              |  | PRODUCT SPEC     |  | 2.0 MM PITCH HPI VERTICAL POST HEADERS  |  |
| 1 PLC ± -                              |  | APPLICATION SPEC |  | SIZE CAGE CODE DRAWING NO RESTRICTED TO |  |
| 2 PLC ± -                              |  | WEIGHT           |  | A3 00779 C=440054                       |  |
| 3 PLC ± -                              |  | CUSTOMER DRAWING |  | SCALE SHEET 8 of 9 REV F8               |  |
| 4 PLC ± -                              |  |                  |  |   |  |
| ANGLES ± -                             |  |                  |  |   |  |
| MATERIAL                               |  | FINISH           |  |   |  |



4

3

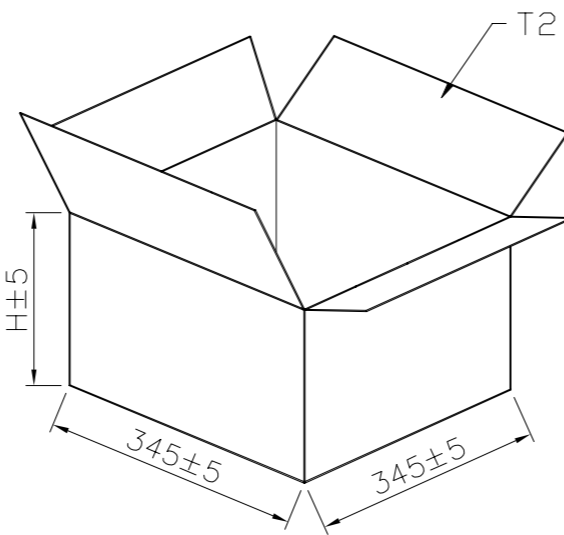
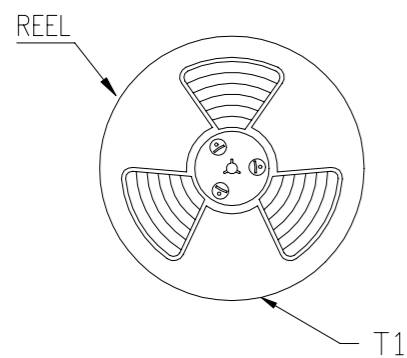
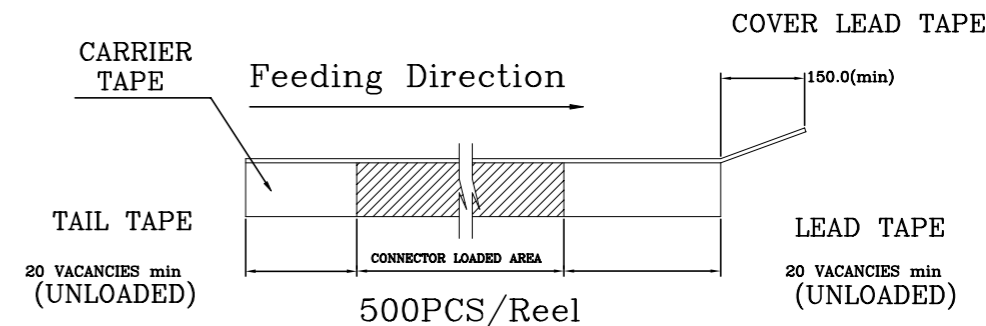
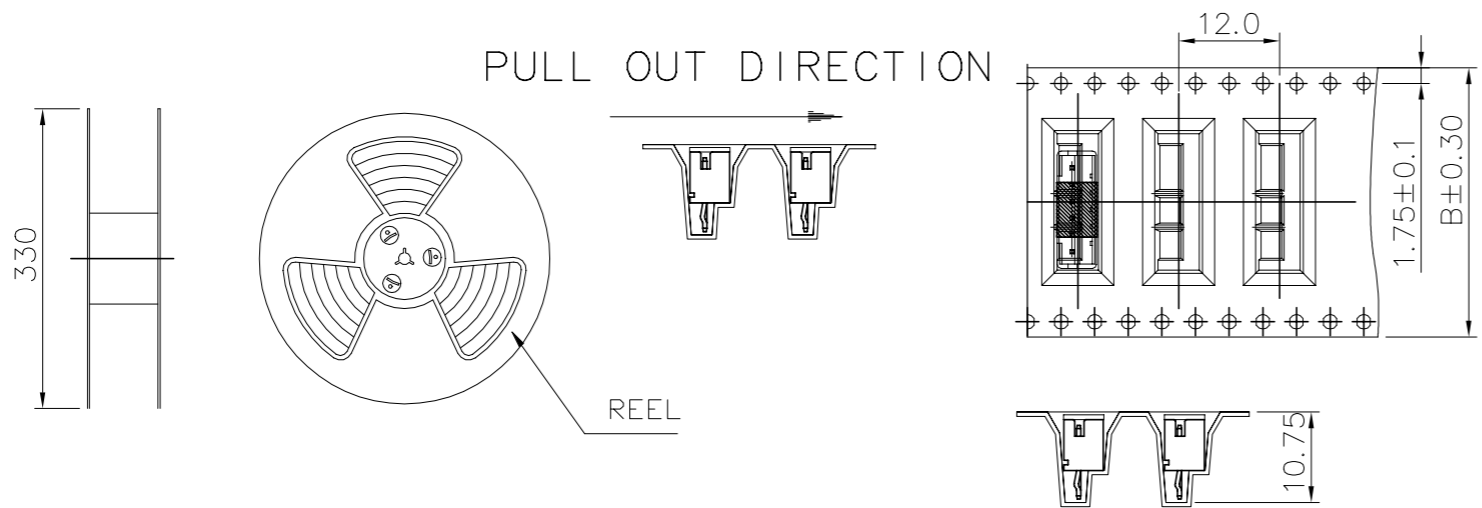
2

1

THIS DRAWING IS UNPUBLISHED. RELEASED FOR PUBLICATION AUG ,2006.

© COPYRIGHT 2009 BY TYCO ELECTRONICS CORPORATION. ALL RIGHTS RESERVED.

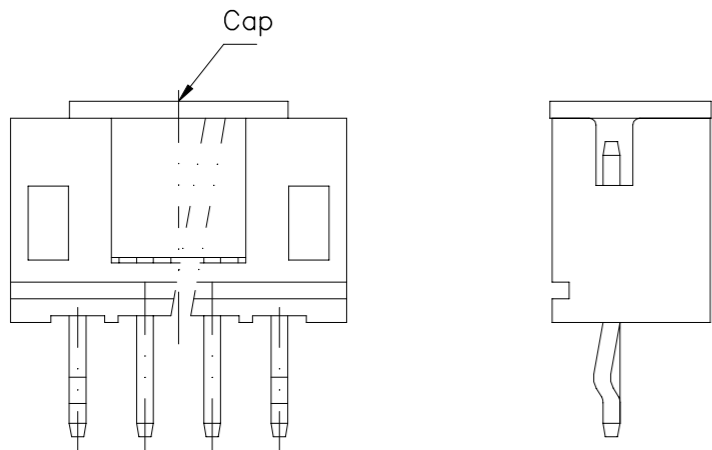
| LOC | DIST | REVISIONS |     |              |      |     |      |
|-----|------|-----------|-----|--------------|------|-----|------|
| DW  |      | P         | LTR | DESCRIPTION  | DATE | DWN | APVD |
|     |      |           |     | SEE SHEET 1. |      |     |      |



| H(mm) | POS | B(mm) | PCS./REEL | PCS/CARTON-T2  |
|-------|-----|-------|-----------|----------------|
| 225   | 10P | 44    | 500 PCS.  | 500X4=2000PCS. |
| 125   | 7P  | 32    | 500 PCS.  | 500X3=1500PCS. |

NOTE:  
 9-440054-0 10POS WAVE SOLDER PART CAP TYPE.  
 8-/9-440054-7 7POS WAVE SOLDER PART CAP TYPE.

|       |                  |                |      |             |
|-------|------------------|----------------|------|-------------|
| 32.0  | 1500             | 500            | 7P   | 8-440054-7  |
| 32.0  | 1500             | 500            | 7P   | 9-440054-7  |
| 44.0  | 2000             | 500            | 10P  | 9-440054-0  |
| B(mm) | APQ (PCS/CARTON) | PPQ (PCS/REEL) | POS. | PART NUMBER |



|  |  |                  |  |   |  |
|--|--|------------------|--|---|--|
| THIS DRAWING IS A CONTROLLED DOCUMENT. |  | DWN              |  | <b>STE</b> TE Connectivity              |  |
| DIMENSIONS: MM                         |  | CHK              |  |   |  |
| TOLERANCES UNLESS OTHERWISE SPECIFIED: |  | APVD             |  | NAME                                    |  |
| 0 PLC ± -                              |  | PRODUCT SPEC     |  | 2.0 MM PITCH HPI VERTICAL POST HEADERS  |  |
| 1 PLC ± -                              |  | APPLICATION SPEC |  | SIZE CAGE CODE DRAWING NO RESTRICTED TO |  |
| 2 PLC ± -                              |  | WEIGHT           |  | A3 00779 C=440054                       |  |
| 3 PLC ± -                              |  | CUSTOMER DRAWING |  | SCALE SHEET 9 of 9 REV F8               |  |
| 4 PLC ± -                              |  |                  |  |   |  |
| ANGLES ± -                             |  |                  |  |   |  |
| MATERIAL FINISH                        |  |                  |  |   |  |

## X-ON Electronics

Largest Supplier of Electrical and Electronic Components

*Click to view similar products for [Headers & Wire Housings](#) category:*

*Click to view products by [TE Connectivity](#) manufacturer:*

Other Similar products are found below :

[57102-F02-18ULF](#) [58102-G61-06LF](#) [0009485154](#) [009176003701906](#) [0050291907](#) [00-9021-0611-00-339](#) [02.125.8002.8](#) [609-3404](#) [61062-3](#)  
[622-0430](#) [622-3653LF](#) [63453-116](#) [636-1030](#) [636-1427](#) [636-3427](#) [636-4007](#) [641938-9](#) [644827-2](#) [65495-038](#) [65692-001LF](#) [65781-018](#)  
[65781-047](#) [65817-010LF](#) [65817-015LF](#) [66207-023LF](#) [67016-026LF](#) [67095-007LF](#) [68631-112](#) [68645-018](#) [68648-049](#) [699319-000](#)  
[70.362.1628.0](#) [70-4210](#) [70-4226B](#) [70-4853B](#) [707-5020](#) [707-5028](#) [71.350.2428.0](#) [71961-016LF](#) [733-134](#) [754199-000](#) [760-3052](#) [787-8014-00](#)  
[FCN-367T-T012/H](#) [80.063.4001.1](#) [800-90-001-10-001000](#) [800-90-010-10-002000](#) [801-43-002-10-013000](#) [801-43-006-10-002000](#)  
[803-41-018-10-001000](#)