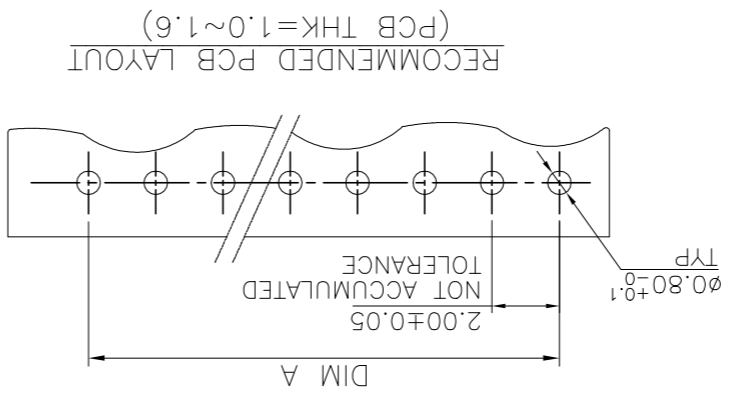
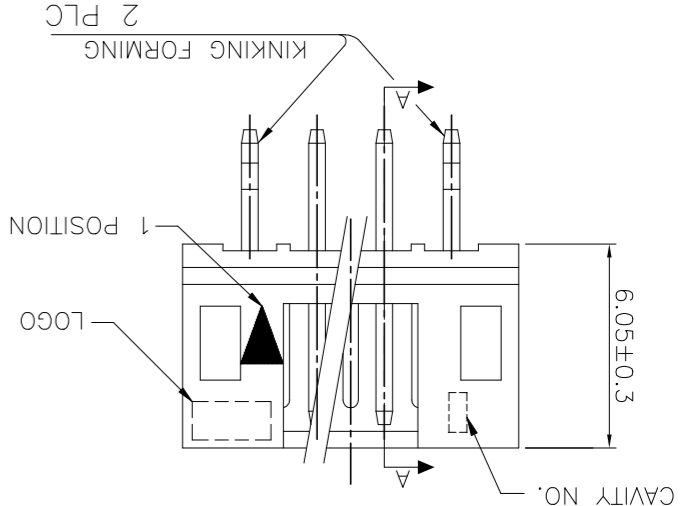
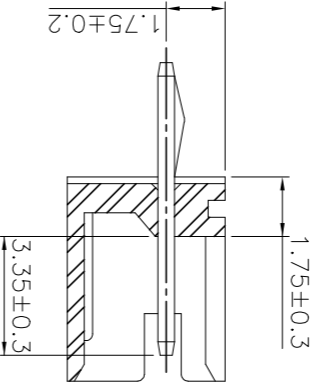
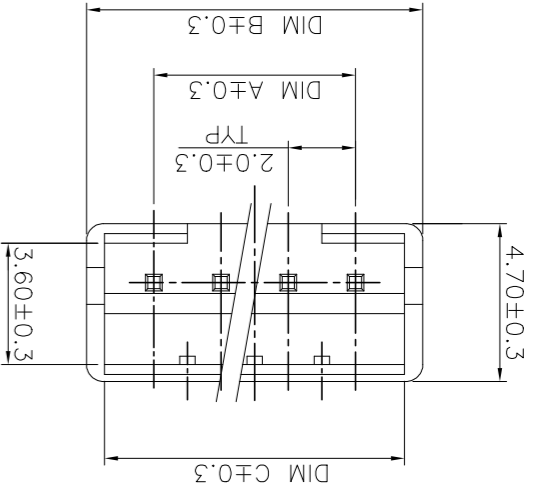
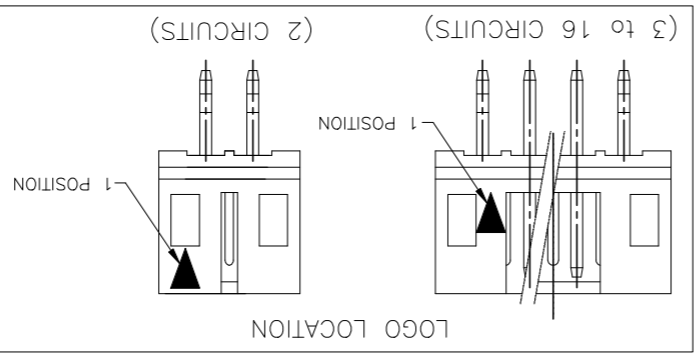


LOC	DW	DIST	
P	LTR		
F5	ECR-19-004884	DATE	27MAR19
T.O	W.H	APVD	

- NOTES:
- MATERIAL: HOUSING: NYLON 66, UL94V-0, COLOR: SEE TABLE. CONTACT: BRASS, THICKNESS=0.50mm.
 - FINISH: 2.03um[80u"] MIN. BRIGHT-TIN PLATING ON CONTACT. 1.27um[50u"] MIN. NICKEL ENTIRE CONTACT UNDERPLATED.
 - WAVE SOLDER CAPABLE TO 265C PER TEST SPEC.
 - RAISED TYPE PN: 9-440054-2
4. RAISED TYPE PN: 9-440054-0 AND 9-440054-7



RECOMMENDED PCB LAYOUT (PCB THK=1.0~1.6)



PACKAGE	COLOR	DIM C	DIM B	DIM A	POS	PART NUMBER
TUBE	NATURAL	4.90	6.00	2.00	2P	3-440054-2
		6.90	8.00	4.00	3P	3-440054-3
		8.90	10.00	6.00	4P	3-440054-4
		10.90	12.00	8.00	5P	3-440054-5
		12.90	14.00	10.00	6P	3-440054-6
	BLUE	4.90	6.00	2.00	2P	2-440054-6
		6.90	8.00	4.00	3P	2-440054-7
		8.90	10.00	6.00	4P	2-440054-8
		10.90	12.00	8.00	5P	2-440054-9
		12.90	14.00	10.00	6P	2-440054-10
POLY BAG	YELLOW	4.90	6.00	2.00	2P	4-440054-7
		6.90	8.00	4.00	3P	4-440054-8
		8.90	10.00	6.00	4P	4-440054-9
		10.90	12.00	8.00	5P	4-440054-10
		12.90	14.00	10.00	6P	4-440054-11
	BLACK	4.90	6.00	2.00	2P	6-440054-6
		6.90	8.00	4.00	3P	6-440054-7
		8.90	10.00	6.00	4P	6-440054-8
		10.90	12.00	8.00	5P	6-440054-9
		12.90	14.00	10.00	6P	6-440054-10
POLY BAG	RED	4.90	6.00	2.00	2P	8-440054-7
		6.90	8.00	4.00	3P	8-440054-8
		8.90	10.00	6.00	4P	8-440054-9
		10.90	12.00	8.00	5P	8-440054-10
		12.90	14.00	10.00	6P	8-440054-11
	GREEN	4.90	6.00	2.00	2P	9-440054-6
		6.90	8.00	4.00	3P	9-440054-7
		8.90	10.00	6.00	4P	9-440054-8
		10.90	12.00	8.00	5P	9-440054-9
		12.90	14.00	10.00	6P	9-440054-10
TAP REEL	NATURAL	14.90	16.00	12.00	7P	9-440054-7
		16.90	18.00	14.00	8P	9-440054-8
		18.90	20.00	16.00	9P	9-440054-9
		20.90	22.00	18.00	10P	9-440054-10
		22.90	24.00	20.00	11P	9-440054-11
	WHITE	14.90	16.00	12.00	7P	1-440054-1
		16.90	18.00	14.00	8P	1-440054-2
		18.90	20.00	16.00	9P	1-440054-3
		20.90	22.00	18.00	10P	1-440054-4
		22.90	24.00	20.00	11P	1-440054-5
TAP REEL	BLUE	4.90	6.00	2.00	2P	2-440054-2
		6.90	8.00	4.00	3P	2-440054-3
		8.90	10.00	6.00	4P	2-440054-4
		10.90	12.00	8.00	5P	2-440054-5
		12.90	14.00	10.00	6P	2-440054-6
	YELLOW	4.90	6.00	2.00	2P	4-440054-2
		6.90	8.00	4.00	3P	4-440054-3
		8.90	10.00	6.00	4P	4-440054-4
		10.90	12.00	8.00	5P	4-440054-5
		12.90	14.00	10.00	6P	4-440054-6
TAP REEL	BLACK	4.90	6.00	2.00	2P	6-440054-2
		6.90	8.00	4.00	3P	6-440054-3
		8.90	10.00	6.00	4P	6-440054-4
		10.90	12.00	8.00	5P	6-440054-5
		12.90	14.00	10.00	6P	6-440054-6
	NATURAL	4.90	6.00	2.00	2P	3-440054-2
		6.90	8.00	4.00	3P	3-440054-3
		8.90	10.00	6.00	4P	3-440054-4
		10.90	12.00	8.00	5P	3-440054-5
		12.90	14.00	10.00	6P	3-440054-6

THIS DRAWING IS A CONTROLLED DOCUMENT.

APVD: W.J. KE 16JUL2004
CHK: S. HOU 16JUL2004
DWN: O. HU 16JUL2004

PRODUCT SPEC: 108-57100
APPLICATION SPEC: GRAMS

WEIGHT: A3 00779
CAGE CODE: 440054

NAME: TE Connectivity

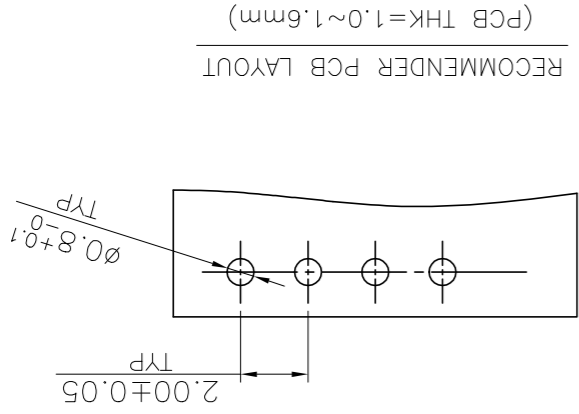
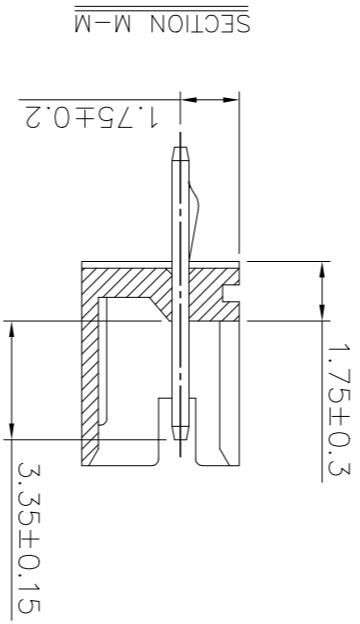
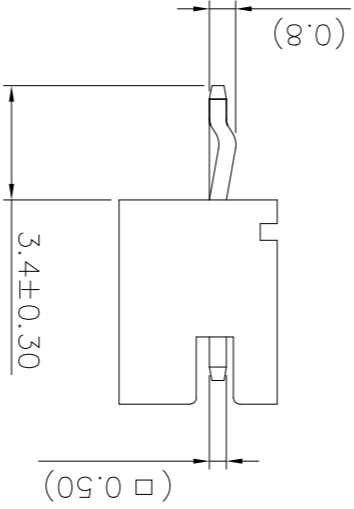
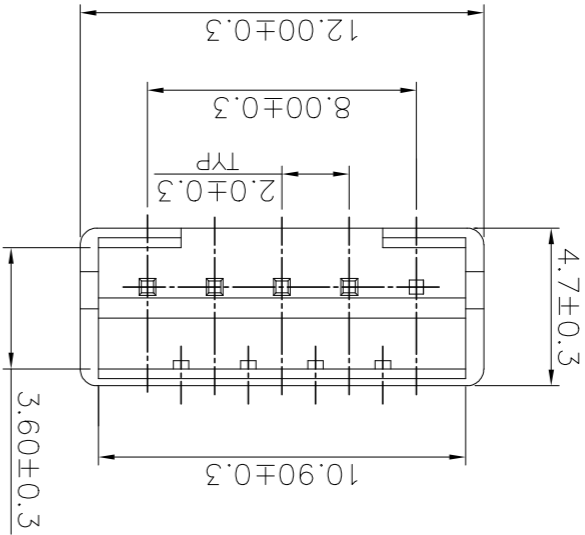
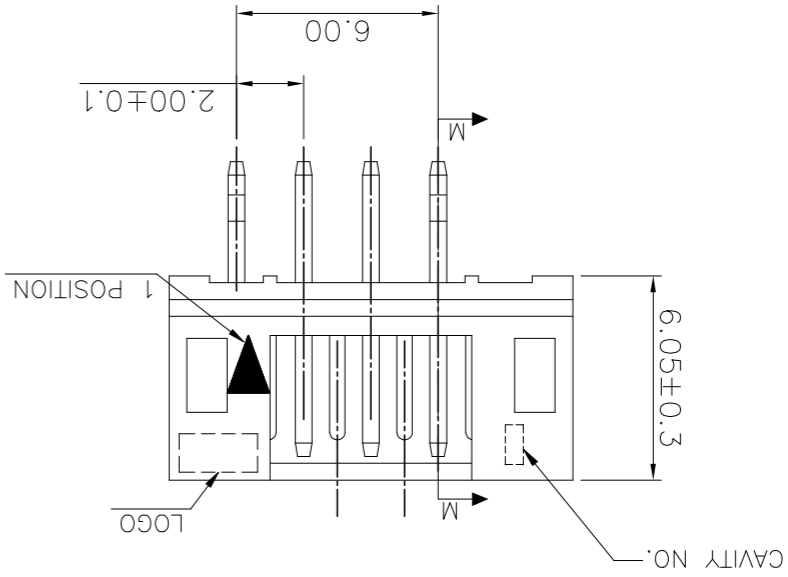
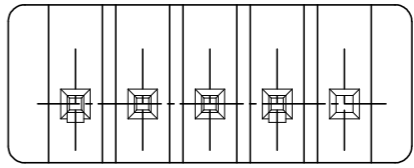
SEE NOTE: DIMENSIONS: MM
TOLERANCES UNLESS OTHERWISE SPECIFIED:
0 PLC ±
1 PLC ±0.3
2 PLC ±0.2
3 PLC ±0.15
4 PLC ±.3
ANGLES

SEE NOTE: CUSTOMER DRAWING

SCALE: 1 OF 9 REV F5

SEE NOTE (PAGE 1.)		SEE NOTE (PAGE 1.)		CUSTOMER DRAWING		SHEET 2 OF 9 REV F5	
MATERIAL		FINISH		WEIGHT		SIZE	
DIMENSIONS: MM		ANGLES		APVD		CAGE CODE	
TOLERANCES UNLESS OTHERWISE SPECIFIED:		TOLERANCES UNLESS OTHERWISE SPECIFIED:		CHK		DRAWING NO	
THIS DRAWING IS A CONTROLLED DOCUMENT.		TOLERANCES UNLESS OTHERWISE SPECIFIED:		DWN		DRAING NO	
0 PLC ±		±		PRODUCT SPEC		APVD	
1 PLC ±0.3		±0.3		APPLICATION SPEC		NAME	
2 PLC ±0.2		±0.15		APVD		TE Connectivity	
3 PLC ±0.15		±0.15		DWN		APVD	
4 PLC ±.3		±.3		DWN		APVD	

PIN NUMBER LACKED	POS	PIN NUMBER	COLOR	PACKAGE	POLY
9-440054-5	4P	PIN 5	WHITE	BAG	NATURAL

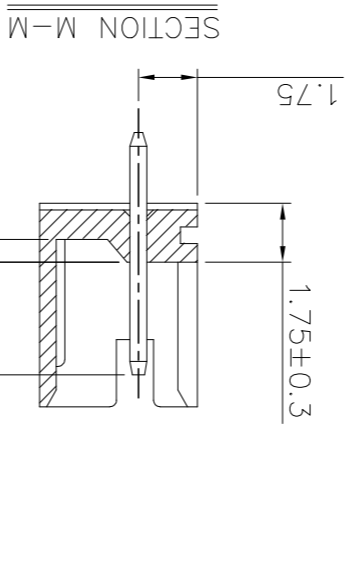
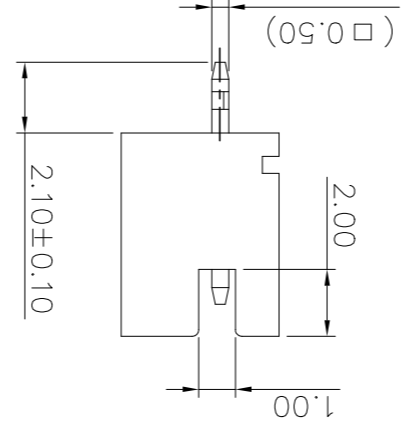
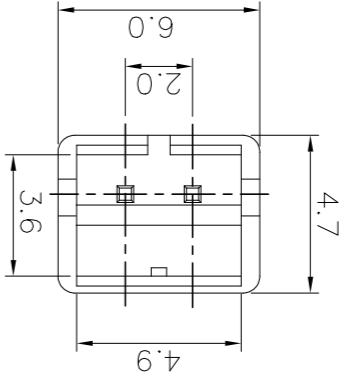
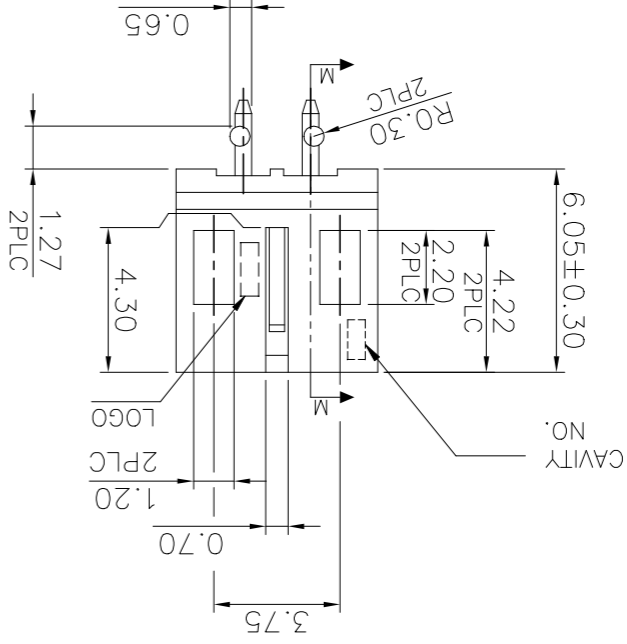
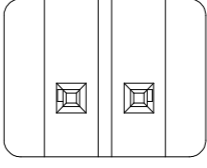


RECOMMENDER PCB LAYOUT
(PCB THK=1.0~1.6mm)

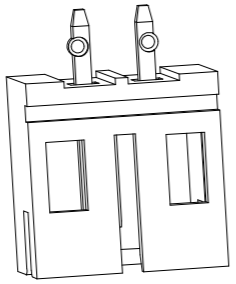
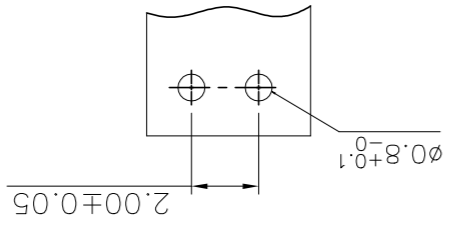
LOC		DIST		P		LTR		DESCRIPTION		DATE		DWN		APVD	
DW		/		/		/		/		/		/		/	
SEE SHEET 1.		/		/		/		/		/		/		/	

SEE NOTE (PAGE 1.)		SEE NOTE (PAGE 1.)	
MATERIAL		FINISH	
		0 PLC ± 1 PLC ±0.3 2 PLC ±0.2 3 PLC ±0.15 4 PLC ±.3	
DIMENSIONS: MM		TOLERANCES UNLESS OTHERWISE SPECIFIED:	
THIS DRAWING IS A CONTROLLED DOCUMENT.			
DWN	CHK	APVD	NAME
TE Connectivity			
PRODUCT SPEC		APPLICATION SPEC	
SIZE		CAGE CODE	
A3		00779	
DRAWING NO		G-440054	
RESTRICTED TO		SCALE	
-		-	
REV F5		SHEET 3 OF 9	

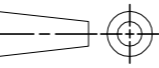

POLY BAG	NATURAL	2P	9-440054-2
PACKAGE	COLOR	POS	PART NUMBER



RECOMMENDED PCB LAYOUT (PCB THK=1.0MM~1.6MM)

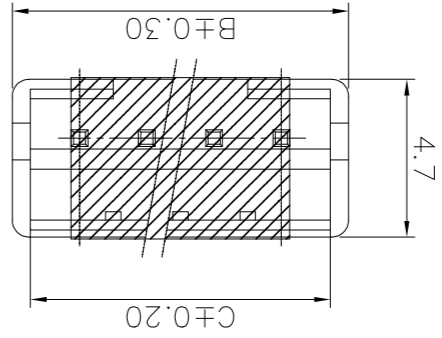
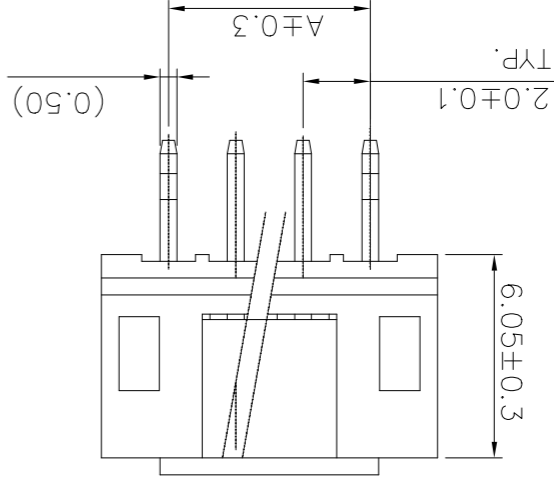
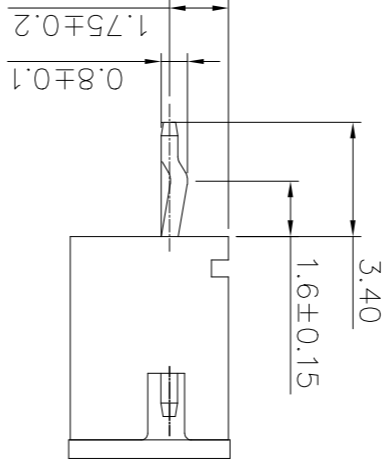
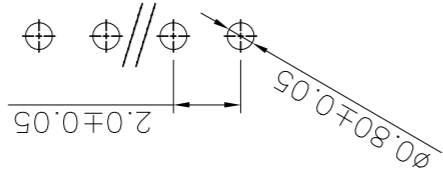


LOC		DIST	
DW		P	LTR
DESCRIPTION		DATE	
SEE SHEET 1.		DATE	
REVISIONS		DWN	
		APVD	

SEE NOTE (PAGE 1.)		SEE NOTE (PAGE 1.)	
MATERIAL		FINISH	
		0 PLC ± 1 PLC ±0.3 2 PLC ±0.2 3 PLC ±0.15 4 PLC ±.3	
DIMENSIONS: MM		TOLERANCES UNLESS OTHERWISE SPECIFIED:	
THIS DRAWING IS A CONTROLLED DOCUMENT.			
DWN	CHK	APVD	NAME
			
2.0 MM PITCH HPI VERTICAL POST HEADERS			
RESTRICTED TO	DRAWING NO	CAGE CODE	SIZE
—	—	00779	A3
REV	SHEET	SCALE	CUSTOMER DRAWING
F5	4 OF 9	—	—

CAP	PACKAGE	COLOR	DIM C	DIM B	DIM A	POS	PART NUMBER
WITH	TAPE REEL	NATURAL WHITE	8.90	10.00	6.00	4P	9-440054-4
WITHOUT	TAPE REEL	NATURAL WHITE	8.90	10.00	6.00	4P	9-440054-1

RECOMMENDED PCB LAYOUT
(PCB THK=1.0MM~1.6MM)



- NOTES:
1. MATERIAL: HOUSING: NYLON 6T, UL94V-0, COLOR: SEE TABLE. CONTACT: BRASS, THICKNESS=0.50mm.
 2. FINISH: 2.03um[80u"] MIN. BRIGHT-TIN PLATING ON CONTACT. 1.27um[50u"] MIN. NICKEL ENTIRE CONTACT UNDERPLATED.
 3. (SMT) REFLOW PROCESS NEED AFFORD 260.C.

LOC	DIST	P	LTR	DESCRIPTION	DATE	DWN	APVD
DW	—	—	—	SEE SHEET 1.	—	—	—
—	—	—	—	REVISIONS	—	—	—

THIS DRAWING IS A CONTROLLED DOCUMENT.

DWN CHK APVD NAME

PRODUCT SPEC APPLICATION SPEC WEIGHT

MATERIAL FINISH ANGLES

0 PLC ± -
1 PLC ± -
2 PLC ± -
3 PLC ± -
4 PLC ± -

TOLERANCES UNLESS OTHERWISE SPECIFIED:

DIMENSIONS: MM

SCALE: —

SHEET: 6 OF 9 REV F5

CUSTOMER DRAWING

DRAWING NO: G-440054

CAGE CODE: A300779

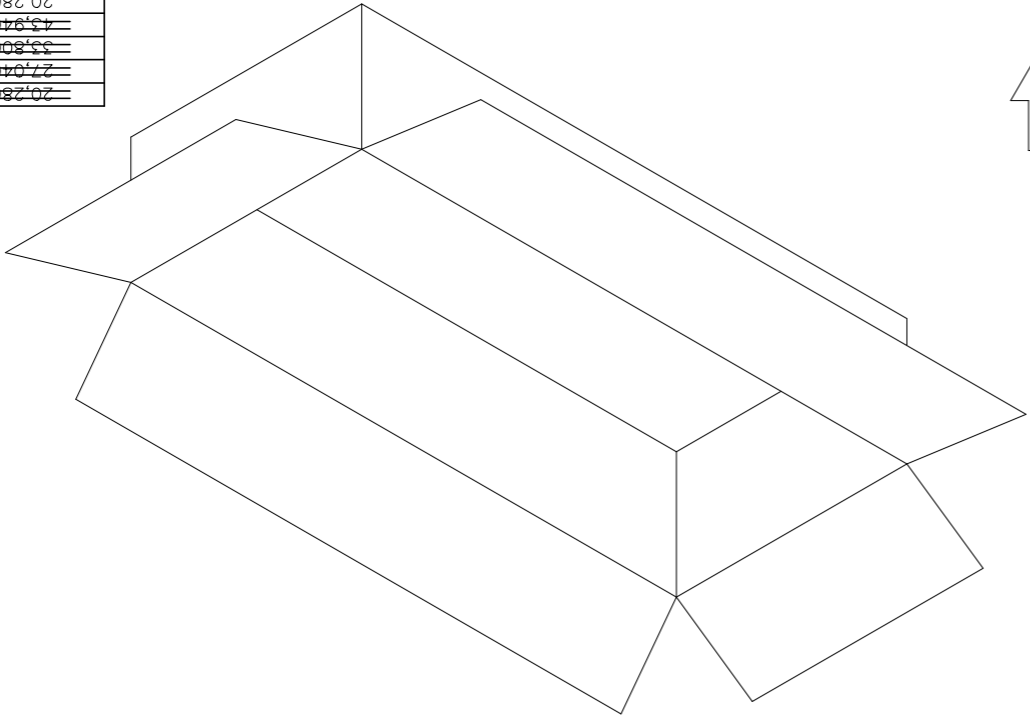
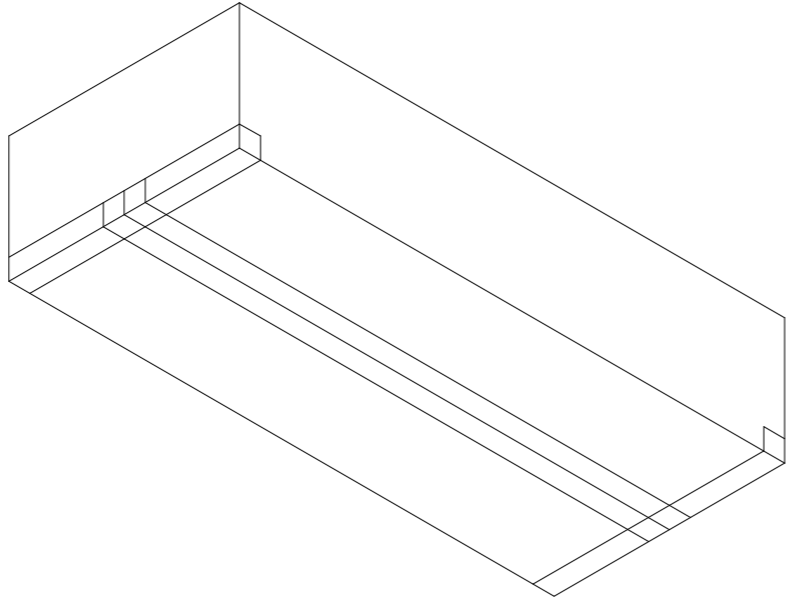
SIZE: A3

RESTRICTED TO: —

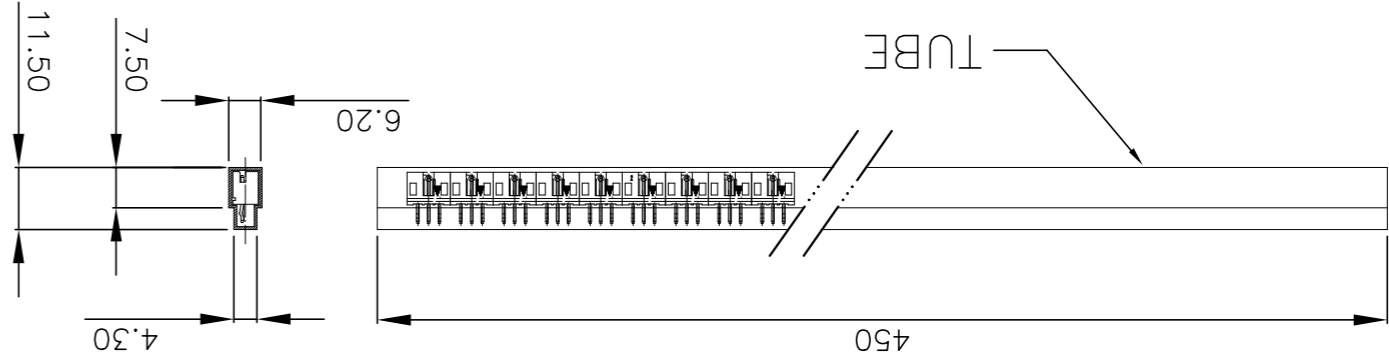
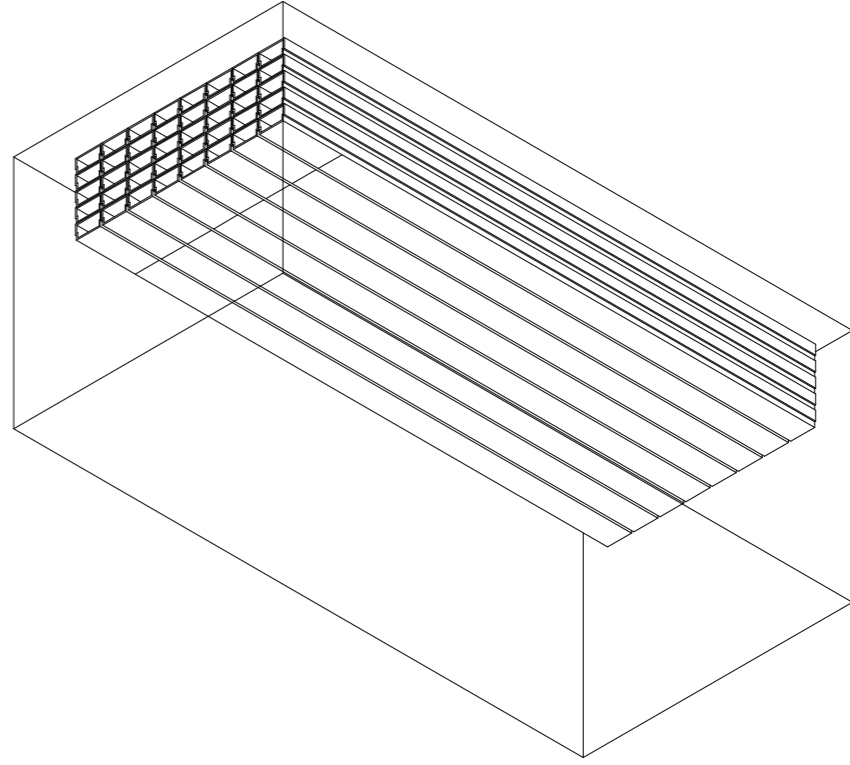
POS.	PART NUMBER	PPQ	(PCS/CARTON)	APQ
5P	8-440054-9	30	20,280	20,280
4P	8-440054-8	40	27,040	27,040
3P	8-440054-7	50	33,800	33,800
2P	8-440054-6	65	43,940	43,940
5P	6-440054-9	30	20,280	20,280
4P	6-440054-8	40	27,040	27,040
3P	6-440054-7	50	33,800	33,800
2P	6-440054-6	65	43,940	43,940
5P	4-440054-9	30	20,280	20,280
4P	4-440054-8	40	27,040	27,040
3P	4-440054-7	50	33,800	33,800
2P	4-440054-6	65	43,940	43,940
5P	2-440054-9	30	20,280	20,280
4P	2-440054-8	40	27,040	27,040
3P	2-440054-7	50	33,800	33,800
2P	2-440054-6	65	43,940	43,940
16P	5-440054-6	10	6,760	6,760
15P	5-440054-5	12	8,112	8,112
14P	5-440054-4	14	8,112	8,112
13P	5-440054-3	13	8,788	8,788
12P	5-440054-2	15	10,140	10,140
11P	5-440054-1	16	10,816	10,816
10P	5-440054-0	18	12,168	12,168
9P	3-440054-9	20	13,520	13,520
8P	3-440054-8	22	14,872	14,872
7P	3-440054-7	25	16,900	16,900
6P	3-440054-6	28	18,928	18,928
5P	3-440054-5	30	20,280	20,280
4P	3-440054-4	40	27,040	27,040
3P	3-440054-3	50	33,800	33,800
2P	3-440054-2	65	43,940	43,940

TE Connectivity

2.0 MM PITCH HPI VERTICAL POST HEADERS



CARTON 470 mm(L) X 340mm(W) X 178mm(H)



LOC	DIST	P	LTR	DESCRIPTION	DATE	DWN	APVD
DW				SEE SHEET 1.			

REVISIONS

THIS DRAWING IS UNPUBLISHED.
RELEASED FOR PUBLICATION
AUG. 2006.
ALL RIGHTS RESERVED.
BY TYCO ELECTRONICS CORPORATION.
COPYRIGHT 2009

CUSTOMER DRAWING		SCALE		SHEET 9 OF 9		REV F5	
MATERIAL		FINISH		WEIGHT		A3 00779	
DIMENSIONS: MM		TOLERANCES UNLESS OTHERWISE SPECIFIED:		APVD		NAME	
0 PLC ±		±		CHK		DWN	
1 PLC ±		±		APVD		NAME	
2 PLC ±		±		CHK		DWN	
3 PLC ±		±		APVD		NAME	
4 PLC ±		±		CHK		DWN	
ANGLES		±		APVD		NAME	
PRODUCT SPEC		APPLICATION SPEC		PRODUCT SPEC		APPLICATION SPEC	
2.0 MM PITCH HPI VERTICAL POST HEADERS		DRAWING NO		CAGE CODE		9-440054	
RESTRICTED TO		SCALE		SHEET		REV F5	

B(mm)	AP0	(PCS/CARTON)	PP0	POS. PART NUMBER
32.0	1500	500	7P	9-440054-7
44.0	2000	500	10P	9-440054-0

H(mm)	POS	B(mm)	PCS./REEL	PCS./CARTON-T2
125	7P	32	500 PCS.	500X3=1500PCS.
225	10P	44	500 PCS.	500X4=2000PCS.

NOTE:

9-440054-0 10PDS WAVE SOLDER PART CAP TYPE.

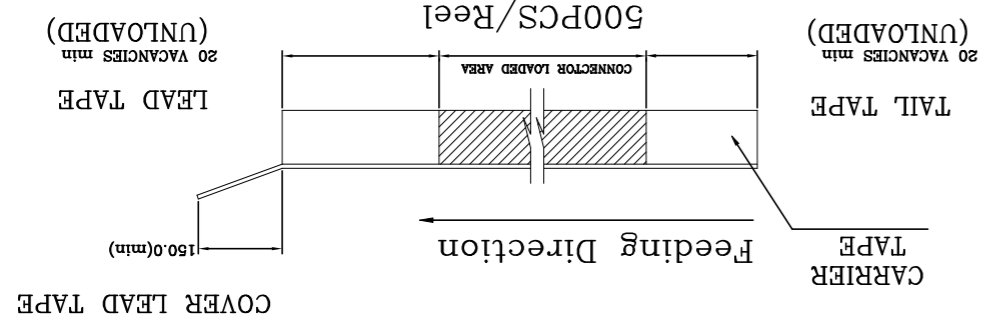
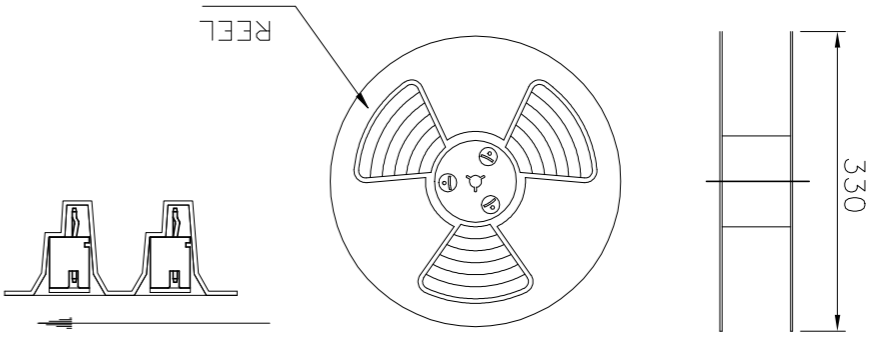
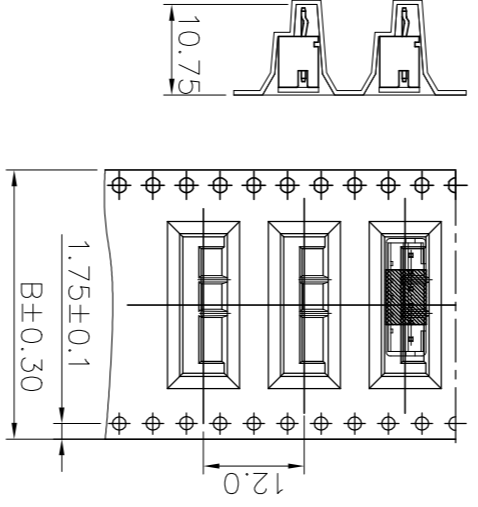
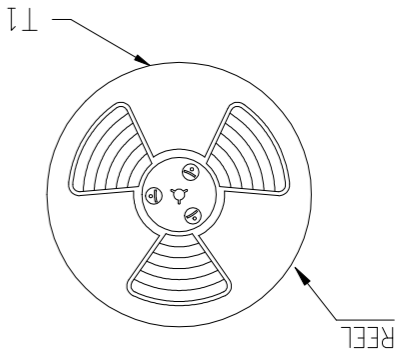
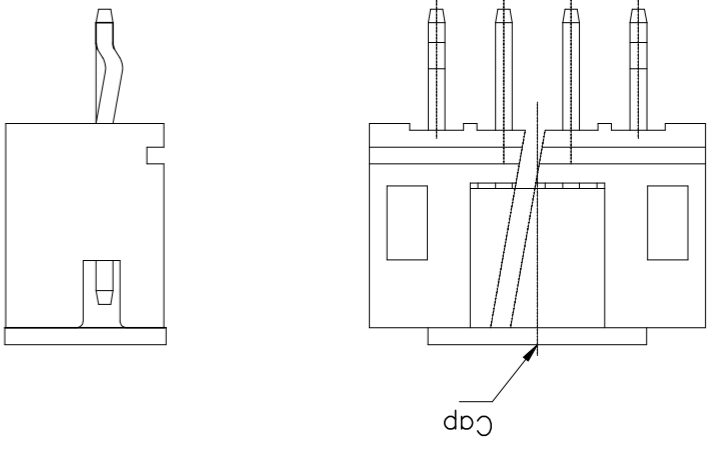
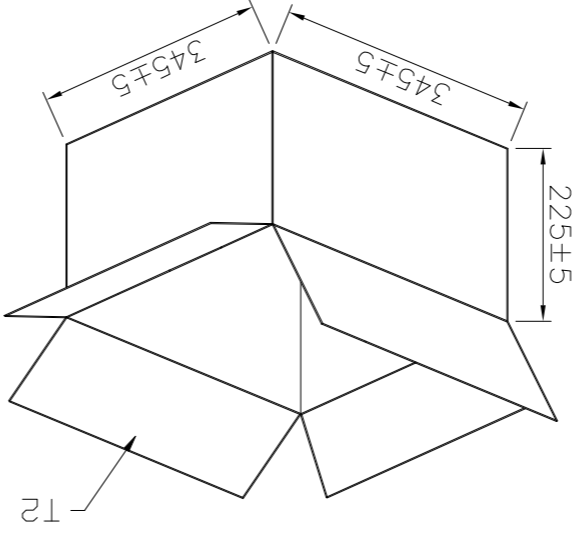
THIS DRAWING IS A CONTROLLED DOCUMENT.

OTHERWISE SPECIFIED:

PRODUCT SPEC

APPLICATION SPEC

WEIGHT



LOC	DW	DIST	SEE SHEET 1.
P	LTR	DESCRIPTION	DATE
DWN	APVD	REVISIONS	

X-ON Electronics

Largest Supplier of Electrical and Electronic Components

Click to view similar products for [Headers & Wire Housings](#) category:

Click to view products by [TE Connectivity](#) manufacturer:

Other Similar products are found below :

[95000-104TRLF](#) [10135584-644402LF](#) [DF62W-EP2022PCA](#) [95000-106TRLF](#) [DF62W-2022SCA](#) [DF62W-EP2022PC](#) [2203348](#) [DF62W-2022SC](#) [1084018](#) [1029039](#) [1084017](#) [802-10-012-10-002000](#) [1112640](#) [1112639](#) [000-34000](#) [0009482033](#) [0009507031](#) [57102-S06-03LF](#) [57202-S52-04LF](#) [PCN6-15S-2.5E](#) [0039019024](#) [58102-G61-06LF](#) [582553-1](#) [0009485154](#) [0009508121](#) [0022285053](#) [0050291907](#) [018731A](#) [LY20-4P-DT1-P1E-BR](#) [02.125.8002.8](#) [60101931](#) [60598-1 \(Cut Strip\)](#) [M1625-3R/100](#) [61062-3](#) [61082-181009](#) [636-1427](#) [638009-1](#) [641938-9](#) [641991-4](#) [644168-1](#) [647662-1](#) [65039-019ELF](#) [65781-047](#) [65817-002LF](#) [65817-015LF](#) [65863-015LF](#) [66207-023LF](#) [67016-026LF](#) [67046-001LF](#) [67095-007LF](#)