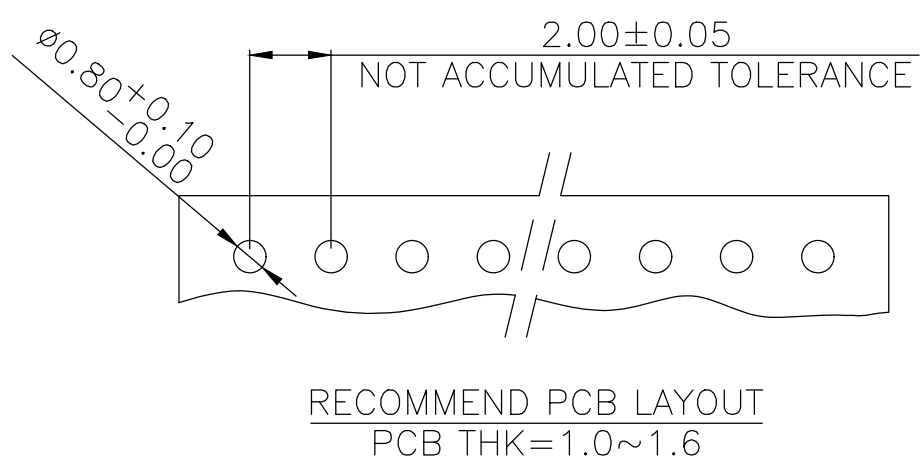
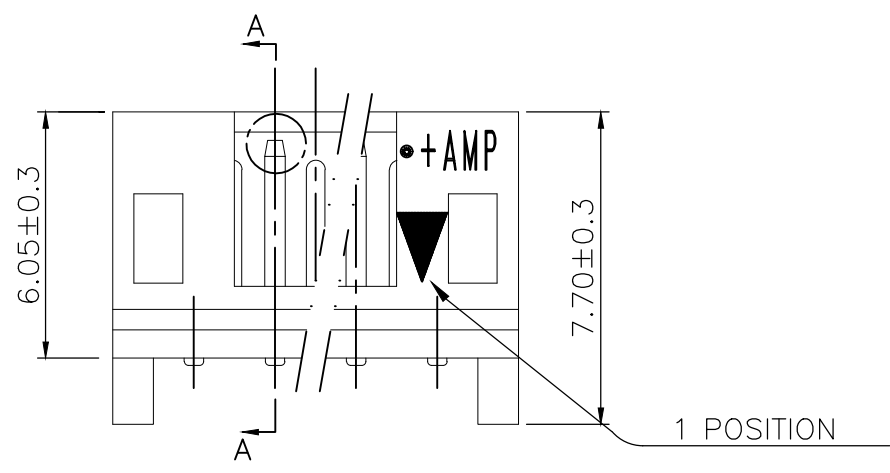
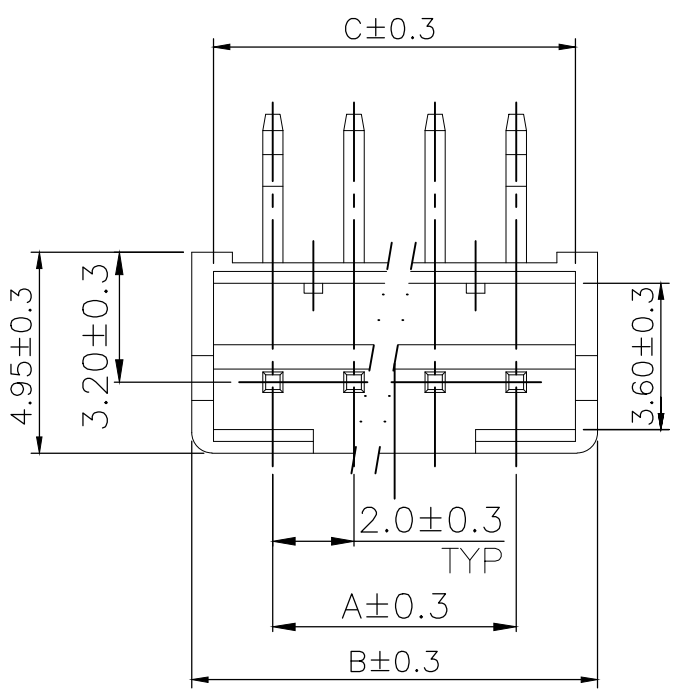
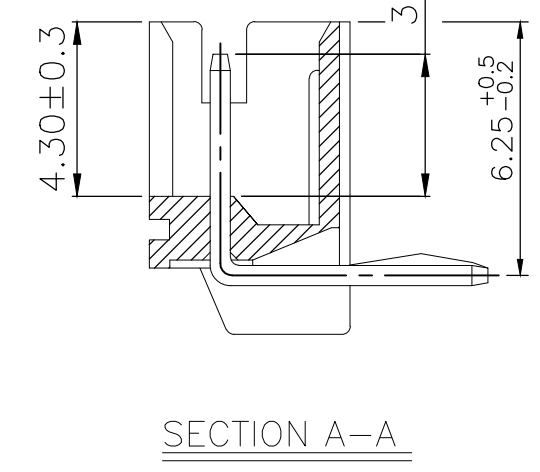
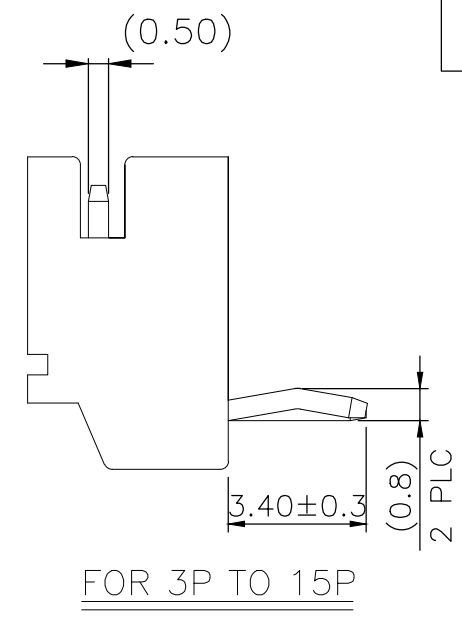
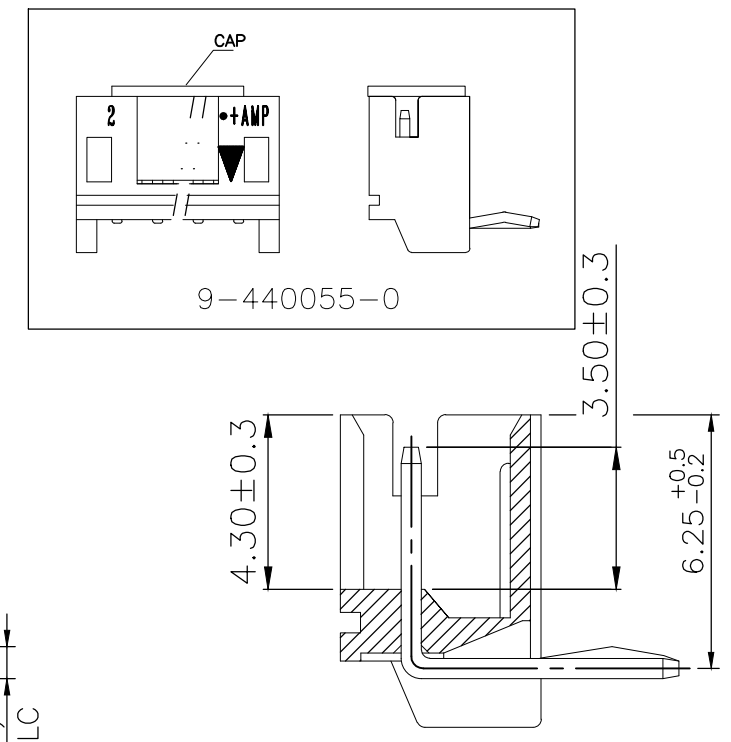
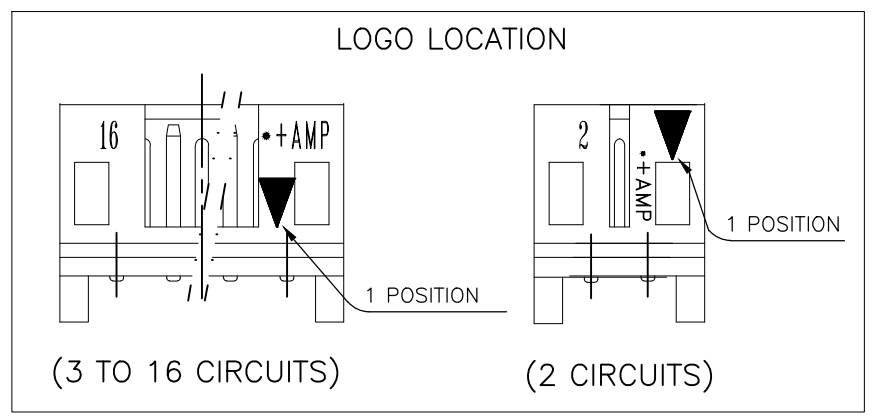


THIS DRAWING IS UNPUBLISHED. RELEASED FOR PUBLICATION . . . - 09JUN2003  
 © COPYRIGHT - By - ALL RIGHTS RESERVED.

REVISIONS					
P	LTR	DESCRIPTION	DATE	DWN	APVD
B4		REVISED ECR-19-006475	29APR2019	T.Q	W.H

NOTE:  
 1. MATERIAL :  
 HOUSING : TGERMOPLASTIC UL94V-0  
 CONTACT : BRASS THICKNESS=0.5mm  
 2. FINISH:  
 CONTACT : 80u" MIN. TIN PLATED OVER ALL.



COLOR	DIM C	DIM B	DIM A	POS.	PART NUMBER
GREEN	8.90	10.00	6.00	4P	9-440055-4
	24.90	26.00	22.00	12P	9-440055-2
	16.90	18.00	14.00	8P	8-440055-8
	10.90	12.00	8.00	5P	8-440055-5
	8.90	10.00	6.00	4P	8-440055-4
RED	6.90	8.00	4.00	3P	8-440055-3
	4.90	6.00	2.00	2P	8-440055-2
	10.90	12.00	8.00	5P	6-440055-5
	8.90	10.00	6.00	4P	6-440055-4
	6.90	8.00	4.00	3P	6-440055-3
BLACK	4.90	6.00	2.00	2P	6-440055-2
	24.90	26.00	22.00	12P	5-440055-2
	22.90	24.00	20.00	11P	5-440055-1
	20.90	22.00	18.00	10P	5-440055-0
	18.90	20.00	16.00	9P	4-440055-9
YELLOW	16.90	18.00	14.00	8P	4-440055-8
	14.90	16.00	12.00	7P	4-440055-7
	12.90	14.00	10.00	6P	4-440055-6
	10.90	12.00	8.00	5P	4-440055-5
	8.90	10.00	6.00	4P	4-440055-4
BLUE	6.90	8.00	4.00	3P	4-440055-3
	4.90	6.00	2.00	2P	4-440055-2
	10.90	12.00	8.00	5P	2-440055-5
	8.90	10.00	6.00	4P	2-440055-4
	6.90	8.00	4.00	3P	2-440055-3
NATURAL WHITE	4.90	6.00	2.00	2P	2-440055-2
	20.90	22.00	18.00	10P	9-440055-0
	32.90	34.00	30.00	16P	1-440055-6
	30.90	32.00	28.00	15P	1-440055-5
	28.90	30.00	26.00	14P	1-440055-4
	26.90	28.00	24.00	13P	1-440055-3
	24.90	26.00	22.00	12P	1-440055-2
	22.90	24.00	20.00	11P	1-440055-1
	20.90	22.00	18.00	10P	1-440055-0
	18.90	20.00	16.00	9P	440055-9
16.90	18.00	14.00	8P	440055-8	
14.90	16.00	12.00	7P	440055-7	
12.90	14.00	10.00	6P	440055-6	
10.90	12.00	8.00	5P	440055-5	
8.90	10.00	6.00	4P	440055-4	
6.90	8.00	4.00	3P	440055-3	
4.90	6.00	2.00	2P	440055-2	

THIS DRAWING IS A CONTROLLED DOCUMENT.		DWN	O.HU	09JUN2003	TE Connectivity
DIMENSIONS: mm		CHK	A.WU	09JUN2003	
TOLERANCES UNLESS OTHERWISE SPECIFIED:		APVD	J.CHENG	09JUN2003	
0 PLC ± 0.3 1 PLC ± 0.25 2 PLC ± 0.15 3 PLC ± 0.05 4 PLC ± - ANGLES ± -		PRODUCT SPEC	108-57100		
MATERIAL		APPLICATION SPEC	-		NAME
FINISH		WEIGHT	-		2.0 MM PITCH HPI RIGHT-ANGLE POST HEADERS
-		CUSTOMER DRAWING		SCALE	1:1
		A300779		DRAWING NO	C-440055
				SHEET	1 OF 3
				REV	B4

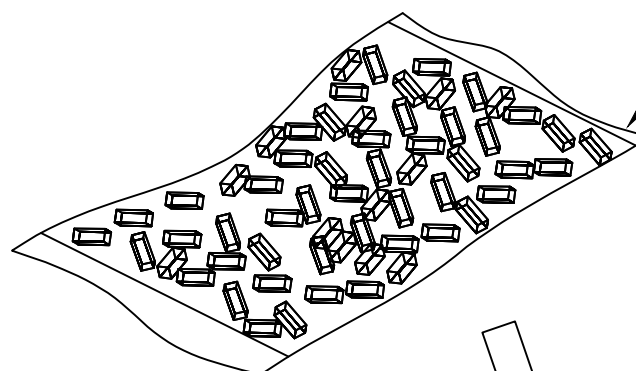
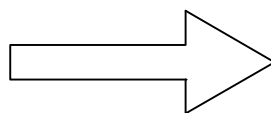
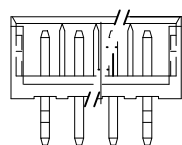
THIS DRAWING IS UNPUBLISHED.

RELEASED FOR PUBLICATION - 09JUN2003

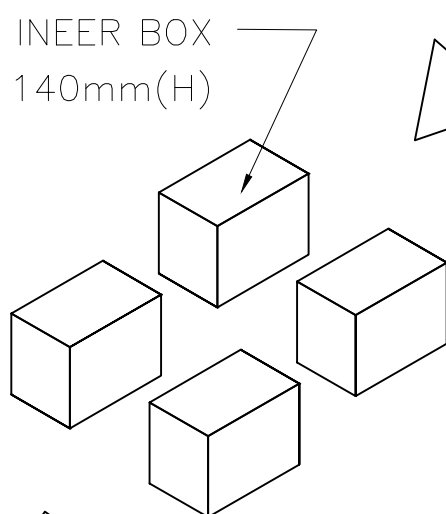
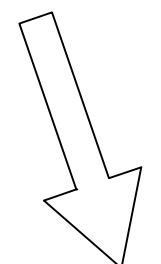
REVISIONS

© COPYRIGHT - By - ALL RIGHTS RESERVED.

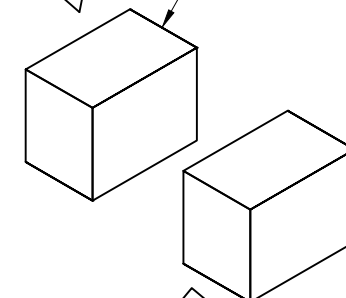
P	LTR	DESCRIPTION	DATE	DWN	APVD
-	-	SEE SHEET 1	-	-	-



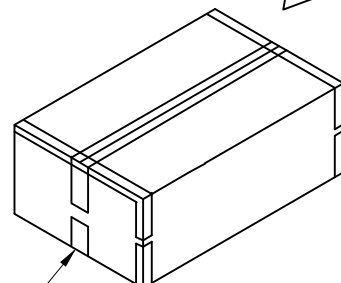
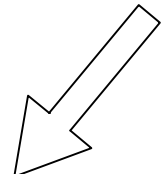
POLY BAG  
127mm(L)X 203mm(W)X 0.07mm(H)



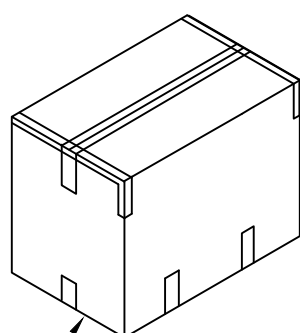
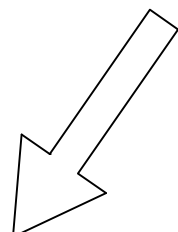
INNER BOX  
320mm(L)X 220mm(W)X 140mm(H)



INNER BOX  
320mm(L)X 220mm(W)X 140mm(H)



CARTON  
340mm(L)X 470mm(W)X 168mm(H)  
(FOR HEADER 2P~5P ONLY)



CARTON  
340mm(L)X 470mm(W)X 316mm(H)  
(FOR HEADER 6P~16P ONLY)

17,600	550	4P	9-440055-4
12,800	200	12P	9-440055-2
19,200	300	8P	8-440055-8
14,400	450	5P	8-440055-5
17,600	550	4P	8-440055-4
24,000	1,000	3P	8-440055-3
32,000	1,000	2P	8-440055-2
14,400	450	5P	6-440055-5
17,600	550	4P	6-440055-4
24,000	1,000	3P	6-440055-3
32,000	1,000	2P	6-440055-2
12,800	200	12P	5-440055-2
14,000	250	11P	5-440055-1
14,000	250	10P	5-440055-0
16,800	300	9P	4-440055-9
19,200	300	8P	4-440055-8
22,400	350	7P	4-440055-7
25,600	400	6P	4-440055-6
14,400	450	5P	4-440055-5
17,600	550	4P	4-440055-4
24,000	1,000	3P	4-440055-3
32,000	1,000	2P	4-440055-2
14,400	450	5P	2-440055-5
17,600	550	4P	2-440055-4
24,000	1,000	3P	2-440055-3
32,000	1,000	2P	2-440055-2
10,080	180	16P	1-440055-6
10,800	180	15P	1-440054-5
10,400	200	14P	1-440055-4
9,600	200	13P	1-440055-3
12,800	200	12P	1-440055-2
14,000	250	11P	1-440055-1
14,000	250	10P	1-440055-0
16,800	300	9P	440055-9
19,200	300	8P	440055-8
22,400	350	7P	440055-7
25,600	400	6P	440055-6
14,400	450	5P	440054-5
17,600	550	4P	440055-4
24,000	1,000	3P	440055-3
32,000	1,000	2P	440055-2
APQ	PPQ	POS	PART NUMBER
(PCS/CARTON)	(PCS/BAG)		

THIS DRAWING IS A CONTROLLED DOCUMENT.		DWN	O.HU	09JUN2003	<b>STE</b> TE Connectivity
		CHK	A.WU	09JUN2003	
		APVD	J.CHENG	09JUN2003	NAME
		PRODUCT SPEC			2.0 MM PITCH HPI RIGHT-ANGLE POST HEADERS
		APPLICATION SPEC			
		108-57100			SIZE
		-			CAGE CODE
		-			DRAWING NO
		-			RESTRICTED TO
		-			A300779
		-			C-440055
		-			SCALE
		-			1:1
		-			SHEET
		-			2 OF 3
		-			REV
		-			B4
		-			CUSTOMER DRAWING

THIS DRAWING IS UNPUBLISHED.

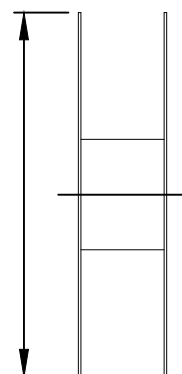
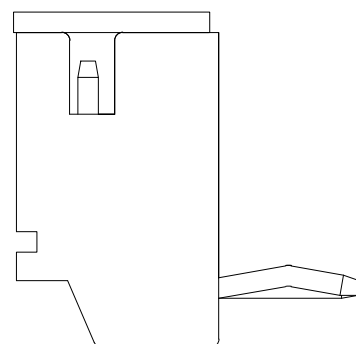
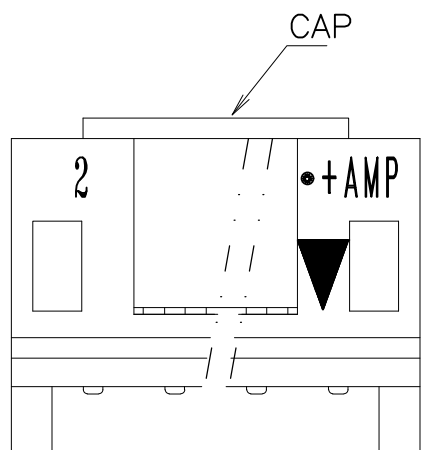
RELEASED FOR PUBLICATION - 09JUN2003

REVISIONS

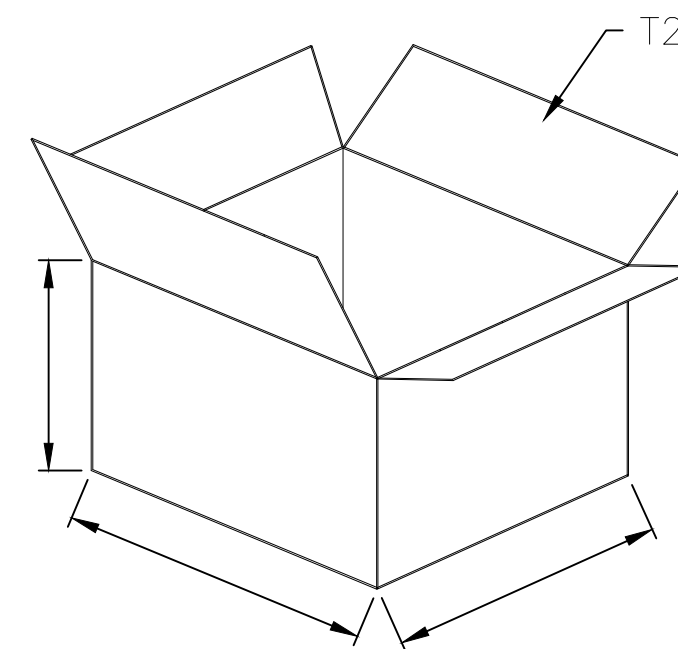
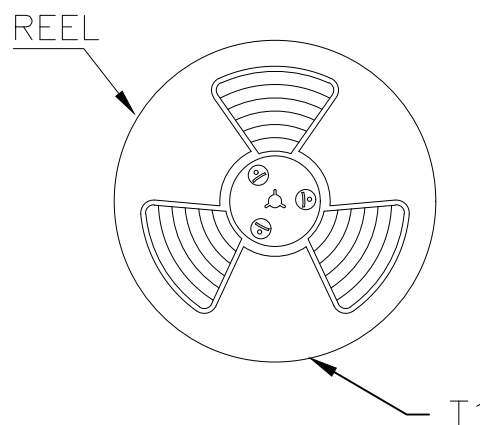
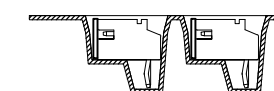
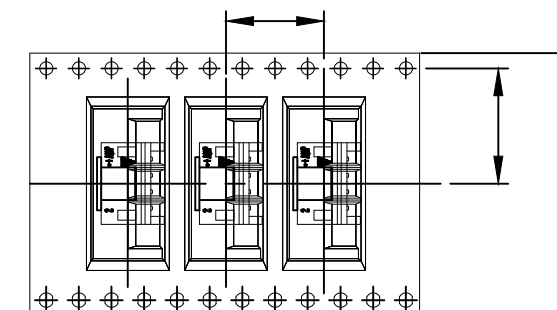
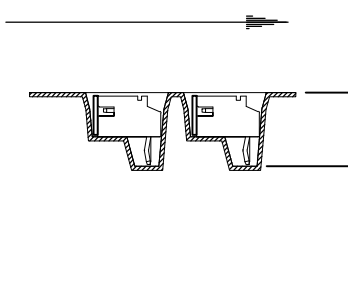
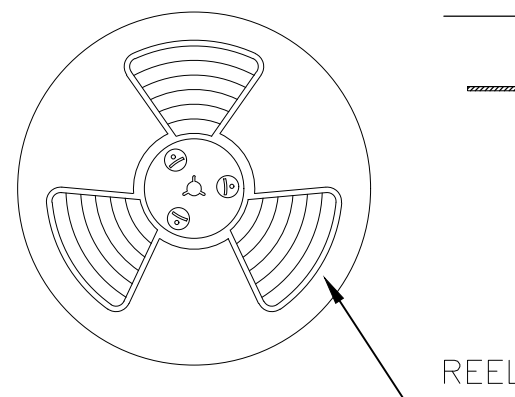
© COPYRIGHT - By -

ALL RIGHTS RESERVED.

P	LTR	DESCRIPTION	DATE	DWN	APVD
-	-	SEE SHEET 1	-	-	-




PULL OUT DIRECTION



POS	B(mm)	PCS./REEL	PCS/CARTON-T2
10P	44	600 PCS.	600X4=2400PCS

NOTE:  
9-440055-0 10POS WAVE SOLDER PART CAP TYPE.

THIS DRAWING IS A CONTROLLED DOCUMENT.		DWN O.HU 09JUN2003	 <b>TE Connectivity</b>																	
DIMENSIONS: mm		CHK A.WU 09JUN2003																		
TOLERANCES UNLESS OTHERWISE SPECIFIED:		APVD J.CHENG 09JUN2003	NAME																	
<table border="0"> <tr><td>0 PLC</td><td>± 0.3</td></tr> <tr><td>1 PLC</td><td>± 0.25</td></tr> <tr><td>2 PLC</td><td>± 0.15</td></tr> <tr><td>3 PLC</td><td>± 0.05</td></tr> <tr><td>4 PLC</td><td>± -</td></tr> <tr><td>ANGLES</td><td>± -</td></tr> </table>		0 PLC	± 0.3	1 PLC	± 0.25	2 PLC	± 0.15	3 PLC	± 0.05	4 PLC	± -	ANGLES	± -	PRODUCT SPEC 108-57100	2.0 MM PITCH HPI RIGHT-ANGLE POST HEADERS					
0 PLC	± 0.3																			
1 PLC	± 0.25																			
2 PLC	± 0.15																			
3 PLC	± 0.05																			
4 PLC	± -																			
ANGLES	± -																			
MATERIAL		FINISH	APPLICATION SPEC	SIZE	CAGE CODE	DRAWING NO	RESTRICTED TO													
-		-	-	-	A300779	C-440055	-													
<table border="1"> <thead> <tr> <th>2400</th> <th>600</th> <th>10P</th> <th>9-440055-0</th> </tr> <tr> <th>APQ</th> <th>PPQ</th> <th>POS.</th> <th>PART NUMBER</th> </tr> </thead> <tbody> <tr> <td>(PCS/CARTON)</td> <td>(PCS/REEL)</td> <td></td> <td></td> </tr> </tbody> </table>			2400	600	10P	9-440055-0	APQ	PPQ	POS.	PART NUMBER	(PCS/CARTON)	(PCS/REEL)			WEIGHT	CUSTOMER DRAWING		SCALE	SHEET	REV
2400	600	10P	9-440055-0																	
APQ	PPQ	POS.	PART NUMBER																	
(PCS/CARTON)	(PCS/REEL)																			
			-	A300779 C-440055		1:1	3 OF 3	B4												

## X-ON Electronics

Largest Supplier of Electrical and Electronic Components

*Click to view similar products for [Headers & Wire Housings](#) category:*

*Click to view products by [TE Connectivity](#) manufacturer:*

Other Similar products are found below :

[892-18-020-10-001101](#) [58102-G61-06LF](#) [582553-1](#) [0009485154](#) [009176003701906](#) [0050291907](#) [LY20-4P-DT1-P1E-BR](#) [02.125.8002.8](#)  
[609-3404](#) [61062-3](#) [61082-181009](#) [622-3653LF](#) [63453-116](#) [636-1030](#) [636-1427](#) [636-3427](#) [636-4007](#) [641938-9](#) [641991-4](#) [644827-2](#) [65817-](#)  
[010LF](#) [65817-015LF](#) [65863-015LF](#) [66207-023LF](#) [67095-007LF](#) [67601157](#) [68645-018](#) [68648-049](#) [70.362.1628.0](#) [70-4210](#) [70-4226B](#) [70-](#)  
[4853B](#) [707-5020](#) [707-5028](#) [71.350.2428.0](#) [71918-208LF](#) [71961-016LF](#) [733-134](#) [733-162](#) [754199-000](#) [760-3052](#) [79531-3000](#) [FCN-](#)  
[360C032-B](#) [FCN-367T-T012/H](#) [FCN-723D010/2](#) [80.063.4001.1](#) [800-90-010-10-002000](#) [801-43-002-10-013000](#) [801-43-006-10-002000](#)  
[801-93-011-10-001000](#)