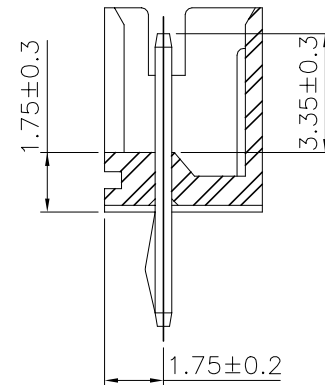
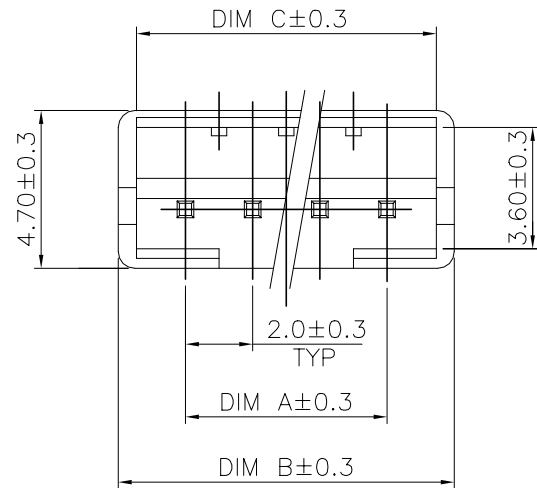
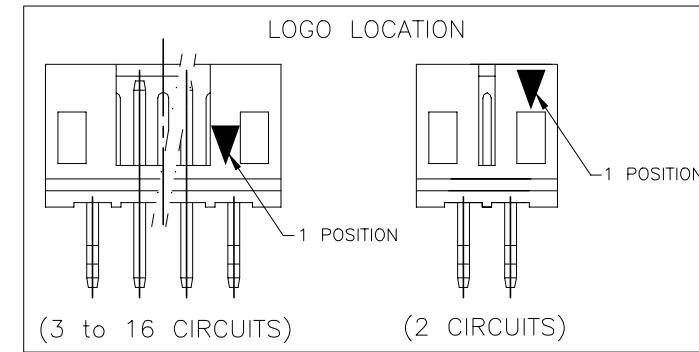
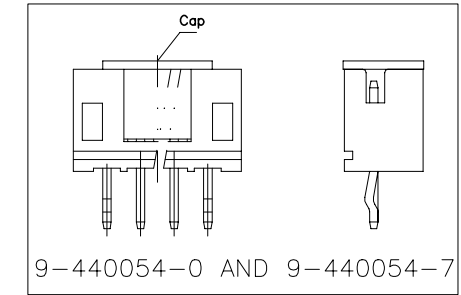


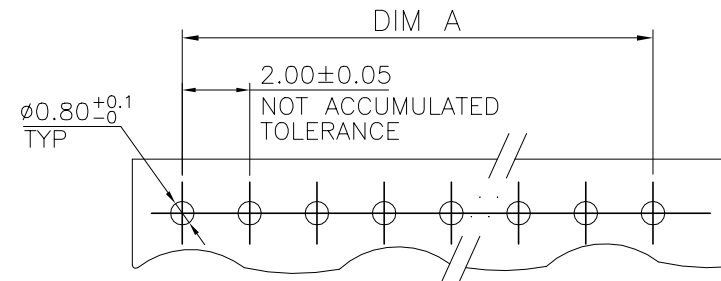
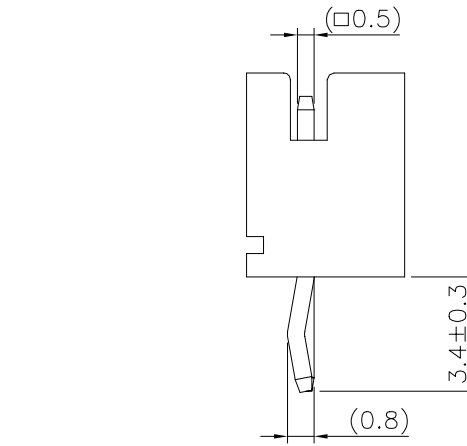
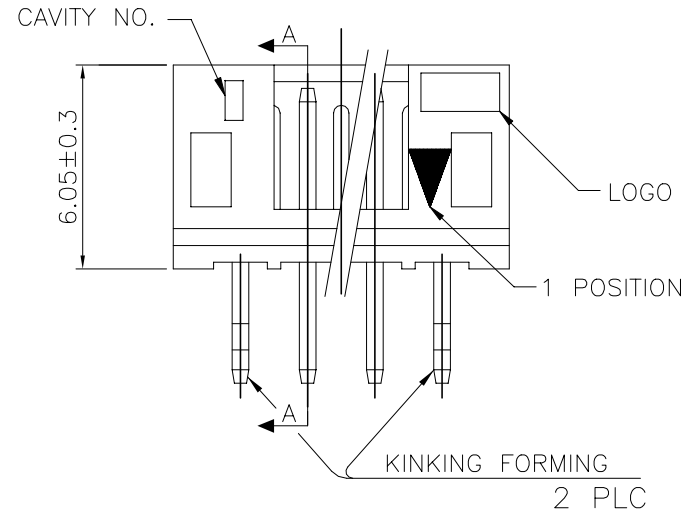
LOC DW	DIST	REVISIONS		
P	LTR	DESCRIPTION	DATE	DWN
	F8	ECR-20-004633	06APR20	T.Q
				W.H



- NOTES:
 1. MATERIAL:
 HOUSING: NYLON 66, UL94V-0, COLOR: SEE TABLE.
 CONTACT: BRASS, THICKNESS=0.50mm.
 2. FINISH:
 2.03um[80u"] MIN. BRIGHT-TIN PLATING ON CONTACT.
 1.27um[50u"] MIN. NICKEL ENTIRE CONTACT UNDERPLATED.
 3. WAVE SOLDER SPEC REFER TO 108-57100.
 4. RAISED TYPE PN: 9-440054-2.



TAPE REEL	NATURAL WHITE	14.90	16.00	12.00	7P	9-440054-7
POLY BAG	BROWN	10.90	12.00	8.00	5P	4-440054-1
		22.90	24.00	20.00	11P	9-440054-3
	GREEN	10.90	12.00	8.00	5P	9-440054-6
		8.90	10.00	6.00	4P	3-440054-1
		6.90	8.00	4.00	3P	440054-1
	BLUE	18.90	20.00	16.00	9P	2-440054-1
		16.90	18.00	14.00	8P	2-440054-0
	RED	16.90	18.00	14.00	8P	8-440054-0
		10.90	12.00	8.00	5P	8-440054-5
		8.90	10.00	6.00	4P	8-440054-4
		6.90	8.00	4.00	3P	8-440054-3
	BLACK	4.90	6.00	2.00	2P	8-440054-2
10.90		12.00	8.00	5P	6-440054-5	
8.90		10.00	6.00	4P	6-440054-4	
6.90		8.00	4.00	3P	6-440054-3	
4.90		6.00	2.00	2P	6-440054-2	
24.90		26.00	22.00	12P	7-440054-6	
POLY BAG	YELLOW	22.90	24.00	20.00	11P	7-440054-5
		20.90	22.00	18.00	10P	7-440054-4
	18.90	20.00	16.00	9P	7-440054-3	
	16.90	18.00	14.00	8P	7-440054-2	
	14.90	16.00	12.00	7P	7-440054-1	
	12.90	14.00	10.00	6P	7-440054-0	
	10.90	12.00	8.00	5P	4-440054-5	
	8.90	10.00	6.00	4P	4-440054-4	
	6.90	8.00	4.00	3P	4-440054-3	
	4.90	6.00	2.00	2P	4-440054-2	
POLY BAG	BLUE	10.90	12.00	8.00	5P	2-440054-9
		8.90	10.00	6.00	4P	2-440054-8
	6.90	8.00	4.00	3P	2-440054-7	
	4.90	6.00	2.00	2P	2-440054-6	
	10.90	12.00	8.00	5P	2-440054-9	
	8.90	10.00	6.00	4P	2-440054-8	
	6.90	8.00	4.00	3P	2-440054-7	
	4.90	6.00	2.00	2P	2-440054-6	
	32.90	34.00	30.00	16P	5-440054-6	
	30.90	32.00	28.00	15P	5-440054-5	
POLY BAG	NATURAL WHITE	28.90	30.00	26.00	14P	5-440054-4
		26.90	28.00	24.00	13P	5-440054-3
	24.90	26.00	22.00	12P	5-440054-2	
	22.90	24.00	20.00	11P	5-440054-1	
	20.90	22.00	18.00	10P	5-440054-0	
	18.90	20.00	16.00	9P	3-440054-9	
	16.90	18.00	14.00	8P	3-440054-8	
	14.90	16.00	12.00	7P	3-440054-7	
	12.90	14.00	10.00	6P	3-440054-6	
	10.90	12.00	8.00	5P	3-440054-5	
8.90	10.00	6.00	4P	3-440054-4		
6.90	8.00	4.00	3P	3-440054-3		
4.90	6.00	2.00	2P	3-440054-2		



RECOMMENDED PCB LAYOUT (PCB THK=1.0~1.6)

PACKAGE	COLOR	DIM C	DIM B	DIM A	POS	PART NUMBER
TUBE	RED	10.90	12.00	8.00	5P	8-440054-9
		8.90	10.00	6.00	4P	8-440054-8
		6.90	8.00	4.00	3P	8-440054-7
		4.90	6.00	2.00	2P	8-440054-6
	BLACK	10.90	12.00	8.00	5P	6-440054-9
		8.90	10.00	6.00	4P	6-440054-8
		6.90	8.00	4.00	3P	6-440054-7
		4.90	6.00	2.00	2P	6-440054-6
	YELLOW	10.90	12.00	8.00	5P	4-440054-9
		8.90	10.00	6.00	4P	4-440054-8
		6.90	8.00	4.00	3P	4-440054-7
		4.90	6.00	2.00	2P	4-440054-6
BLUE	10.90	12.00	8.00	5P	2-440054-9	
	8.90	10.00	6.00	4P	2-440054-8	
	6.90	8.00	4.00	3P	2-440054-7	
	4.90	6.00	2.00	2P	2-440054-6	
NATURAL WHITE	32.90	34.00	30.00	16P	5-440054-6	
	30.90	32.00	28.00	15P	5-440054-5	
	28.90	30.00	26.00	14P	5-440054-4	
	26.90	28.00	24.00	13P	5-440054-3	
	24.90	26.00	22.00	12P	5-440054-2	
	22.90	24.00	20.00	11P	5-440054-1	
	20.90	22.00	18.00	10P	5-440054-0	
	18.90	20.00	16.00	9P	3-440054-9	
	16.90	18.00	14.00	8P	3-440054-8	
	14.90	16.00	12.00	7P	3-440054-7	
	12.90	14.00	10.00	6P	3-440054-6	
	10.90	12.00	8.00	5P	3-440054-5	
8.90	10.00	6.00	4P	3-440054-4		
6.90	8.00	4.00	3P	3-440054-3		
4.90	6.00	2.00	2P	3-440054-2		

THIS DRAWING IS A CONTROLLED DOCUMENT.

DWN O. HU 16JUL2004	TE Connectivity 2.0 MM PITCH HPI VERTICAL POST HEADERS
CHK S. HOU 16JUL2004	
APVD W.J. KE 16JUL2004	
PRODUCT SPEC 108-57100	
DIMENSIONS: MM	NAME
TOLERANCES UNLESS OTHERWISE SPECIFIED: 0 PLC ± - 1 PLC ± 0.3 2 PLC ± 0.2 3 PLC ± 0.15 4 PLC ± - ANGLES ± 3'	RESTRICTED TO
MATERIAL SEE NOTE	FINISH SEE NOTE
WEIGHT - GRAMS	SIZE A3
CUSTOMER DRAWING	CAGE CODE 00779
	DRAWING NO C=440054
	SCALE -
	SHEET 1 OF 9
	REV F8

4

3

2

1

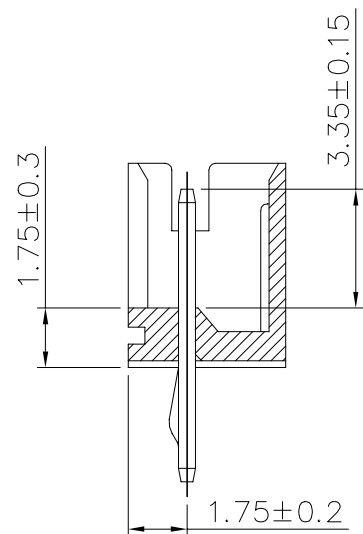
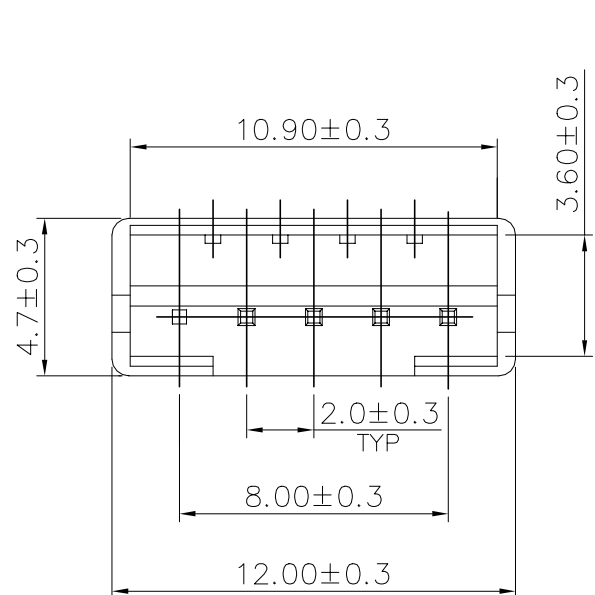
THIS DRAWING IS UNPUBLISHED. RELEASED FOR PUBLICATION AUG ,2006.

© COPYRIGHT 2009 BY TYCO ELECTRONICS CORPORATION. ALL RIGHTS RESERVED.

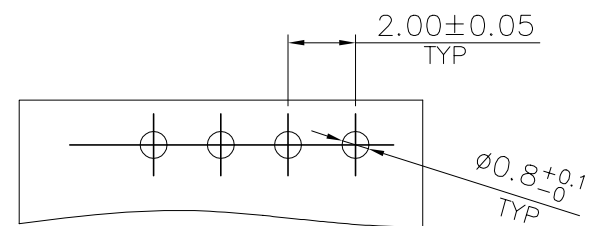
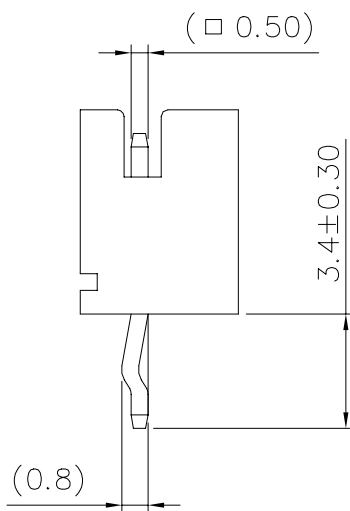
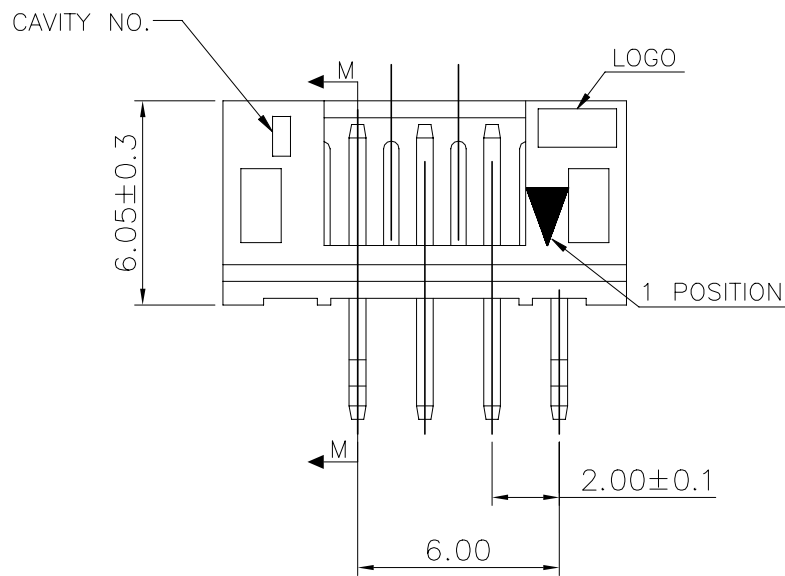
LOC DW DIST

REVISIONS

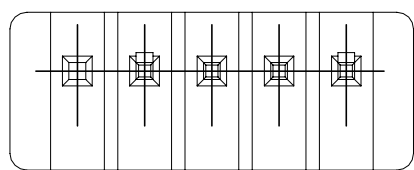
P	LTR	DESCRIPTION	DATE	DWN	APVD
		SEE SHEET 1.			



SECTION M-M



RECOMMENDER PCB LAYOUT (PCB THK=1.0~1.6mm)



POLY BAG	NATURAL WHITE	PIN 5	4P	9-440054-5
PACKAGE	COLOR	PIN NUMBER LACKED	POS.	PART NUMBER

THIS DRAWING IS A CONTROLLED DOCUMENT.		DWN	STE TE Connectivity		
DIMENSIONS: MM		CHK			
TOLERANCES UNLESS OTHERWISE SPECIFIED:		APVD	NAME		
0 PLC ± -		PRODUCT SPEC	2.0 MM PITCH HPI VERTICAL POST HEADERS		
1 PLC ± 0.3		APPLICATION SPEC	SIZE	CAGE CODE	DRAWING NO
2 PLC ± 0.2		WEIGHT	A3	00779	C=440054
3 PLC ± 0.15		CUSTOMER DRAWING	RESTRICTED TO		
4 PLC ± -		SCALE	SHEET		REV
ANGLES ± 3'			2 OF 9		F8
MATERIAL	FINISH				
SEE NOTE (PAGE 1.)	SEE NOTE (PAGE 1.)				

4

3

2

1

THIS DRAWING IS UNPUBLISHED.

RELEASED FOR PUBLICATION

AUG ,2006.

© COPYRIGHT 2009 BY TYCO ELECTRONICS CORPORATION. ALL RIGHTS RESERVED.

LOC

DIST

REVISIONS

DW

P

LTR

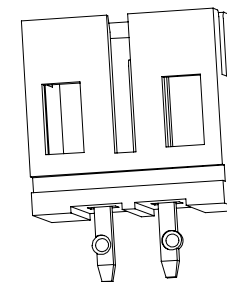
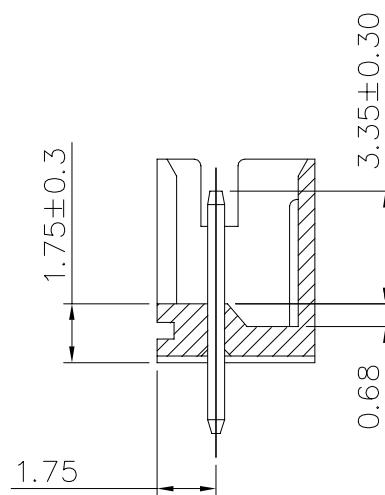
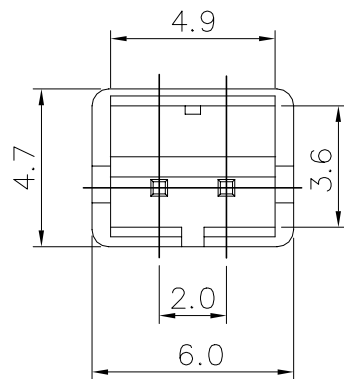
DESCRIPTION

DATE

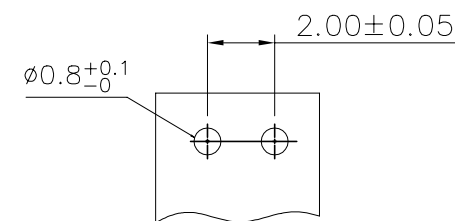
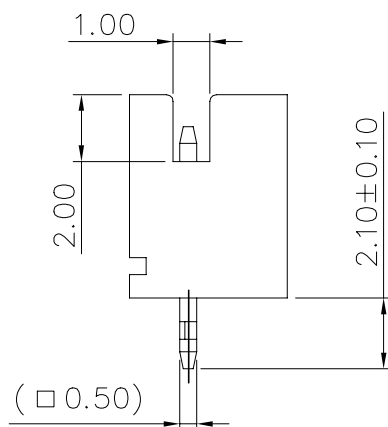
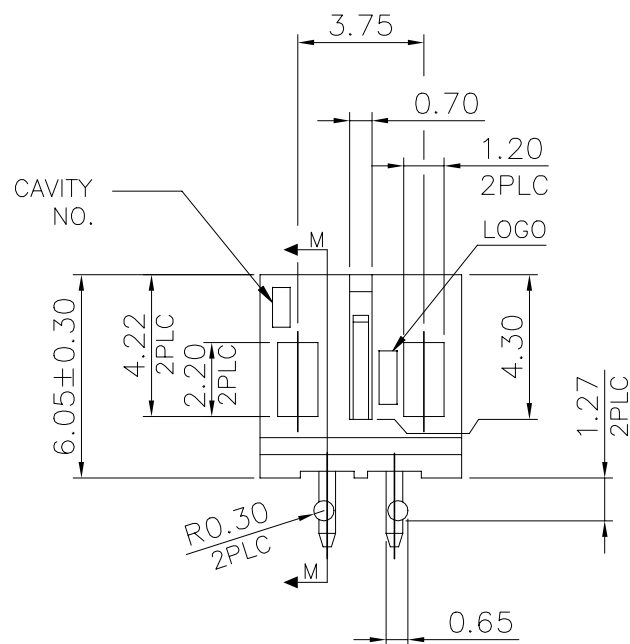
DWN

APVD

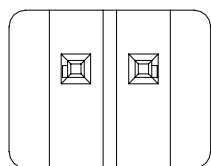
SEE SHEET 1.



SECTION M-M



RECOMMENDED PCB LAYOUT (PCB THK=1.0MM~1.6MM)



POLY BAG	NATURAL WHITE	2P	9-440054-2
PACKAGE	COLOR	POS.	PART NUMBER

THIS DRAWING IS A CONTROLLED DOCUMENT.		DWN	STE TE Connectivity	
DIMENSIONS: MM		CHK		
TOLERANCES UNLESS OTHERWISE SPECIFIED:		APVD	NAME	
0 PLC ± -		PRODUCT SPEC	2.0 MM PITCH HPI VERTICAL POST HEADERS	
1 PLC ± 0.3		APPLICATION SPEC	SIZE	CAGE CODE
2 PLC ± 0.2		WEIGHT	A3	00779
3 PLC ± 0.15		CUSTOMER DRAWING	DRAWING NO C=440054	
4 PLC ± -		SCALE	RESTRICTED TO	
ANGLES ± 3'		SHEET	3 OF 9	
MATERIAL	FINISH	REV	F8	
SEE NOTE (PAGE 1.)	SEE NOTE (PAGE 1.)			

4

3

2

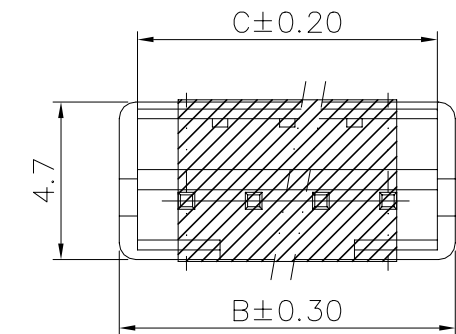
1

THIS DRAWING IS UNPUBLISHED. RELEASED FOR PUBLICATION AUG ,2006.

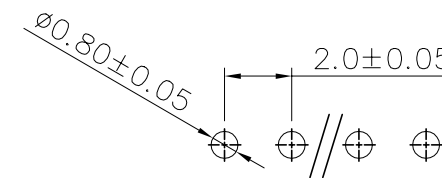
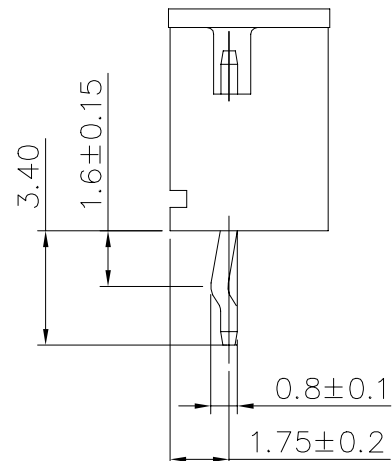
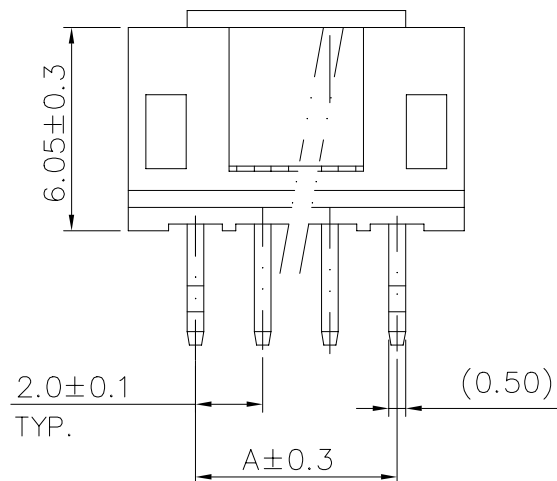
© COPYRIGHT 2009 BY TYCO ELECTRONICS CORPORATION. ALL RIGHTS RESERVED.

LOC	DIST	REVISIONS					
DW		P	LTR	DESCRIPTION	DATE	DWN	APVD
				SEE SHEET 1.			

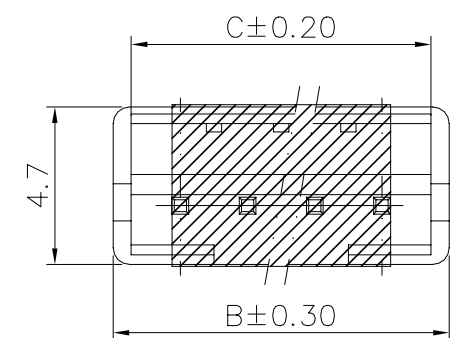
- NOTES:
- MATERIAL:
HOUSING: NYLON 6T, UL94V-0, COLOR: SEE TABLE.
CONTACT: BRASS, THICKNESS=0.50mm.
 - FINISH:
2.03um[80u"] MIN. BRIGHT-TIN PLATING ON CONTACT.
1.27um[50u"] MIN. NICKEL ENTIRE CONTACT UNDERPLATED.
 - (SMT) REFLOW PROCESS NEED AFFORD 260°C.
FINISH:
0.762um[30u"] GOLD PLATING OVER ALL.
1.27um[50u"] MIN. NICKEL ENTIRE CONTACT UNDERPLATED.



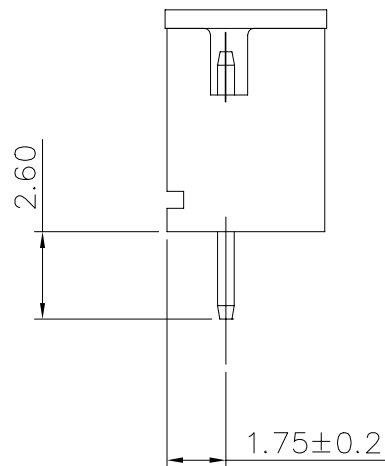
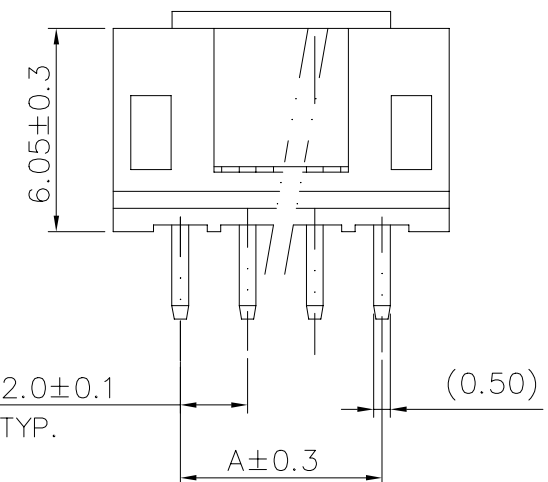
9-440054-1 & 9-440054-4



RECOMMENDED PCB LAYOUT (PCB THK=1.0MM~1.6MM)



8-440054-7 & 8-440054-6



4	WITH	TAPE REEL	NATURAL WHITE	14.90	16.00	12.00	7P	8-440054-7
4	WITH	TAPE REEL	NATURAL WHITE	8.90	10.00	6.00	4P	8-440054-6
2	WITHOUT	TAPE REEL	NATURAL WHITE	8.90	10.00	6.00	4P	9-440054-1
2	WITH	TAPE REEL	NATURAL WHITE	8.90	10.00	6.00	4P	9-440054-4
FINISH	CAP	PACKAGE	COLOR	DIM C	DIM B	DIM A	POS	PART NUMBER

THIS DRAWING IS A CONTROLLED DOCUMENT.

DWN: _____
CHK: _____
APVD: _____

NAME: _____

PRODUCT SPEC: _____
APPLICATION SPEC: _____
WEIGHT: _____

SIZE: A3 CAGE CODE: 00779 DRAWING NO: C=440054 RESTRICTED TO: _____

MATERIAL: SEE NOTE (PAGE 1.) FINISH: SEE NOTE (PAGE 1.)

CUSTOMER DRAWING SCALE: _____ SHEET: 4 OF 9 REV: F8

THIS DRAWING IS UNPUBLISHED. RELEASED FOR PUBLICATION AUG ,2006.
 © COPYRIGHT 2009 BY TYCO ELECTRONICS CORPORATION. ALL RIGHTS RESERVED.

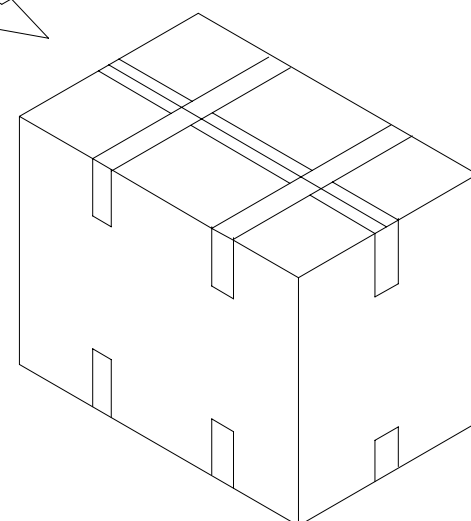
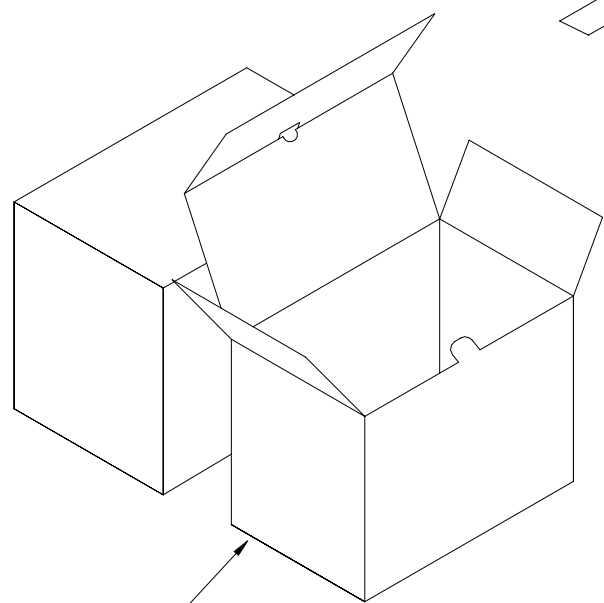
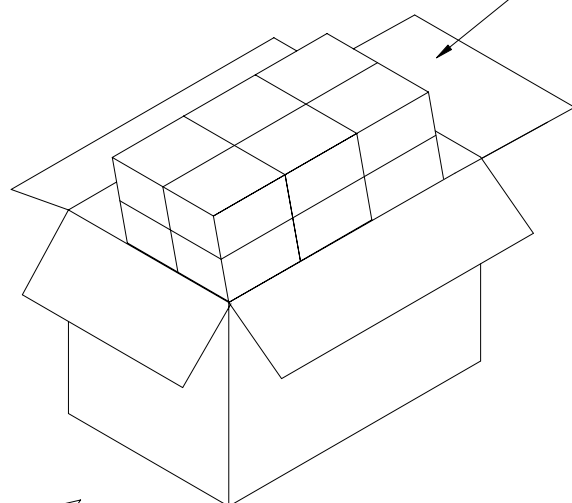
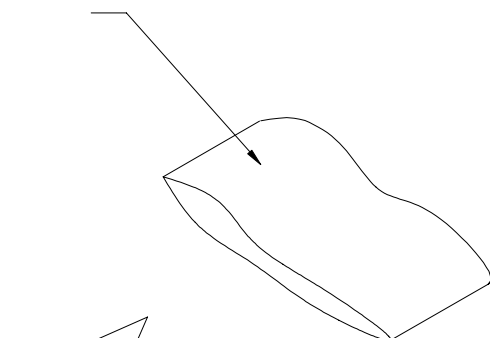
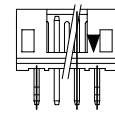
LOC	DIST	REVISIONS					
DW		P	LTR	DESCRIPTION	DATE	DWN	APVD
				SEE SHEET 1.			

POLY BAG

CARTON

340mm(L)X 470mm(W)X 178mm(H)
 (FOR HEADER 2P~5P ONLY)

340mm(L)X 470mm(W)X 365mm(H)
 (FOR HEADER 6P~16P ONLY)



INEER BOX

320mm(L)X 220mm(W)X 155mm(H)

17,600	550	5P	4-440054-1
18,000	250	11P	9-440054-3
20,800	650	4P	3-440054-1
27,000	750	3P	440054-1
17,600	550	5P	8-440054-5
22,400	350	8P	2-440054-0
22,400	350	8P	8-440054-0
17,600	550	4P	9-440054-5
40,000	1,000	2P	9-440054-2
17,600	550	5P	8-440054-5
20,800	650	4P	8-440054-4
27,000	750	3P	8-440054-3
40,000	1,000	2P	8-440054-2
17,600	550	5P	6-440054-5
20,800	650	4P	6-440054-4
27,000	750	3P	6-440054-3
40,000	1,000	2P	6-440054-2
16,000	250	12P	7-440054-6
18,000	250	11P	7-440054-5
19,200	300	10P	7-440054-4
22,400	350	9P	7-440054-3
22,400	350	8P	7-440054-2
25,600	400	7P	7-440054-1
28,800	450	6P	7-440054-0
17,600	550	5P	4-440054-5
20,800	650	4P	4-440054-4
27,000	750	3P	4-440054-3
40,000	1,000	2P	4-440054-2
17,600	550	5P	2-440054-5
20,800	650	4P	2-440054-4
27,000	750	3P	2-440054-3
40,000	1,000	2P	2-440054-2
12,000	200	16P	1-440054-6
12,000	200	15P	1-440054-5
12,800	200	14P	1-440054-4
15,000	250	13P	1-440054-3
16,000	250	12P	1-440054-2
18,000	250	11P	1-440054-1
19,200	300	10P	1-440054-0
22,400	350	9P	440054-9
22,400	350	8P	440054-8
25,600	400	7P	440054-7
28,800	450	6P	440054-6
17,600	550	5P	440054-5
20,800	650	4P	440054-4
27,000	750	3P	440054-3
40,000	1,000	2P	440054-2
APQ	PPQ	POS.	PART NUMBER
(PCS/CARTON)	(PCS/BAG)		

THIS DRAWING IS A CONTROLLED DOCUMENT.

DIMENSIONS: MM	TOLERANCES UNLESS OTHERWISE SPECIFIED: 0 PLC ± - 1 PLC ± - 2 PLC ± - 3 PLC ± - 4 PLC ± - ANGLES ± -	DWN	TE Connectivity NAME 2.0 MM PITCH HPI VERTICAL POST HEADERS			
MATERIAL	FINISH	CHK				
		APVD				
		PRODUCT SPEC				
		APPLICATION SPEC	SIZE	CAGE CODE	DRAWING NO	RESTRICTED TO
		WEIGHT	A3	00779	C=440054	
CUSTOMER DRAWING			SCALE	SHEET	REV	
				5 of 9	F8	

THIS DRAWING IS UNPUBLISHED.

RELEASED FOR PUBLICATION

AUG ,2006.

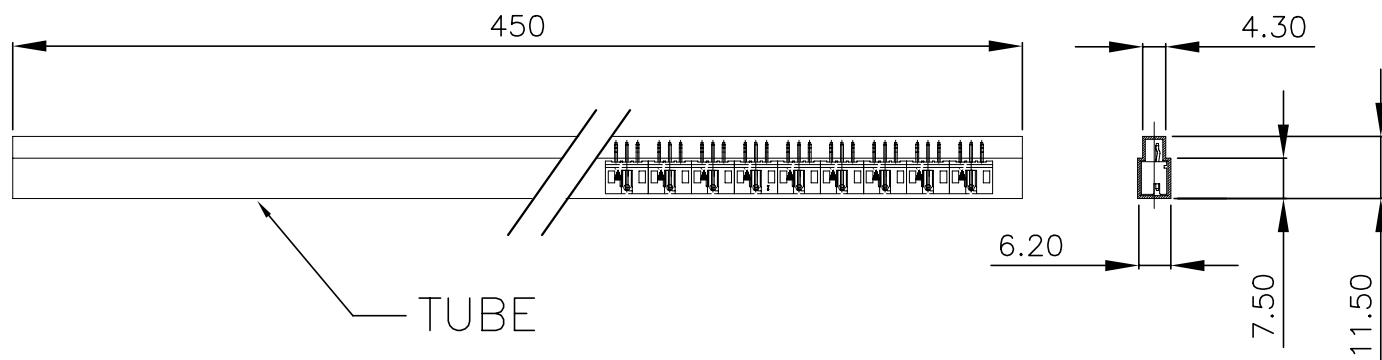
© COPYRIGHT 2009 BY TYCO ELECTRONICS CORPORATION. ALL RIGHTS RESERVED.

LOC DW

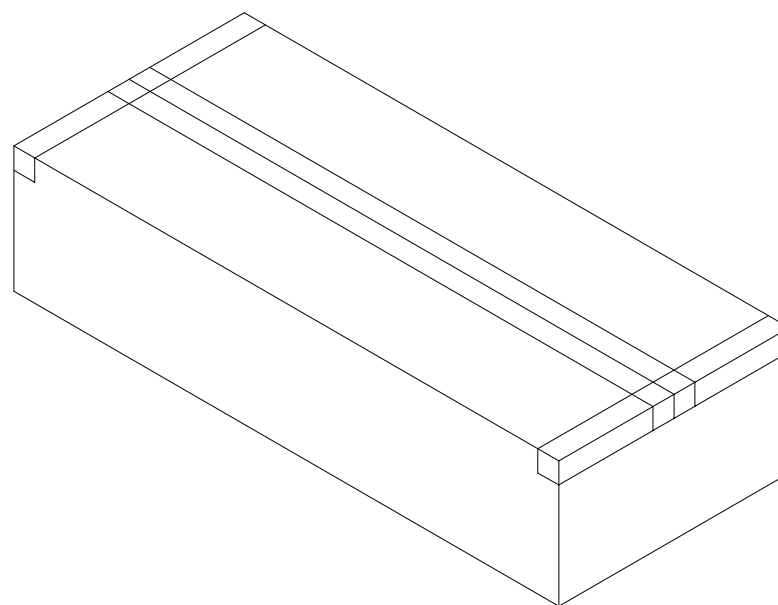
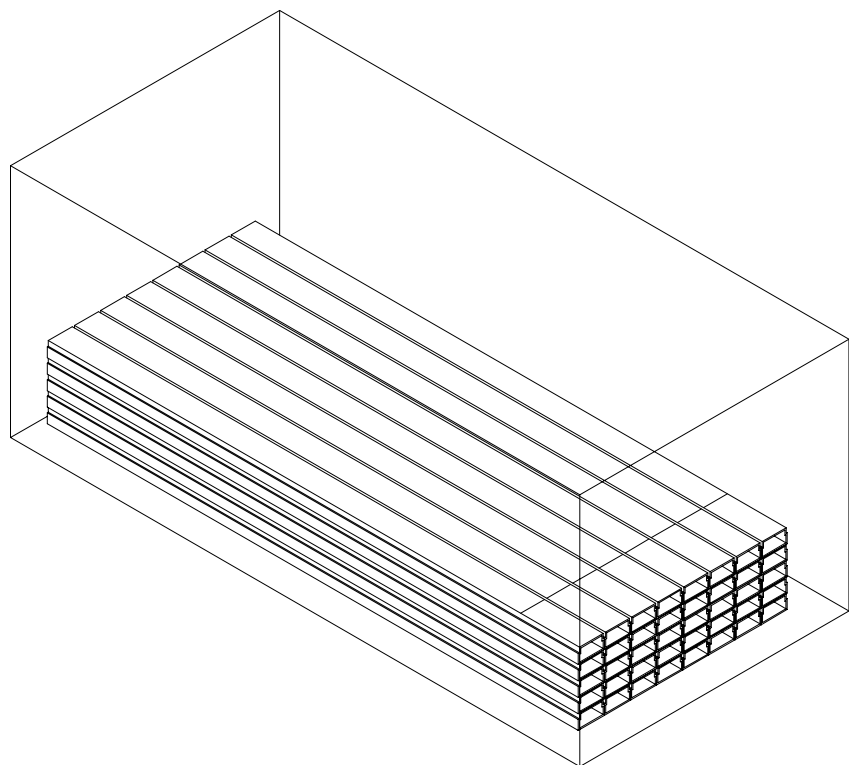
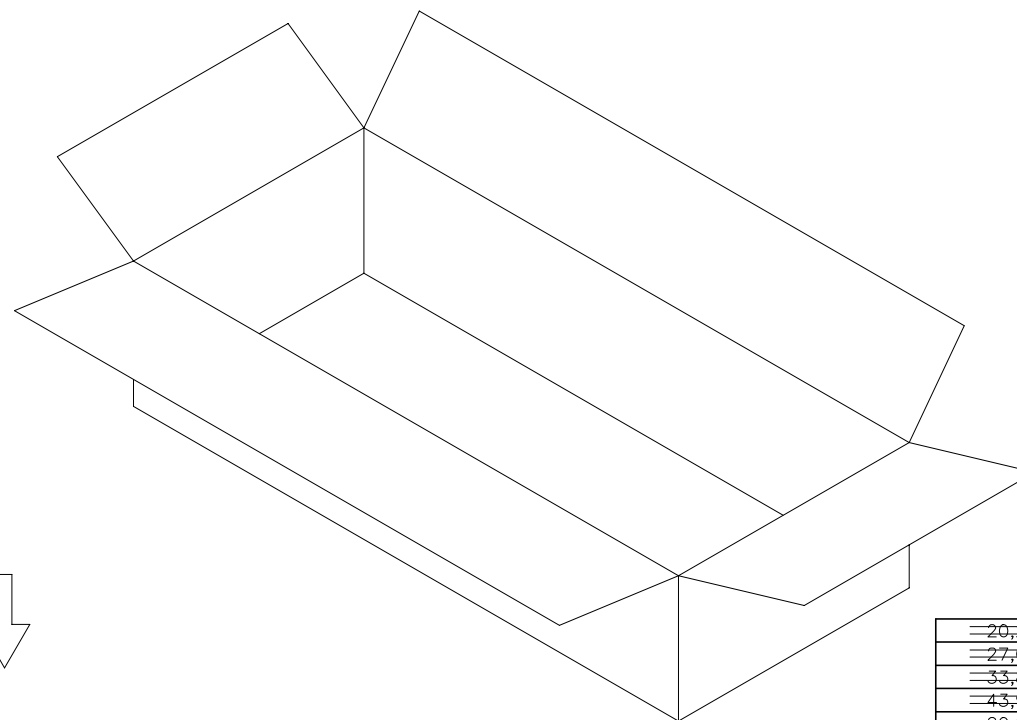
DIST

REVISIONS

P	LTR	DESCRIPTION	DATE	DWN	APVD
		SEE SHEET 1.			



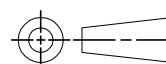
CARTON
470 mm(L)X 340mm(W)X 178mm(H)



20,280	30	5P	8-440054-9
27,040	40	4P	8-440054-8
33,800	50	3P	8-440054-7
43,940	65	2P	8-440054-6
20,280	30	5P	6-440054-9
27,040	40	4P	6-440054-8
33,800	50	3P	6-440054-7
43,940	65	2P	6-440054-6
20,280	30	5P	4-440054-9
27,040	40	4P	4-440054-8
33,800	50	3P	4-440054-7
43,940	65	2P	4-440054-6
20,280	30	5P	2-440054-9
27,040	40	4P	2-440054-8
33,800	50	3P	2-440054-7
43,940	65	2P	2-440054-6
6,760	10	16P	5-440054-6
8,112	12	15P	5-440054-5
8,112	12	14P	5-440054-4
8,788	13	13P	5-440054-3
10,140	15	12P	5-440054-2
10,816	16	11P	5-440054-1
12,168	18	10P	5-440054-0
13,520	20	9P	3-440054-9
14,872	22	8P	3-440054-8
16,900	25	7P	3-440054-7
18,928	28	6P	3-440054-6
20,280	30	5P	3-440054-5
27,040	40	4P	3-440054-4
33,800	50	3P	3-440054-3
43,940	65	2P	3-440054-2
APQ (PCS/CARTON)	PPQ (PCS/TUBE)	POS.	PART NUMBER

THIS DRAWING IS A CONTROLLED DOCUMENT.

DIMENSIONS:
MM



TOLERANCES UNLESS OTHERWISE SPECIFIED:

0 PLC	± -
1 PLC	± -
2 PLC	± -
3 PLC	± -
4 PLC	± -
ANGLES	± -

MATERIAL

FINISH

DWN	
CHK	
APVD	
PRODUCT SPEC	
APPLICATION SPEC	
WEIGHT	

STE TE Connectivity

NAME
2.0 MM PITCH HPI VERTICAL POST HEADERS

SIZE	CAGE CODE	DRAWING NO	RESTRICTED TO
A3	00779	C=440054	

CUSTOMER DRAWING SCALE SHEET 6 OF 9 REV F8

4

3

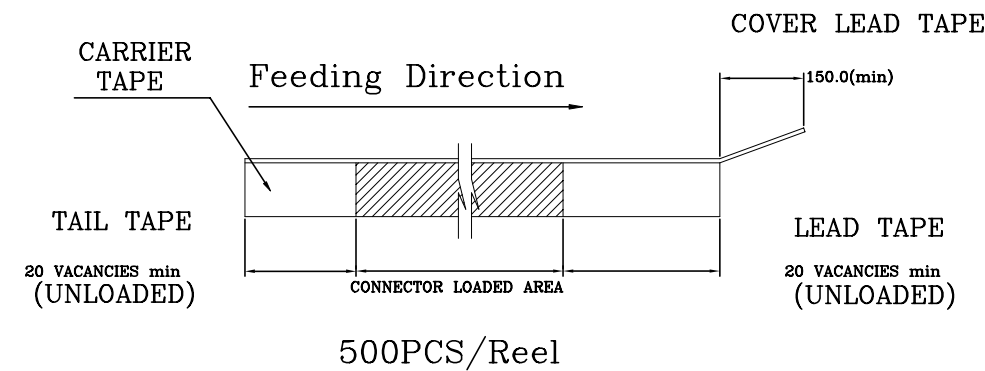
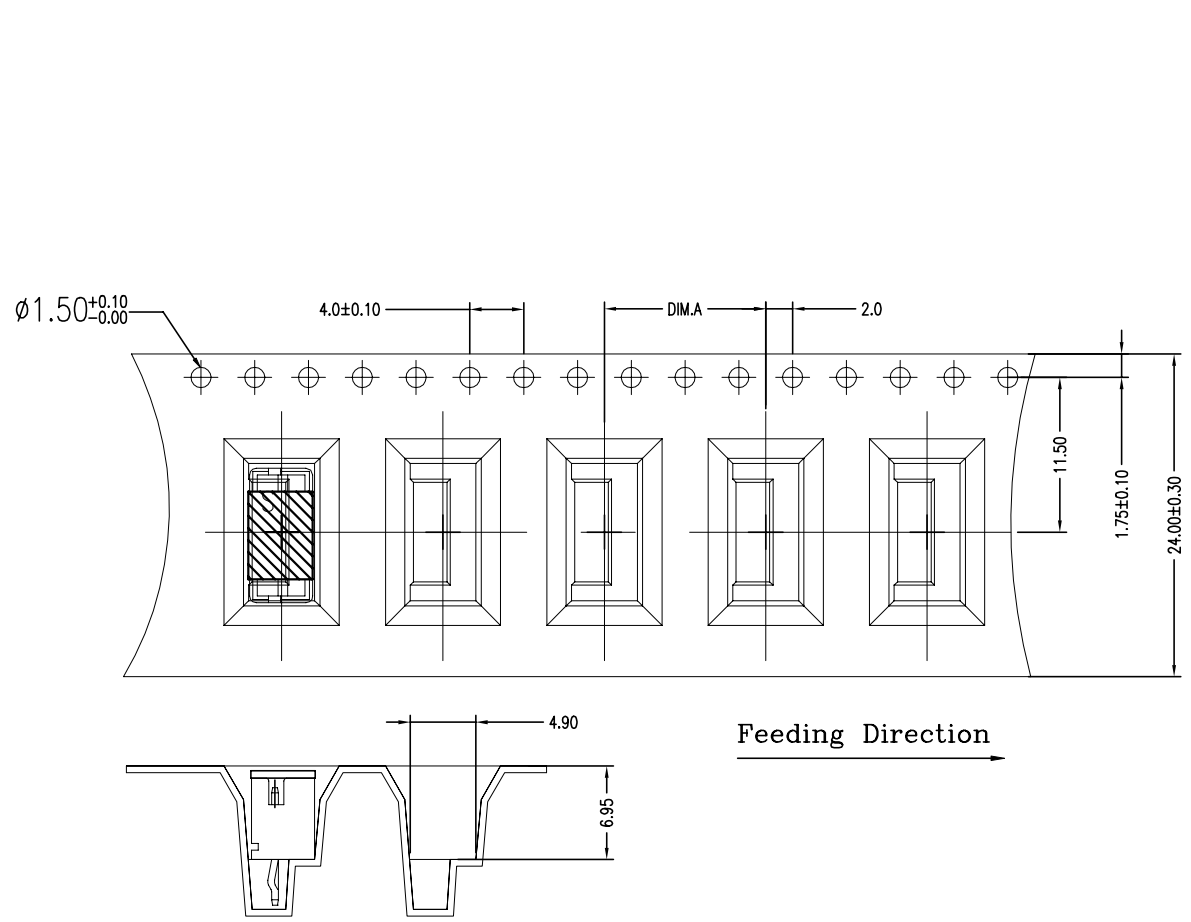
2

1

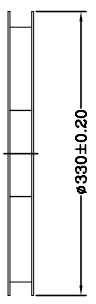
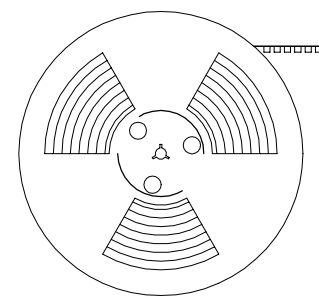
THIS DRAWING IS UNPUBLISHED. RELEASED FOR PUBLICATION AUG ,2006.

© COPYRIGHT 2009 BY TYCO ELECTRONICS CORPORATION. ALL RIGHTS RESERVED.

LOC	DIST	REVISIONS					
DW		P	LTR	DESCRIPTION	DATE	DWN	APVD
				SEE SHEET 1.			



Feeding Direction



12.0	WITH	2000	500	4P	8-440054-6
12.0	WITH	2000	500	4P	9-440054-4
DIM.A	CAP	APQ (PCS/CARTON)	PPQ (PCS/REEL)	POS.	PART NUMBER

THIS DRAWING IS A CONTROLLED DOCUMENT.		DWN		STE TE Connectivity	
DIMENSIONS: MM		CHK			
TOLERANCES UNLESS OTHERWISE SPECIFIED:		APVD		NAME	
0 PLC ± -		PRODUCT SPEC		2.0 MM PITCH HPI VERTICAL POST HEADERS	
1 PLC ± -		APPLICATION SPEC		SIZE CAGE CODE DRAWING NO RESTRICTED TO	
2 PLC ± -		WEIGHT		A3 00779 C=440054	
3 PLC ± -		CUSTOMER DRAWING		SCALE SHEET 7 of 9 REV F8	
4 PLC ± -					
ANGLES ± -					
MATERIAL FINISH					

4

3

2

1

THIS DRAWING IS UNPUBLISHED.

RELEASED FOR PUBLICATION

AUG ,2006.

© COPYRIGHT 2009 BY TYCO ELECTRONICS CORPORATION. ALL RIGHTS RESERVED.

LOC

DIST

REVISIONS

DW

P

LTR

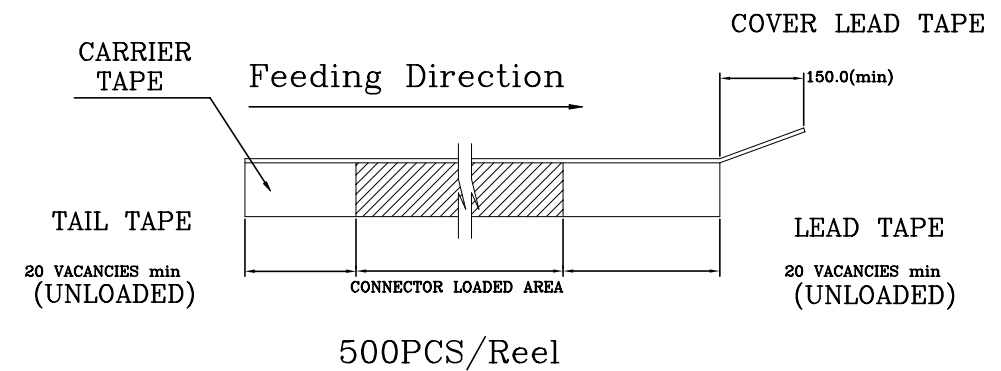
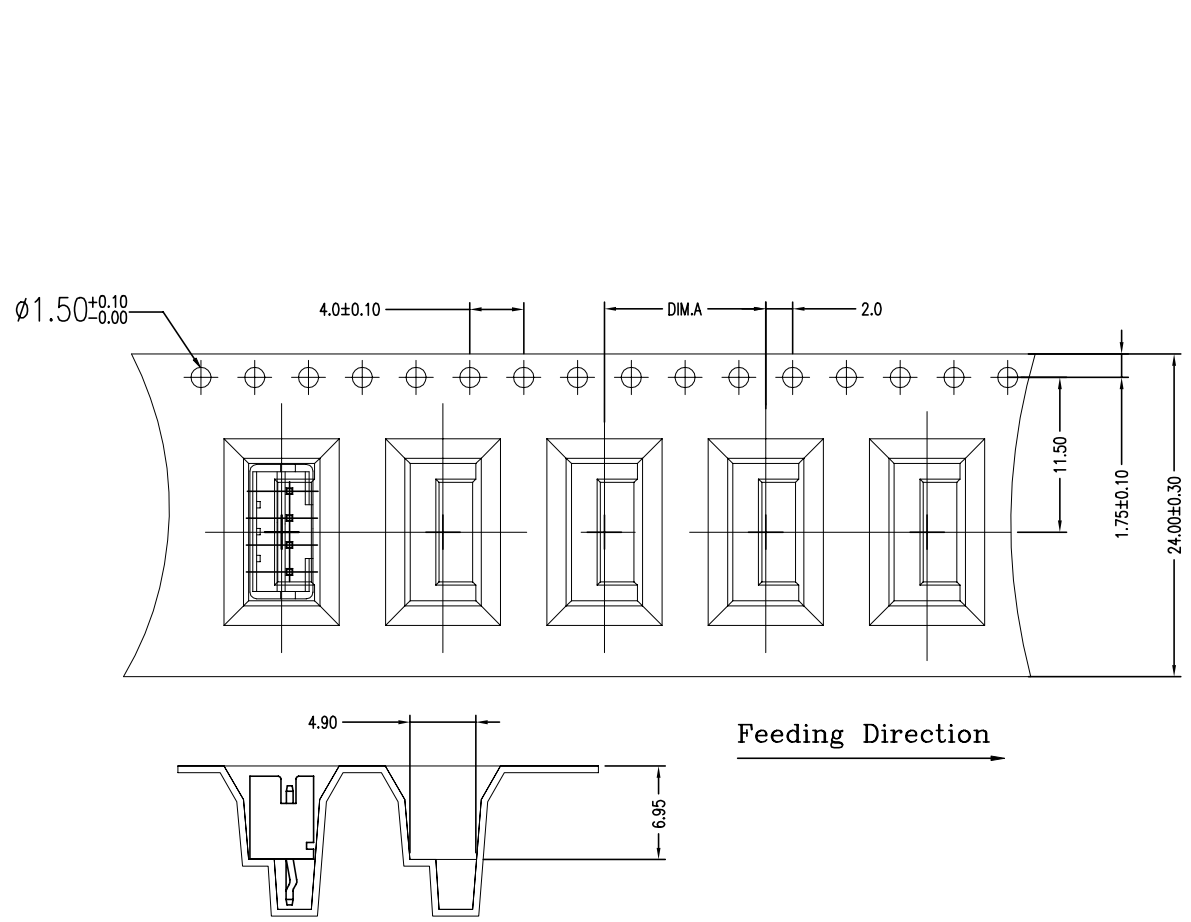
DESCRIPTION

DATE

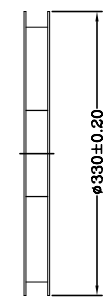
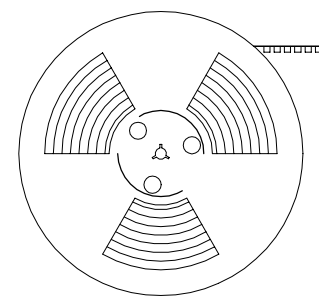
DWN

APVD

SEE SHEET 1.



Feeding Direction



16.0	WITHOUT	1800	450	4P	9-440054-1
DIM.A	CAP	APQ (PCS/CARTON)	PPQ (PCS/REEL)	POS.	PART NUMBER

THIS DRAWING IS A CONTROLLED DOCUMENT.		DWN		STE TE Connectivity	
DIMENSIONS: MM		CHK			
TOLERANCES UNLESS OTHERWISE SPECIFIED:		APVD		NAME	
0 PLC ± -		PRODUCT SPEC		2.0 MM PITCH HPI VERTICAL POST HEADERS	
1 PLC ± -		APPLICATION SPEC		SIZE CAGE CODE DRAWING NO RESTRICTED TO	
2 PLC ± -		WEIGHT		A3 00779 C=440054	
3 PLC ± -		CUSTOMER DRAWING		SCALE SHEET 8 of 9 REV F8	
4 PLC ± -					
ANGLES ± -					
MATERIAL		FINISH			

4

3

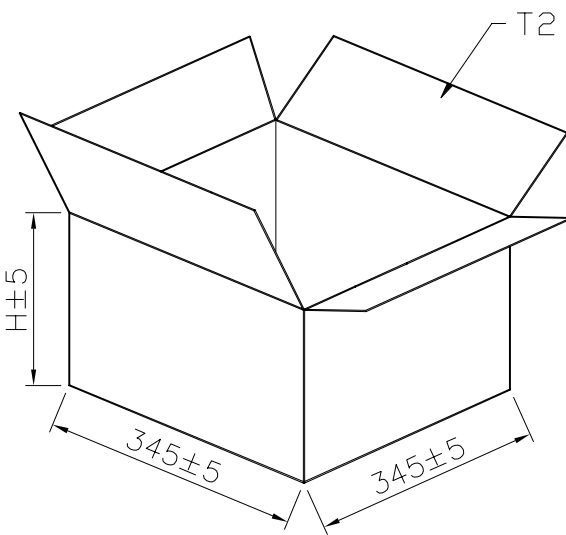
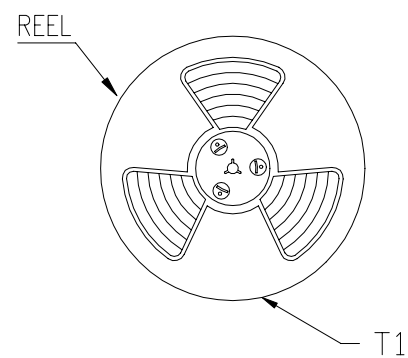
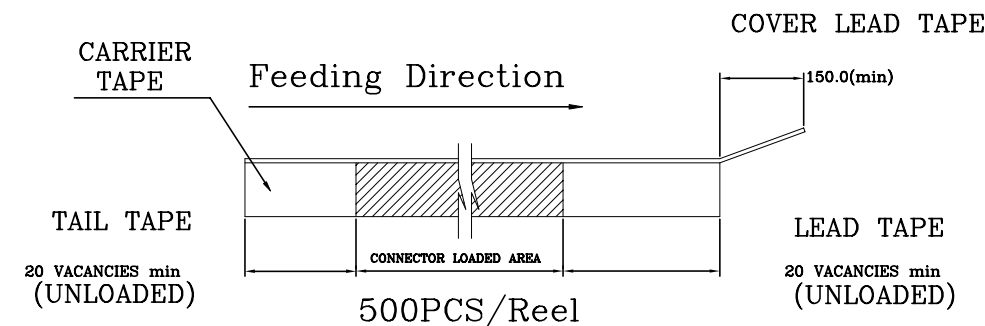
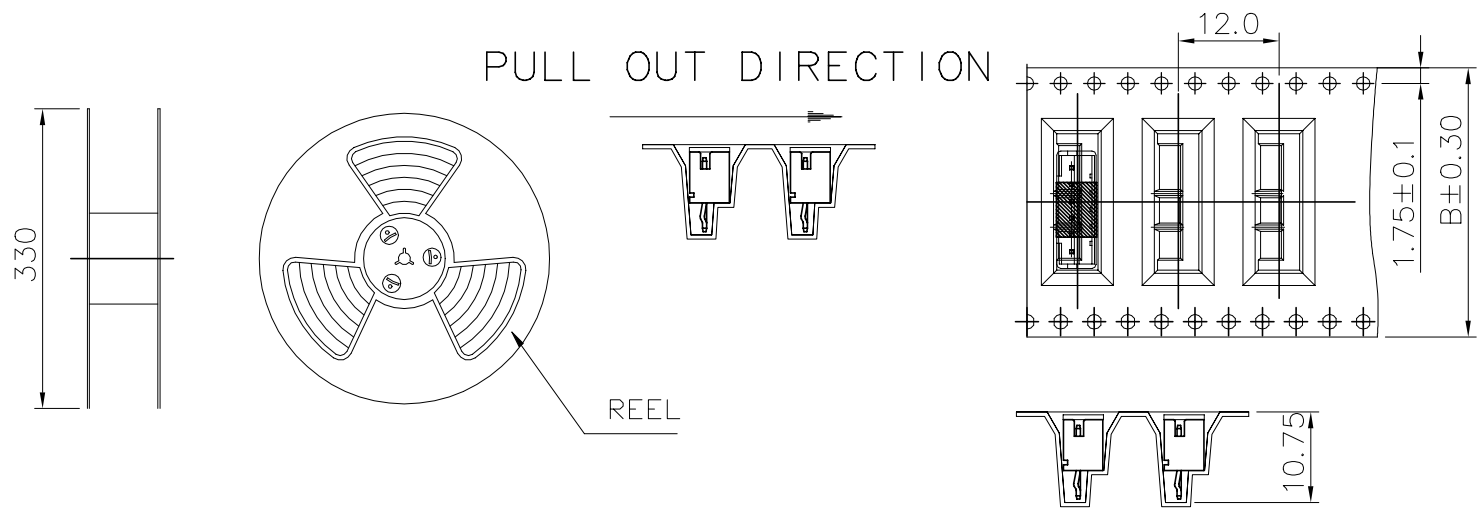
2

1

THIS DRAWING IS UNPUBLISHED. RELEASED FOR PUBLICATION AUG ,2006.

© COPYRIGHT 2009 BY TYCO ELECTRONICS CORPORATION. ALL RIGHTS RESERVED.

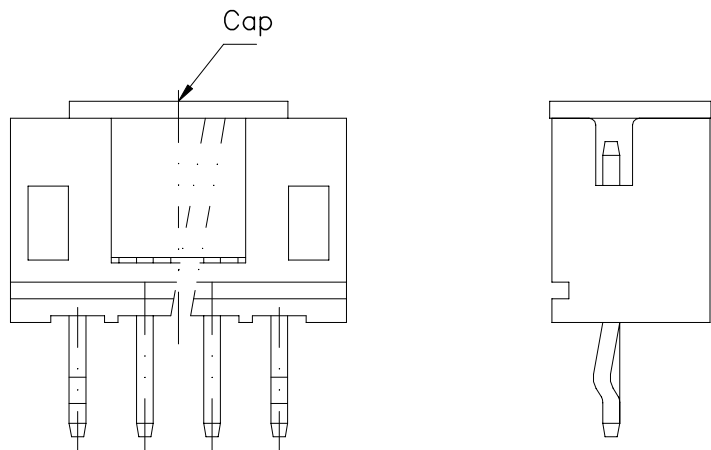
LOC	DIST	REVISIONS					
DW		P	LTR	DESCRIPTION	DATE	DWN	APVD
				SEE SHEET 1.			



H(mm)	POS	B(mm)	PCS./REEL	PCS/CARTON-T2
225	10P	44	500 PCS.	500X4=2000PCS.
125	7P	32	500 PCS.	500X3=1500PCS.

NOTE:
 9-440054-0 10POS WAVE SOLDER PART CAP TYPE.
 8-/9-440054-7 7POS WAVE SOLDER PART CAP TYPE.

32.0	1500	500	7P	8-440054-7
32.0	1500	500	7P	9-440054-7
44.0	2000	500	10P	9-440054-0
B(mm)	APQ (PCS/CARTON)	PPQ (PCS/REEL)	POS.	PART NUMBER



THIS DRAWING IS A CONTROLLED DOCUMENT.		DWN		STE TE Connectivity	
DIMENSIONS: MM		CHK			
TOLERANCES UNLESS OTHERWISE SPECIFIED:		APVD		NAME	
0 PLC ± -		PRODUCT SPEC		2.0 MM PITCH HPI VERTICAL POST HEADERS	
1 PLC ± -		APPLICATION SPEC		SIZE CAGE CODE DRAWING NO RESTRICTED TO	
2 PLC ± -		WEIGHT		A3 00779 C=440054	
3 PLC ± -		CUSTOMER DRAWING		SCALE SHEET 9 of 9 REV F8	
4 PLC ± -					
ANGLES ± -					
MATERIAL FINISH					

X-ON Electronics

Largest Supplier of Electrical and Electronic Components

Click to view similar products for [Headers & Wire Housings](#) category:

Click to view products by [TE Connectivity](#) manufacturer:

Other Similar products are found below :

[892-18-020-10-001101](#) [58102-G61-06LF](#) [582553-1](#) [0009485154](#) [009176003701906](#) [0050291907](#) [LY20-4P-DT1-P1E-BR](#) [02.125.8002.8](#)
[609-3404](#) [61062-3](#) [61082-181009](#) [622-3653LF](#) [63453-116](#) [636-1030](#) [636-1427](#) [636-3427](#) [636-4007](#) [641938-9](#) [641991-4](#) [644827-2](#) [65817-](#)
[010LF](#) [65817-015LF](#) [65863-015LF](#) [66207-023LF](#) [67095-007LF](#) [67601157](#) [68645-018](#) [68648-049](#) [70.362.1628.0](#) [70-4210](#) [70-4226B](#) [70-](#)
[4853B](#) [707-5020](#) [707-5028](#) [71.350.2428.0](#) [71918-208LF](#) [71961-016LF](#) [733-134](#) [733-162](#) [754199-000](#) [760-3052](#) [79531-3000](#) [FCN-](#)
[360C032-B](#) [FCN-367T-T012/H](#) [FCN-723D010/2](#) [80.063.4001.1](#) [800-90-010-10-002000](#) [801-43-002-10-013000](#) [801-43-006-10-002000](#)
[801-93-011-10-001000](#)