

THIS DRAWING IS UNPUBLISHED.

RELEASED FOR PUBLICATION

REVISIONS

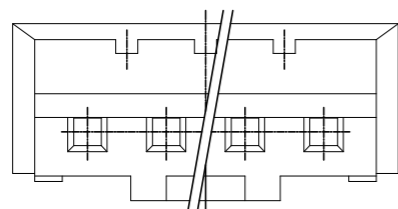
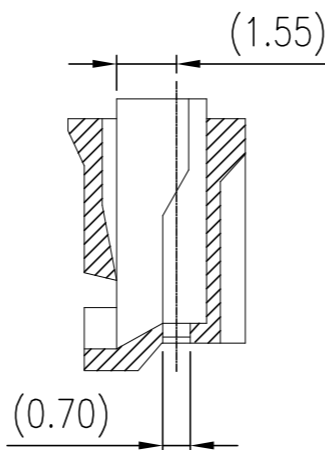
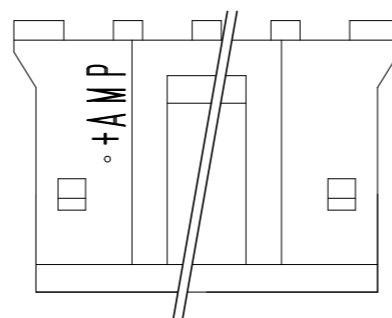
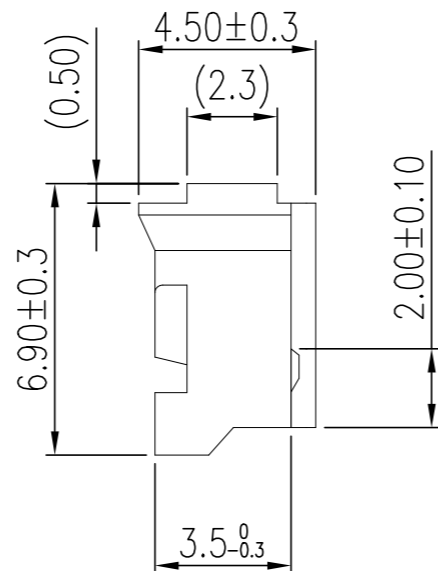
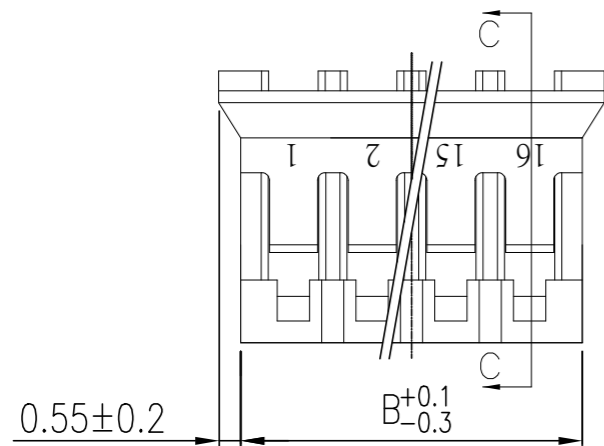
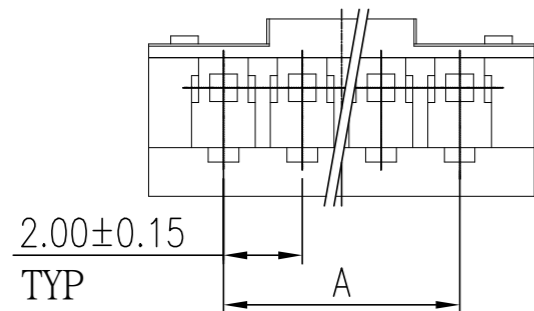
© COPYRIGHT - TE Connectivity Ltd.

ALL RIGHTS RESERVED.

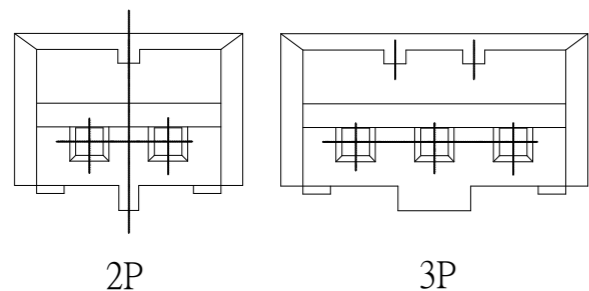
P	LTR	DESCRIPTION	DATE	DWN	APVD
	D5	ECR-19-006475	29APR19	T.Q	W.H

NOTES:

- 1. MATERIAL:
HOUSING: THERMOPLASTIC, UL94V-0, COLOR:SEE TABLE.



4P~16P



2P

3P

COLOR	B	A	POS	PART NUMBER	COLOR	B	A	POS	PART NUMBER
BROWN	10.70	8.00	5P	7-440129-5					
GREEN	22.80	20.00	11P	9-440129-1					
GREEN	10.70	8.00	5P	9-440129-5					
GREEN	8.70	6.00	4P	9-440129-4					
GREEN	6.70	4.00	3P	9-440129-3					
	10.70	8.00	5P	8-440129-5					
RED	8.70	6.00	4P	8-440129-4					
	6.70	4.00	3P	8-440129-3					
	4.70	2.00	2P	8-440129-2					
	10.70	8.00	5P	6-440129-5					
BLACK	8.70	6.00	4P	6-440129-4					
	6.70	4.00	3P	6-440129-3					
	4.70	2.00	2P	6-440129-2					
	24.80	22.00	12P	5-440129-2					
	22.80	20.00	11P	5-440129-1					
	20.80	18.00	10P	5-440129-0					
	18.80	16.00	9P	4-440129-9					
	16.80	14.00	8P	4-440129-8					
	14.80	12.00	7P	4-440129-7					
	12.70	10.00	6P	4-440129-6					
	10.70	8.00	5P	4-440129-5					
	8.70	6.00	4P	4-440129-4					
	6.70	4.00	3P	4-440129-3					
	4.70	2.00	2P	4-440129-2					
	10.70	8.00	5P	2-440129-5					
	8.70	6.00	4P	2-440129-4					
BLUE	6.70	4.00	3P	2-440129-3					
	4.70	2.00	2P	2-440129-2					
	18.80	16.00	9P	2-440129-9					
	16.80	14.00	8P	2-440129-8					
	32.80	30.00	16P	1-440129-6					
	30.80	28.00	15P	1-440129-5					
	28.80	26.00	14P	1-440129-4					
	26.80	24.00	13P	1-440129-3					
	24.80	22.00	12P	1-440129-2					
	22.80	20.00	11P	1-440129-1					
	20.80	18.00	10P	1-440129-0					
	18.80	16.00	9P	440129-9					
	16.80	14.00	8P	440129-8					
	14.80	12.00	7P	440129-7					
	12.70	10.00	6P	440129-6					
	10.70	8.00	5P	440129-5					
	8.70	6.00	4P	440129-4					
	6.70	4.00	3P	440129-3					
	4.70	2.00	2P	440129-2					
					NATURAL				

THIS DRAWING IS A CONTROLLED DOCUMENT.

DWN Tommy Qian 17OCT2018
CHK Wenke He 17OCT2018
APVD Wenke He 17OCT2018

TE Connectivity Ltd.

2.0MM PITCH HPI CRIMP HOUSING

SIZE A3 CAGE CODE 00779 DRAWING NO C=440129 RESTRICTED TO

CUSTOMER DRAWING SCALE 1:1 SHEET 1 OF 2 REV D5

DIMENSIONS:	TOLERANCES UNLESS OTHERWISE SPECIFIED:
mm	
0 PLC	± 0.3
1 PLC	± 0.25
2 PLC	± 0.15
3 PLC	± 0.05
4 PLC	± -
ANGLES	± -

MATERIAL	FINISH
-	-

THIS DRAWING IS UNPUBLISHED.

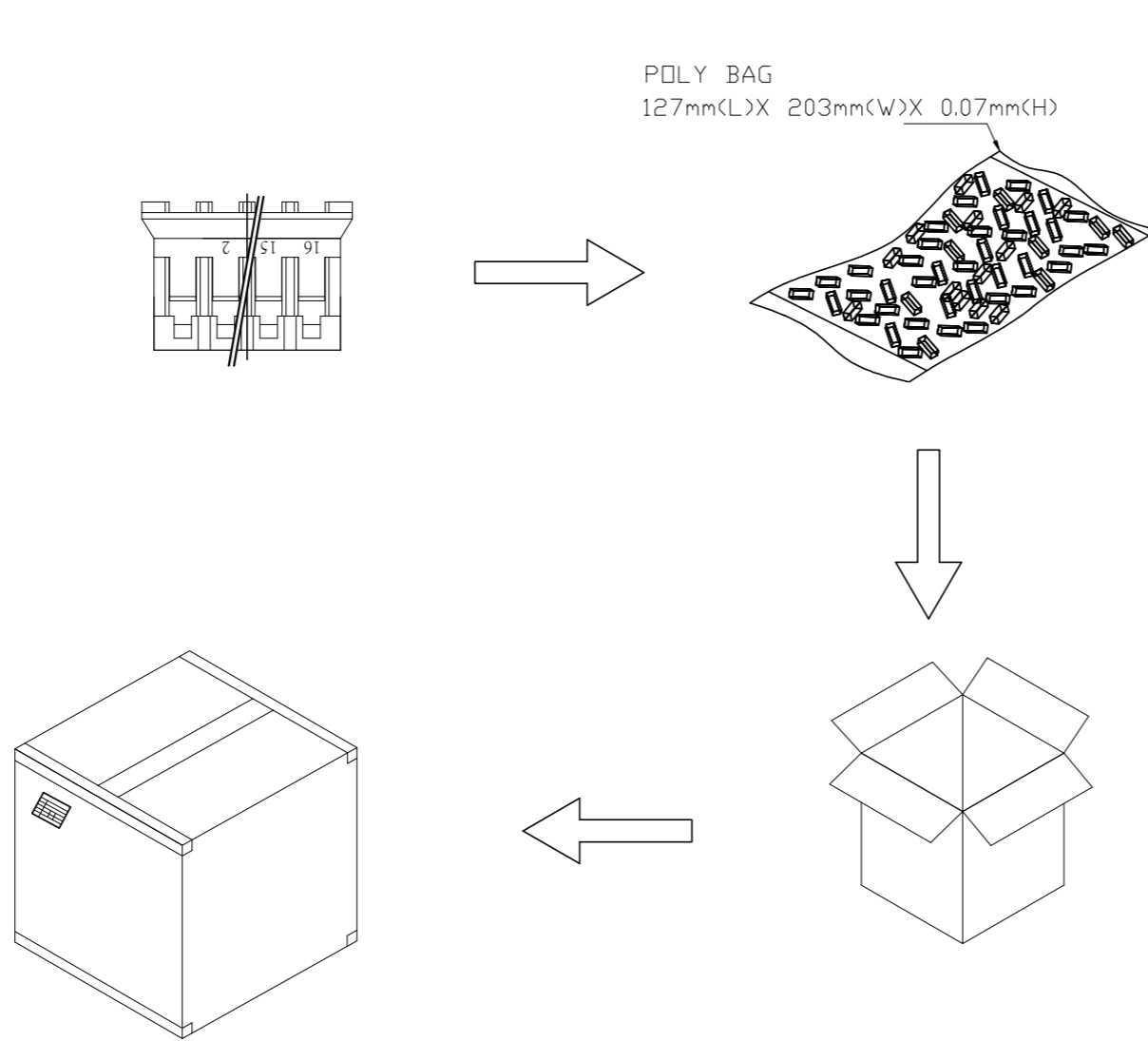
RELEASED FOR PUBLICATION

REVISIONS

© COPYRIGHT - TE Connectivity Ltd.

ALL RIGHTS RESERVED.

P	LTR	DESCRIPTION	DATE	DWN	APVD
-	-	SEE SHEET 1	-	-	-



POLY BAG
127mm(L)X 203mm(W)X 0.07mm(H)

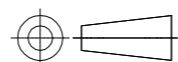
CARTON
320mm(L)x220mm(W)x140mm(H)
(FOR HEADER 2P~5P ONLY)

340mm(L)x470mm(W)x316mm(H)
(FOR HEADER 6P~16P ONLY)

APQ (PCS/CARTON)	PPO (PCS/BAG)	POS	PART NUMBER	APQ (PCS/CARTON)	PPO (PCS/BAG)	POS	PART NUMBER
30,000	1,000	12P	8-440129-1	15,000	1,000	5P	7-440129-5
50,000	1,000	8P	8-440129-8	35,000	1,000	11P	9-440129-1
				15,000	1,000	5P	9-440129-5
				36,000	2,000	4P	9-440129-4
				20,000	1,000	3P	9-440129-3
				15,000	1,000	5P	8-440129-5
				18,000	1,000	4P	8-440129-4
				20,000	1,000	3P	8-440129-3
				36,000	2,000	2P	8-440129-2
				15,000	1,000	5P	6-440129-5
				18,000	1,000	4P	6-440129-4
				20,000	1,000	3P	6-440129-3
				36,000	2,000	2P	6-440129-2
				30,000	1,000	12P	5-440129-2
				35,000	1,000	11P	5-440129-1
				40,000	1,000	10P	5-440129-0
				45,000	1,000	9P	4-440129-9
				50,000	1,000	8P	4-440129-8
				10,000	1,000	7P	4-440129-7
				12,000	1,000	6P	4-440129-6
				15,000	1,000	5P	4-440129-5
				18,000	1,000	4P	4-440129-4
				20,000	1,000	3P	4-440129-3
				36,000	2,000	2P	4-440129-2
				15,000	1,000	5P	2-440129-5
				18,000	1,000	4P	2-440129-4
45,000	1,000	9P	2-440129-9	20,000	1,000	3P	2-440129-3
50,000	1,000	8P	2-440129-8	36,000	2,000	2P	2-440129-2
				25,000	1,000	16P	1-440129-6
				25,000	1,000	15P	1-440129-5
				25,000	1,000	14P	1-440129-4
				30,000	1,000	13P	1-440129-3
				30,000	1,000	12P	1-440129-2
				35,000	1,000	11P	1-440129-1
				40,000	1,000	10P	1-440129-0
				45,000	1,000	9P	440129-9
				50,000	1,000	8P	440129-8
				10,000	1,000	7P	440129-7
				12,000	1,000	6P	440129-6
				15,000	1,000	5P	440129-5
				18,000	1,000	4P	440129-4
				20,000	1,000	3P	440129-3
				36,000	2,000	2P	440129-2

THIS DRAWING IS A CONTROLLED DOCUMENT.

DIMENSIONS: mm



TOLERANCES UNLESS OTHERWISE SPECIFIED:	
0 PLC	± 0.3
1 PLC	± 0.25
2 PLC	± 0.15
3 PLC	± 0.05
4 PLC	± -
ANGLES	± -

MATERIAL: - FINISH: -

DWN	17OCT2018	Tommy Qian
CHK	17OCT2018	Wenke He
APVD	17OCT2018	Wenke He
PRODUCT SPEC	-	-
APPLICATION SPEC	-	-
WEIGHT	-	-



2.0MM PITCH HPI CRIMP HOUSING

SIZE	CAGE CODE	DRAWING NO	RESTRICTED TO
A3	00779	C=440129	-

CUSTOMER DRAWING SCALE 1:1 SHEET 2 OF 2 REV D5

X-ON Electronics

Largest Supplier of Electrical and Electronic Components

Click to view similar products for [Headers & Wire Housings](#) category:

Click to view products by [TE Connectivity](#) manufacturer:

Other Similar products are found below :

[892-18-020-10-001101](#) [58102-G61-06LF](#) [582553-1](#) [0009485154](#) [009176003701906](#) [0050291907](#) [LY20-4P-DT1-P1E-BR](#) [02.125.8002.8](#)
[609-3404](#) [61062-3](#) [61082-181009](#) [622-3653LF](#) [63453-116](#) [636-1030](#) [636-1427](#) [636-3427](#) [636-4007](#) [641938-9](#) [641991-4](#) [644827-2](#) [65817-010LF](#) [65817-015LF](#) [65863-015LF](#) [66207-023LF](#) [67095-007LF](#) [67601157](#) [68645-018](#) [68648-049](#) [70.362.1628.0](#) [70-4210](#) [70-4226B](#) [70-4853B](#) [707-5020](#) [707-5028](#) [71.350.2428.0](#) [71918-208LF](#) [71961-016LF](#) [733-134](#) [733-162](#) [754199-000](#) [760-3052](#) [787-8014-00](#) [79531-3000](#)
[FCN-360C032-B](#) [FCN-367T-T012/H](#) [FCN-723D010/2](#) [80.063.4001.1](#) [800-90-001-10-001000](#) [800-90-010-10-002000](#) [801-43-002-10-013000](#)