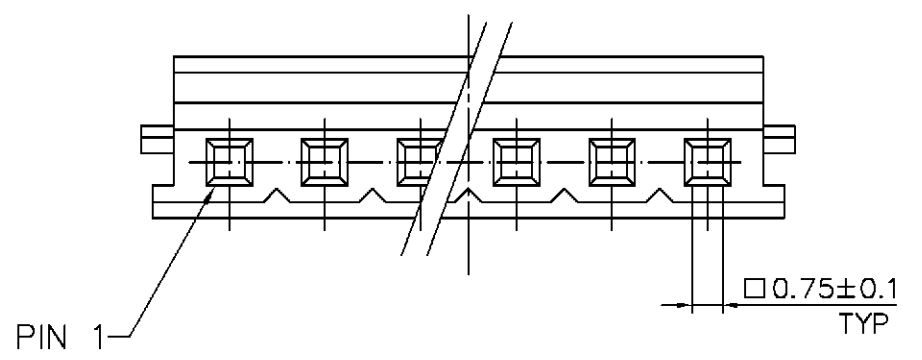
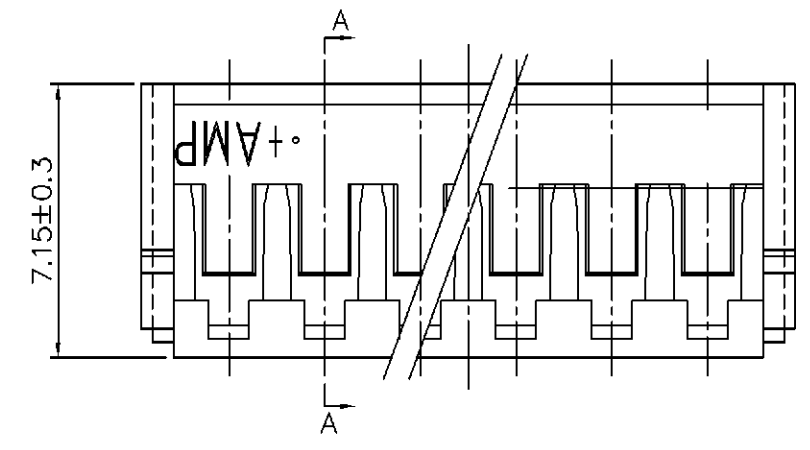
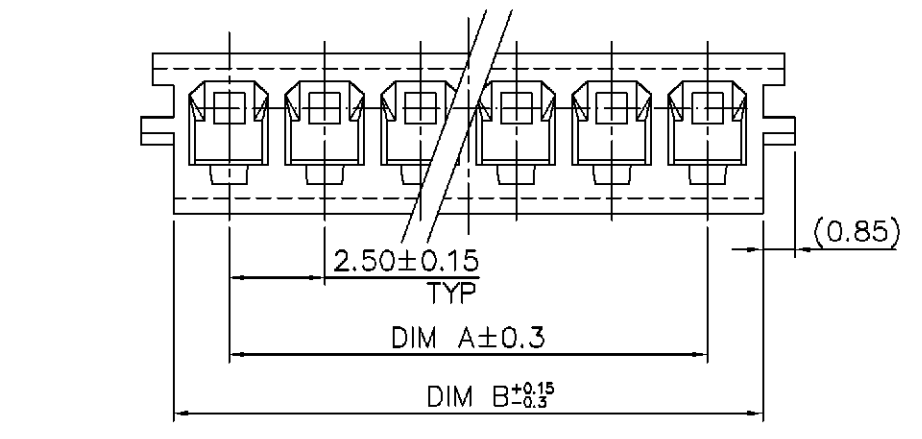
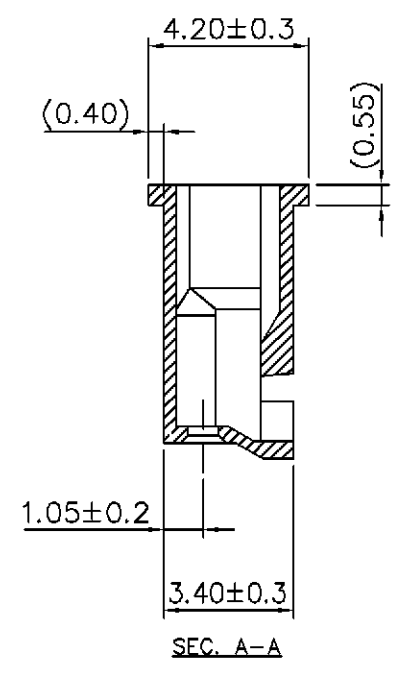


PRINT DIST DW 8 7 6 5 4 3 2 1 CUSTOMER DRAWING

DIMENSIONS IN MILLIMETERS. DO NOT SCALE PRINT.

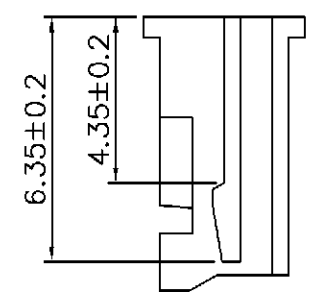
METRIC

NUMBER C-440133



NOTE:

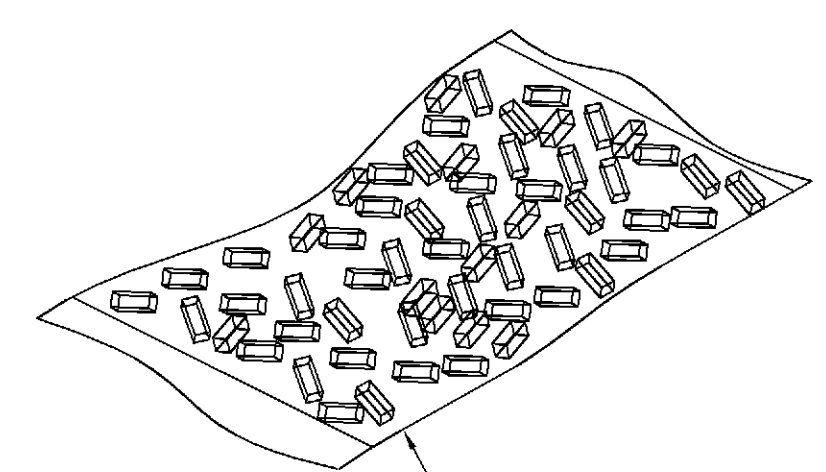
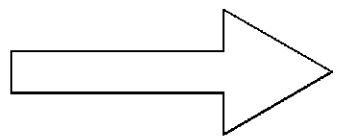
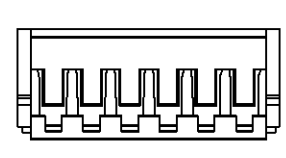
MATERIAL: NYLON 66 UL 94V-0, COLOR: SEE TABLE.



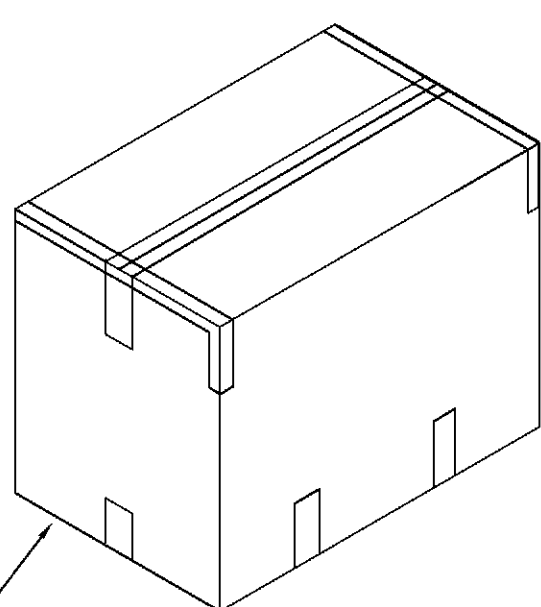
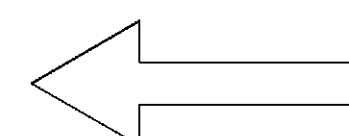
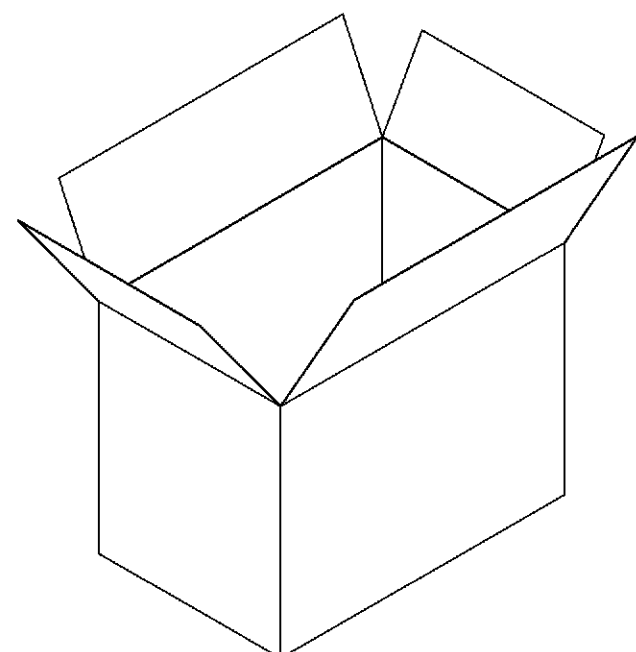
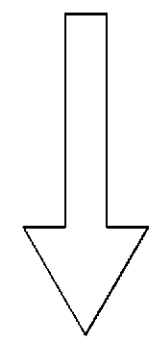
HSG. COLOR	DIM B	DIM A	CIRCUITS	PART NO.
YELLOW	37.9	35.00	15P	3-440133-5
	35.4	32.50	14P	3-440133-4
	32.9	30.00	13P	3-440133-3
	30.4	27.50	12P	3-440133-2
	27.9	25.00	11P	3-440133-1
	25.4	22.50	10P	3-440133-0
	22.9	20.00	9P	2-440133-9
	20.4	17.50	8P	2-440133-8
	17.9	15.00	7P	2-440133-7
	15.4	12.50	6P	2-440133-6
	12.9	10.00	5P	2-440133-5
	10.4	7.50	4P	2-440133-4
NATURAL	7.9	5.00	3P	2-440133-3
	5.4	2.50	2P	2-440133-2
	37.9	35.00	15P	1-440133-5
	35.4	32.50	14P	1-440133-4
	32.9	30.00	13P	1-440133-3
	30.4	27.50	12P	1-440133-2
	27.9	25.00	11P	1-440133-1
	25.4	22.50	10P	1-440133-0
	22.9	20.00	9P	440133-9
	20.4	17.50	8P	440133-8
	17.9	15.00	7P	440133-7
	15.4	12.50	6P	440133-6
12.9	10.00	5P	440133-5	
10.4	7.50	4P	440133-4	
7.9	5.00	3P	440133-3	
5.4	2.50	2P	440133-2	

TOLERANCES UNLESS OTHERWISE SPECIFIED: 0 PLC ± 1 PLC ± 2 PLC ± 3 PLC ± ANGLES ±	DWN O. HU 25-OCT-2002	
MATERIAL SEE NOTE	CHK J. CHENG 25-OCT-2002	
FINISH SEE NOTE	APVD J. WU 25-OCT-2002	2.5 MM PITCH HPI CRIMP HOUSING
	PRODUCT SPEC 108-57099	
	APPLICATION SPEC 114-57004	LOC DW SIZE A ₃ DRAWING NO C-440133 REV B1
	WEIGHT	SCALE -- SHEET 1 OF 2

B1	REVISED PER ECO-11-005294	HMR	06APR 11
LTR	REVISION RECORD	DWN	CHK DATE



POLY BAG
 127mm(L)X 203mm(W)X 0.07mm(H)



CARTON
 320mm(L)X 220mm(W)X 155mm(H)
 (FOR HEADER 2P~7P ONLY)
 340mm(L)X 470mm(W)X 365mm(H)
 (FOR HEADER 8P~15P ONLY)

15,000	1,000	15P	3-440133-5	1-440133-5
20,000	1,000	14P	3-440133-4	1-440133-4
20,000	1,000	13P	3-440133-3	1-440133-3
25,000	1,000	12P	3-440133-2	1-440133-2
25,000	1,000	11P	3-440133-1	1-440133-1
30,000	1,000	10P	3-440133-0	1-440133-0
35,000	1,000	9P	2-440133-9	440133-9
40,000	1,000	8P	2-440133-8	440133-8
8,000	1,000	7P	2-440133-7	440133-7
10,000	1,000	6P	2-440133-6	440133-6
12,000	1,000	5P	2-440133-5	440133-5
15,000	1,000	4P	2-440133-4	440133-4
20,000	1,000	3P	2-440133-3	440133-3
25,000	1,000	2P	2-440133-2	440133-2
APQ (PCS/CARTON)	PPQ (PCS/BAG)	CIRCUITS	YELLOW	NATURAL
			HOUSING COLOR	
			PART NUMBER	

TOLERANCES UNLESS OTHERWISE SPECIFIED: 0 PLC ± 1 PLC ± 2 PLC ± 3 PLC ± ANGLES ±	DWN	O. HU	
	25-OCT-2002	25-OCT-2002	
MATERIAL SEE SHEET 1.	CHK	J. CHENG	2.5 MM PITCH HPI CRIMP HOUSING
	25-OCT-2002	25-OCT-2002	
FINISH SEE SHEET 1.	APVD	J. WU	LOC DW SIZE DRAWING NO REV A ₃ C-440133 B1
	25-OCT-2002	25-OCT-2002	
	PRODUCT SPEC		
	APPLICATION SPEC		
	WEIGHT		SCALE SHEET
			-- 2 OF 2

SEE SHEET 1.	ECN	DWN	CHK	DATE
LTR	REVISION RECORD			

X-ON Electronics

Largest Supplier of Electrical and Electronic Components

Click to view similar products for [Headers & Wire Housings](#) category:

Click to view products by [TE Connectivity](#) manufacturer:

Other Similar products are found below :

[892-18-020-10-001101](#) [58102-G61-06LF](#) [582553-1](#) [0009485154](#) [009176003701906](#) [0050291907](#) [LY20-4P-DT1-P1E-BR](#) [02.125.8002.8](#)
[609-3404](#) [61062-3](#) [61082-181009](#) [622-3653LF](#) [63453-116](#) [636-1030](#) [636-1427](#) [636-3427](#) [636-4007](#) [641938-9](#) [641991-4](#) [644827-2](#) [65817-](#)
[010LF](#) [65817-015LF](#) [65863-015LF](#) [66207-023LF](#) [67095-007LF](#) [67601157](#) [68645-018](#) [68648-049](#) [70.362.1628.0](#) [70-4210](#) [70-4226B](#) [70-](#)
[4853B](#) [707-5020](#) [707-5028](#) [71.350.2428.0](#) [71918-208LF](#) [71961-016LF](#) [733-134](#) [733-162](#) [754199-000](#) [760-3052](#) [787-8014-00](#) [79531-3000](#)
[FCN-360C032-B](#) [FCN-367T-T012/H](#) [FCN-723D010/2](#) [80.063.4001.1](#) [800-90-001-10-001000](#) [800-90-010-10-002000](#) [801-43-002-10-013000](#)