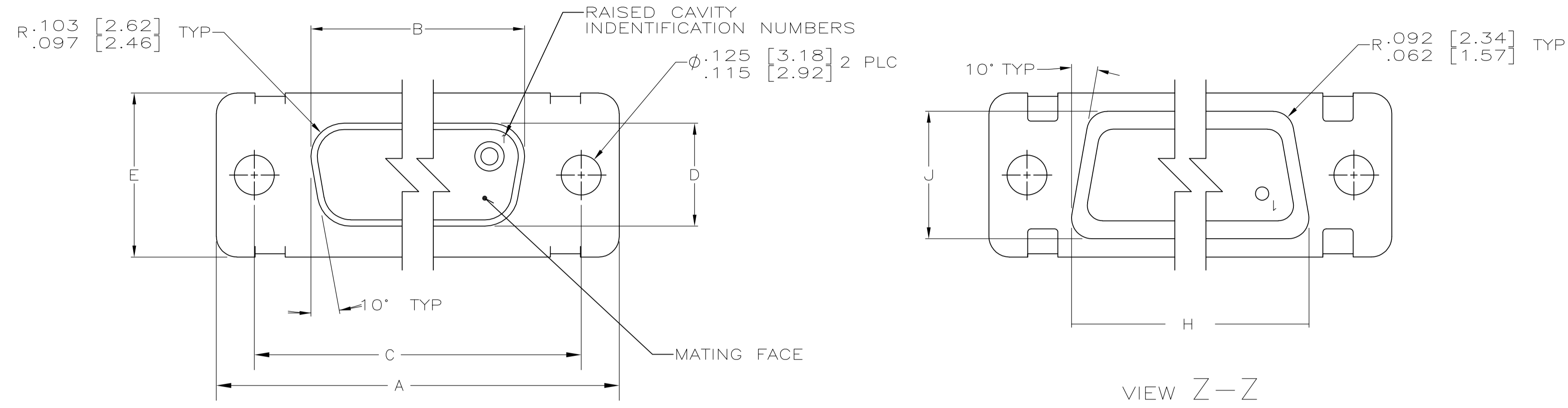
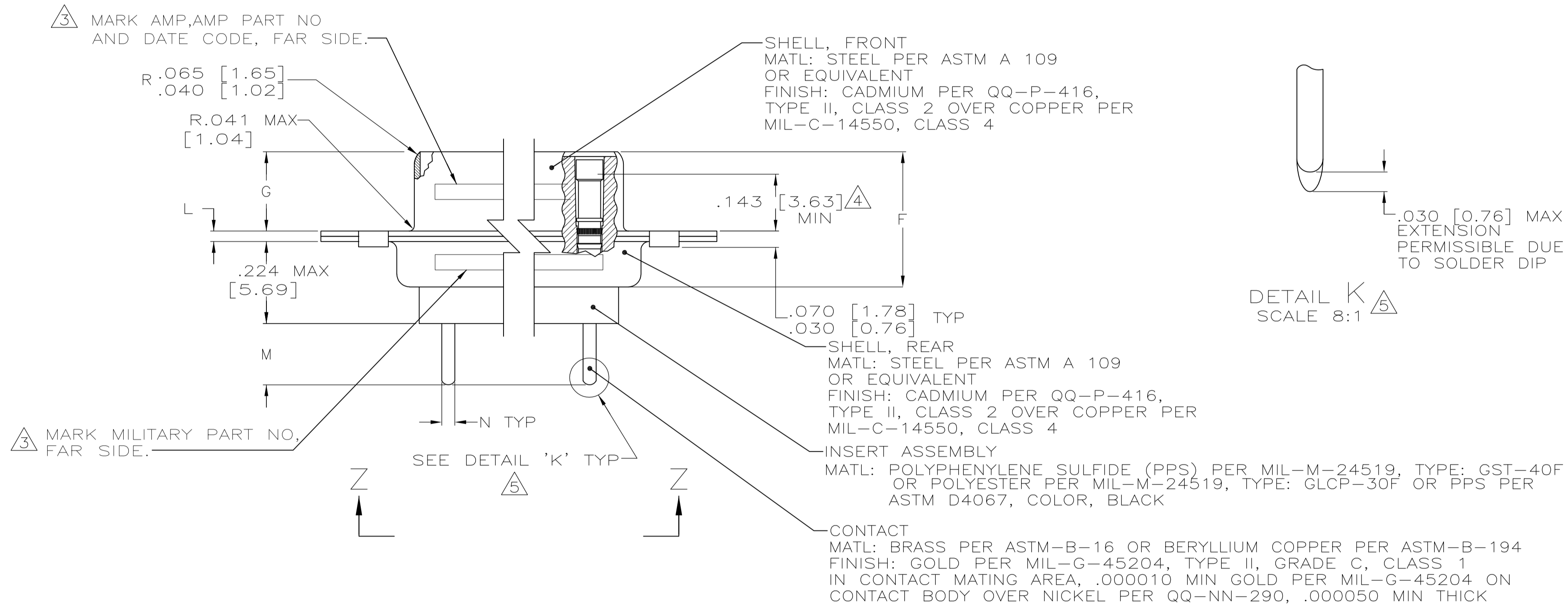


LOC		DIST		REVISIONS			
P	LTR	DATE	DN	APVD			
D	REV PER ECO-07-017102	20SEP07	PY	BW			

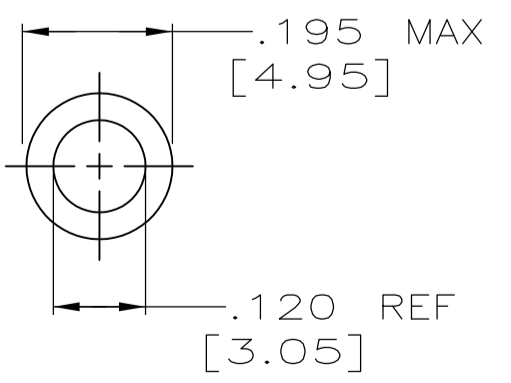


- 1. SEE SHEET 2 FOR RECOMMENDED P.C. BOARD LAYOUT. TRUE POSITION TOLERANCE FOR P.C. BOARD LAYOUT IS .010 [0.25] AT MAX MATERIAL CONDITION. SUGGESTED BOARD THICKNESS IS .125 [3.18]
- 2. THE CONNECTORS DESCRIBED IN THIS DOCUMENT MEET THE REQUIREMENTS OF MIL-C-24308 AND MATE WITH ANY PLUG CONNECTOR WITH SAME INSERT ARRANGEMENT.
- 3. MARK WITH .047 [1.19]-.062 [1.57] HIGH CHARACTERS. FAR SIDE REFERS TO THE WIDE SIDE OF THE KEYSTONE. NEAR SIDE REFERS TO THE NARROW SIDE OF THE KEYSTONE. IF THE REAR SHELL IS TOO SMALL FOR THE ENTIRE MILITARY PART NUMBER, MARKING SHALL BE LOCATED AS FOLLOWS:
 - A. "M24308" ON FRONT SHELL, FAR SIDE.
 - B. SLASH SHEET AND DASH NUMBER ON REAR SHELL, FAR SIDE.
 - C. "AMP" AND DATE CODE ON FRONT SHELL, NEAR SIDE.
 - D. AMP PART NUMBER ON REAR SHELL, NEAR SIDE.
 IF THE FRONT SHELL IS TOO SMALL FOR "AMP", AMP PART NUMBER AND DATE CODE, THEN SPLIT AS FOLLOWS:
 - A. AMP PART NUMBER ON REAR SHELL, NEAR SIDE.
 - B. "AMP" AND DATE CODE ON FRONT SHELL, NEAR SIDE.
 - C. MILITARY PART NUMBER ON REAR SHELL, FAR SIDE.



- 4. POINT OF ELECTRICAL ENGAGEMENT - AS MEASURED WITH A .0390 [0.991]-.0393 [0.998] DIA SQUARE ENDED TEST PIN.
- 5. SOLDER DIP PER MIL-STD-2000 COMPOSITION Sn63 CONFORMING TO QQ-S-571. COVERAGE SHALL BE COMPLETE TO A DISTANCE .020 [0.51] MAX FROM INSERT ASSEMBLY.
- 6. THE SOLDER DIP PROCESS IS PERFORMED SUBSEQUENT TO THE COMPLETION OF PRODUCTION OF THE MILITARY QUALIFIED CONNECTOR. DIMENSIONS APPLY PRIOR TO SOLDER DIPPING.
- 7. SPACERS (QTY 2) ARE SUPPLIED WITH CONNECTORS (NOT ATTACHED TO THE CONNECTOR).
- 8. DIMENSIONS AND TOLERANCES PER ANSI Y14.5M-1982.
- 9. THIS DRAWING SHALL BE INTERPRETED IN ACCORDANCE WITH APPLICABLE STANDARDS LISTED IN MIL-STD-100.

N	M	L	J	H	G	F	E	D	C	B	A	INSERT ARRANGEMENT	NO OF POS	SHELL SIZE	MILITARY P/N ON CONNECTOR	AMP P/N ON CONNECTOR	PART NUMBER
.043 [1.09] / .037 [0.94]	.176 [4.47] / .136 [3.45]	.040 [1.02] / .020 [0.51]	.544 [13.82] / .524 [13.31]	2.188 [55.58] / 2.168 [55.07]	.248 [6.30] / .238 [6.05]	.439 [11.15] / .419 [10.64]	.620 [15.75] / .590 [14.99]	.428 [10.87] / .418 [10.62]	2.411 [61.24] / 2.401 [60.99]	2.069 [52.55] / 2.059 [52.30]	2.650 [67.31] / 2.620 [66.55]	MS18277-1	50	5	M24308/23-17F	443977-5	1-443977-0
				2.282 [57.96] / 2.262 [57.45]					2.505 [63.63] / 2.495 [63.37]	2.164 [54.97] / 2.154 [54.71]	2.744 [69.70] / 2.714 [68.94]	MS18276-1	37	4	M24308/23-16F	443977-4	443977-9
			.432 [10.97] / .412 [10.46]	1.635 [41.53] / 1.615 [41.02]			.509 [12.93] / .479 [12.17]	.316 [8.03] / .306 [7.77]	1.857 [47.17] / 1.847 [46.91]	1.516 [38.51] / 1.506 [38.25]	2.103 [53.42] / 2.073 [52.65]	MS18275-1	25	3	M24308/23-15F	443977-3	443977-8
				1.093 [27.76] / 1.073 [27.25]					1.317 [33.45] / 1.307 [33.20]	.976 [24.79] / .966 [24.54]	1.556 [39.52] / 1.526 [38.76]	MS18274-1	15	2	M24308/23-14F	443977-2	443977-7
				.769 [19.53] / .749 [19.02]					.989 [25.12] / .979 [24.87]	.648 [16.46] / .638 [16.21]	1.228 [31.19] / 1.198 [30.43]	MS18273-1	9	1	M24308/23-13F	443977-1	443977-6
				2.188 [55.58] / 2.168 [55.07]			.620 [15.75] / .590 [14.99]	.428 [10.87] / .418 [10.62]	2.411 [61.24] / 2.401 [60.99]	2.069 [52.55] / 2.059 [52.30]	2.650 [67.31] / 2.620 [66.55]	MS18277-1	50	5	M24308/23-17F	443977-5	443977-5
				2.282 [57.96] / 2.262 [57.45]					2.505 [63.63] / 2.495 [63.37]	2.164 [54.97] / 2.154 [54.71]	2.744 [69.70] / 2.714 [68.94]	MS18276-1	37	4	M24308/23-16F	443977-4	443977-4
			.432 [10.97] / .412 [10.46]	1.635 [41.53] / 1.615 [41.02]			.509 [12.93] / .479 [12.17]	.316 [8.03] / .306 [7.77]	1.857 [47.17] / 1.847 [46.91]	1.516 [38.51] / 1.506 [38.25]	2.103 [53.42] / 2.073 [52.65]	MS18275-1	25	3	M24308/23-15F	443977-3	443977-3
				1.093 [27.76] / 1.073 [27.25]					1.317 [33.45] / 1.307 [33.20]	.976 [24.79] / .966 [24.54]	1.556 [39.52] / 1.526 [38.76]	MS18274-1	15	2	M24308/23-14F	443977-2	443977-2
				.769 [19.53] / .749 [19.02]					.989 [25.12] / .979 [24.87]	.648 [16.46] / .638 [16.21]	1.228 [31.19] / 1.198 [30.43]	MS18273-1	9	1	M24308/23-13F	443977-1	443977-1



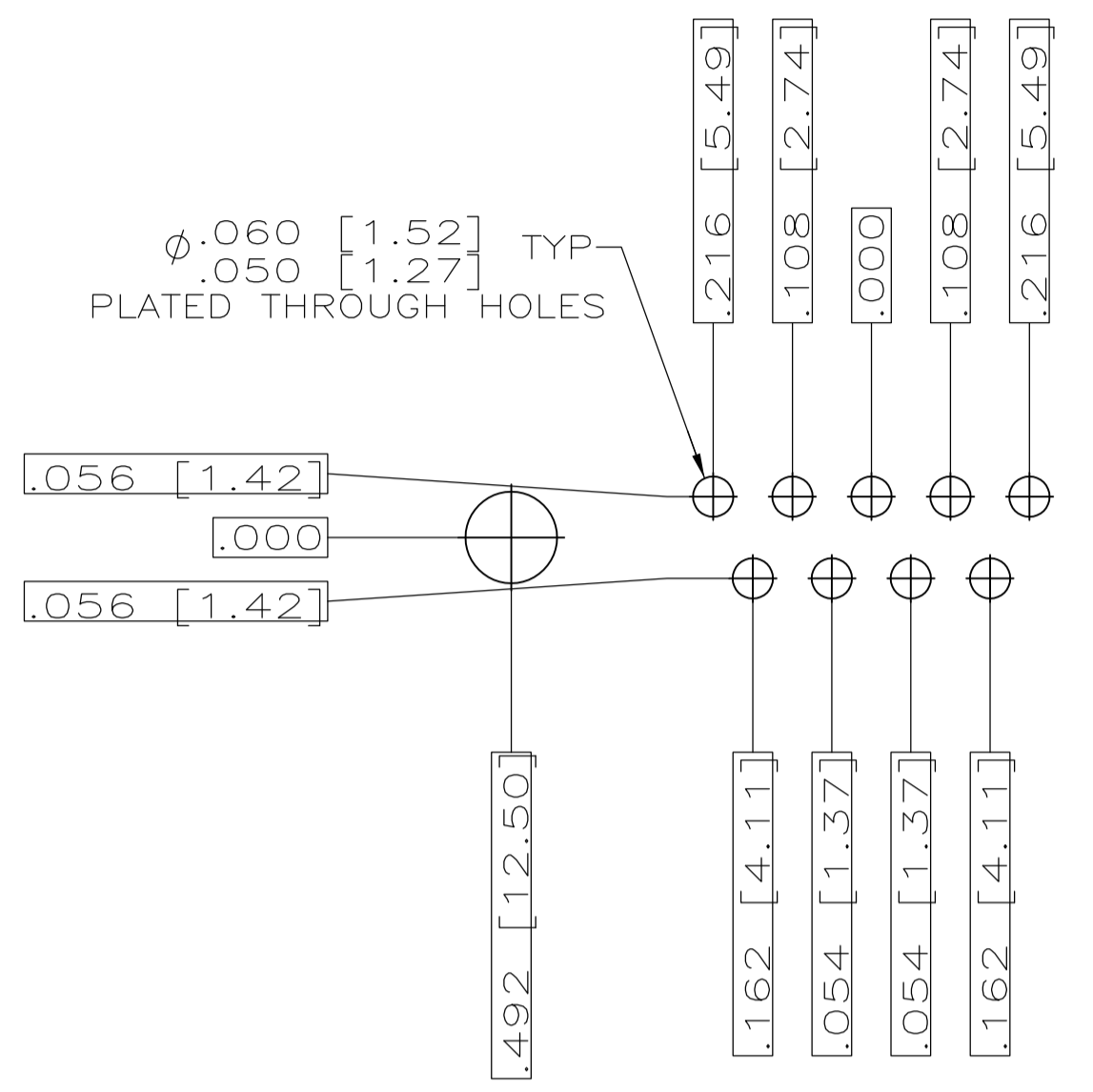
SPACER
 MATL: ALUMINUM ALLOY PER ASTM B 211
 FINISH: IRIDITE PER MIL-C-5541, CLASS 3, COLOR GOLD

THIS DRAWING IS A CONTROLLED DOCUMENT.

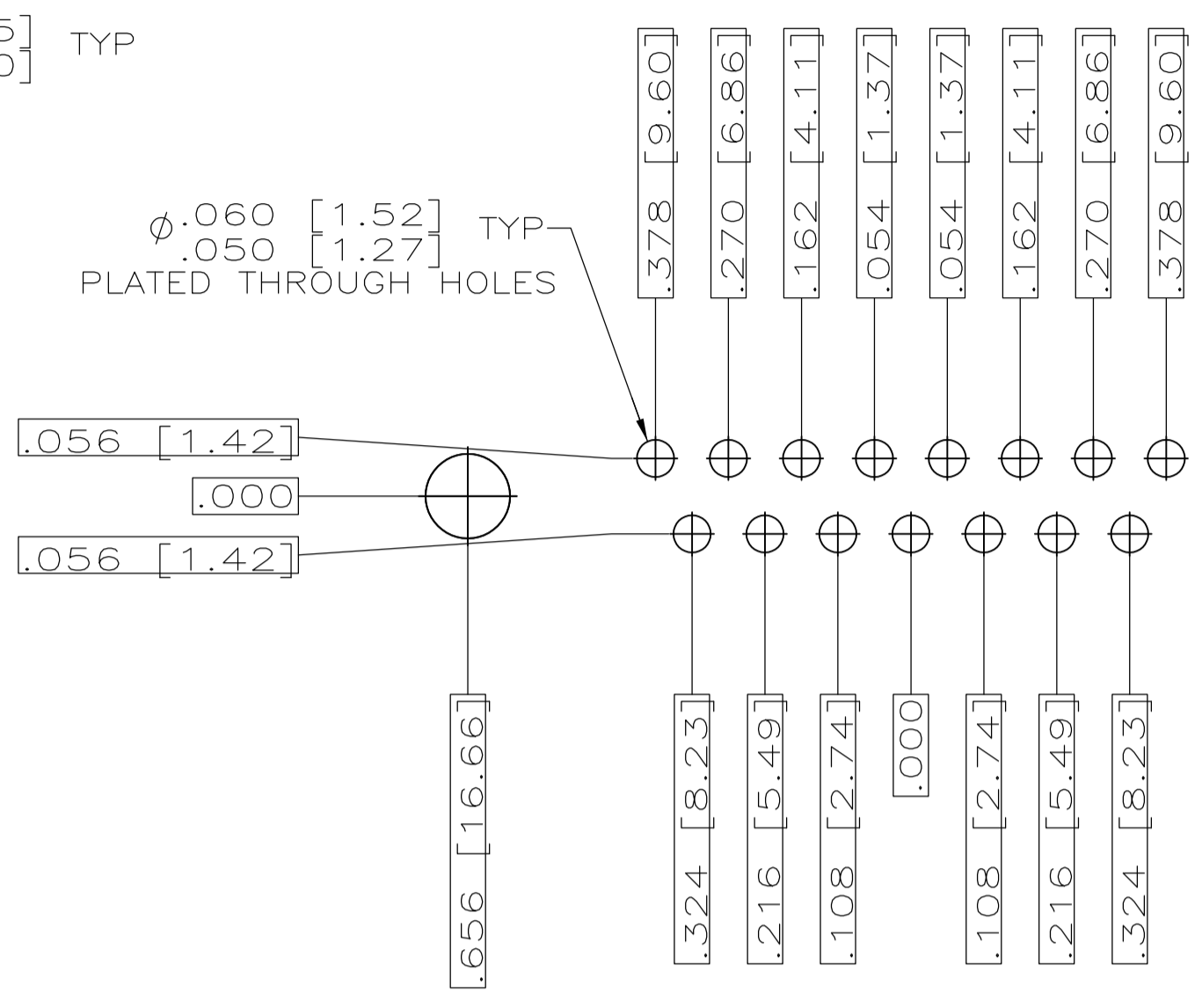
DIMENSIONS: INCHES	TOLERANCES UNLESS OTHERWISE SPECIFIED:	0 PLC ± -	1 PLC ± -	2 PLC ± -	3 PLC ± -	4 PLC ± -	ANGLES ± - 1°
--------------------	--	-----------	-----------	-----------	-----------	-----------	---------------

MATERIAL: SEE CALLOUTS	FINISH: SEE CALLOUTS	WEIGHT: -	SIZE: A1	CAGE CODE: 00779	DRAWING NO: 443977	RESTRICTED TO: -
------------------------	----------------------	-----------	----------	------------------	--------------------	------------------

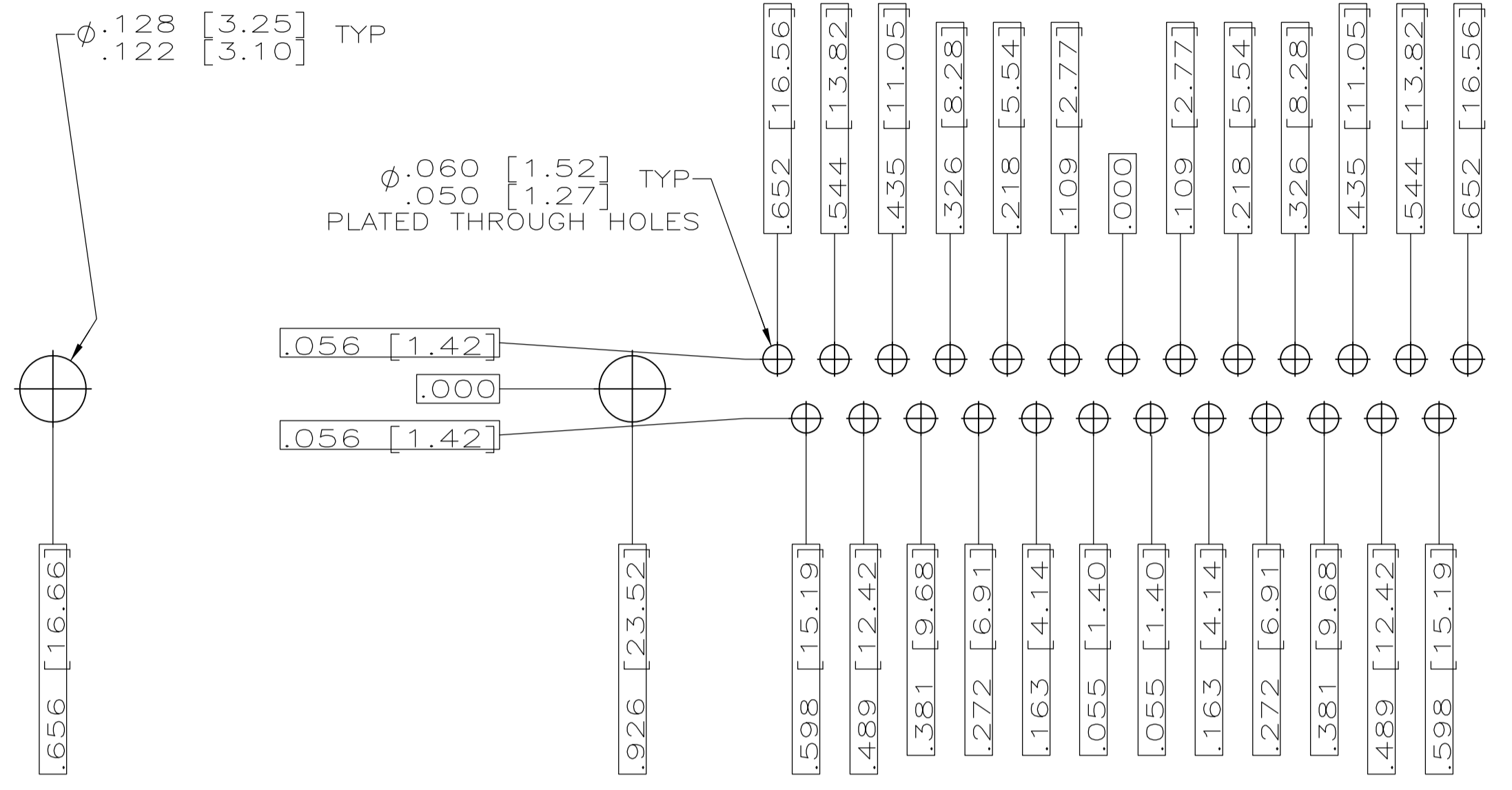
CUSTOMER DRAWING SCALE 4:1 SHEET 1 OF 2 REV D



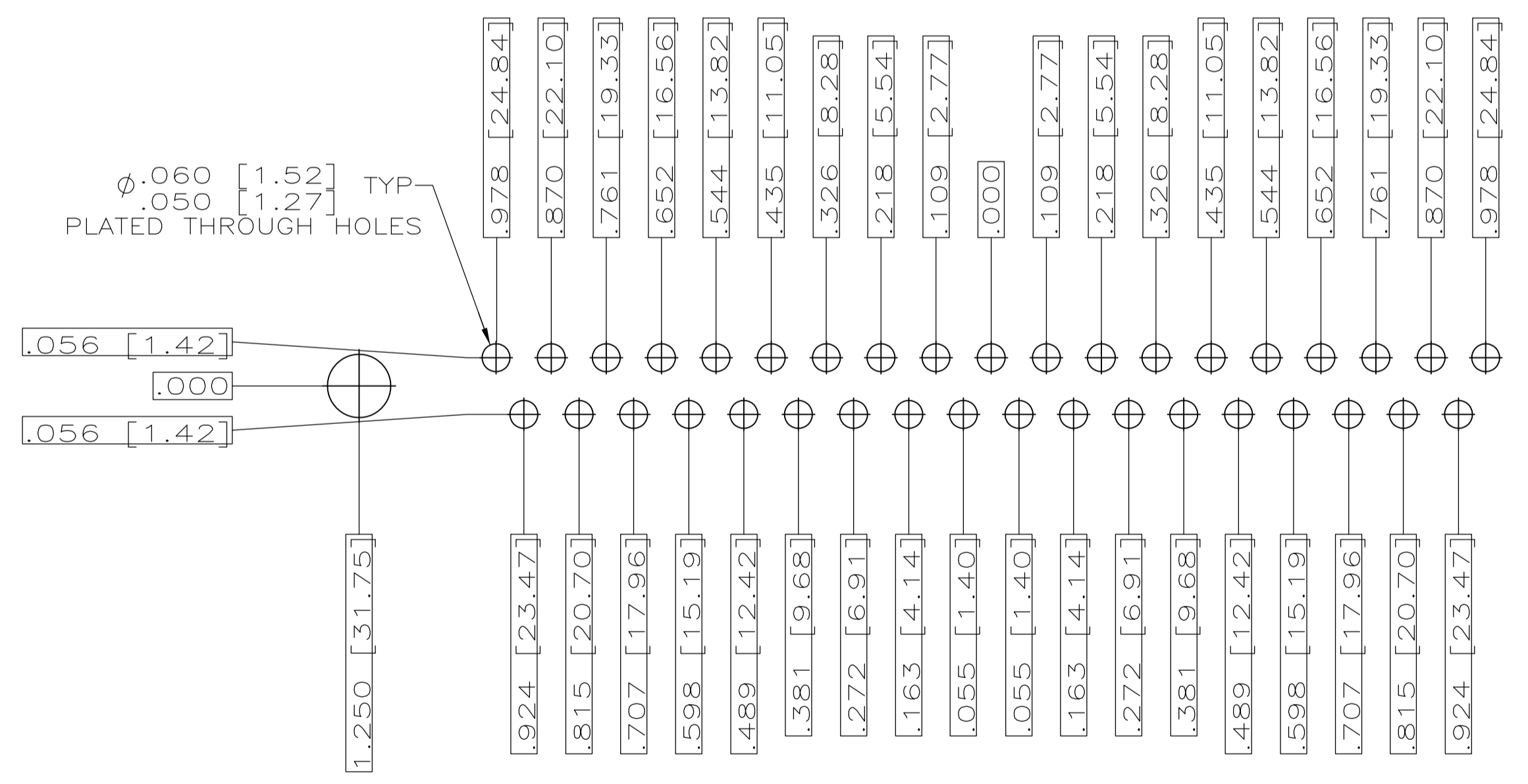
RECOMMENDED P.C. BOARD LAYOUT
SHELL SIZE 1 (9 POSITION) ⚠



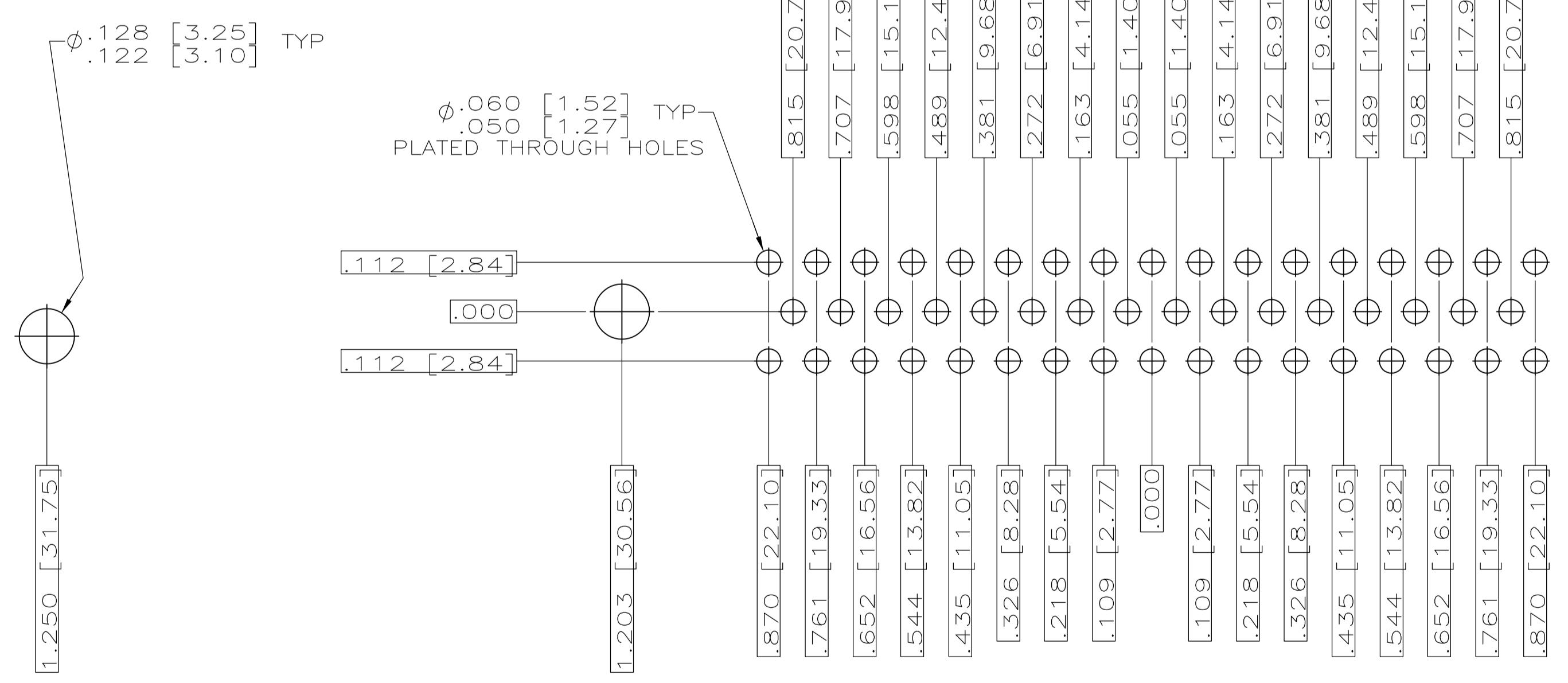
RECOMMENDED P.C. BOARD LAYOUT
SHELL SIZE 2 (15 POSITION) ⚠



RECOMMENDED P.C. BOARD LAYOUT
SHELL SIZE 3 (25 POSITION) ⚠



RECOMMENDED P.C. BOARD LAYOUT
SHELL SIZE 4 (37 POSITION) ⚠



RECOMMENDED P.C. BOARD LAYOUT
SHELL SIZE 5 (50 POSITION) ⚠

THIS DRAWING IS A CONTROLLED DOCUMENT.		DIN J.A.Baker 15MAY97	05MAY97	Tyco Electronics Corporation Harrisburg, PA 17105-3608
DIMENSIONS: INCHES		CHK G. OVER	15MAY98	
TOLERANCES UNLESS OTHERWISE SPECIFIED:		NAME		
0 PLC ± .005		PRODUCT SPEC		
1 PLC ± .005		APPLICATION SPEC		
2 PLC ± .005		SIZE		
3 PLC ± .005		SCALE		
4 PLC ± .005		SHEET		
FINISH		REV		
MATERIAL SEE CALLOUTS		CUSTOMER DRAWING		

X-ON Electronics

Largest Supplier of Electrical and Electronic Components

Click to view similar products for [D-Sub Standard Connectors](#) category:

Click to view products by [TE Connectivity](#) manufacturer:

Other Similar products are found below :

[DCM37S732N](#) [DAM15P500](#) [DEV09S364GTLF](#) [DEM09P032N](#) [DDM50P732N](#) [DAM15S332N](#) [173109-2218](#) [173109-2466](#) [173109-2469](#)
[173109-2435](#) [56F706-005-LI](#) [56F711-015](#) [015-0341-000](#) [017041-0005](#) [012-9507-114](#) [012-9534-001](#) [609-25P](#) [M24308/2-23Z](#) [M243082310F](#)
[M24308/2-36Z](#) [M243082411F](#) [M24308315F](#) [M24308/4-21](#) [M243084437F](#) [CT0M22-23SS](#) [CT1N36-5SC](#) [CT2-16S-17PS](#) [CT2-20-15PCAU](#)
[CT2-24-12PS](#) [CT2-24-28PSF127A206](#) [CT6F9767-14-4-14S-5PC](#) [CT7-18-10SC](#) [CT7-18-10SCAU](#) [CT7-18-12SCAU](#) [CT7-18-1PC](#) [CT7-18-](#)
[1PCAU](#) [CT7-18-1SC](#) [CT7-18-21SCAU](#) [CT9-16-12PS](#) [M83513/01-FC](#) [M83723/76W24619 L/C](#) [M85049/48-3-2F](#) [69001-865](#)
[6STD09PCM99B70X](#) [6STD09SCM99B30X](#) [6STD09SCT99S40X](#) [6STD15PCT99S40X](#) [6STD15SCM99B30X](#) [6STD15SCT99S40X](#)
[6STF09PCM05B70X](#)