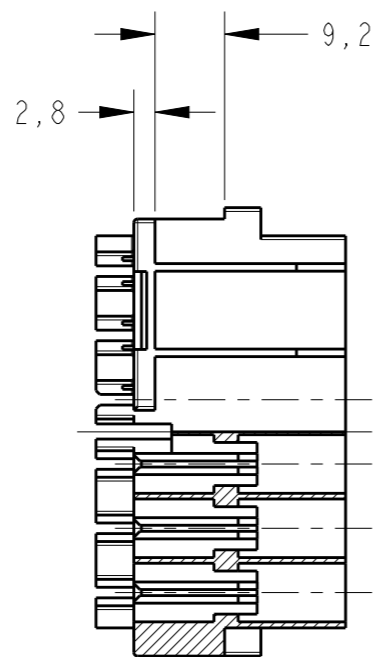
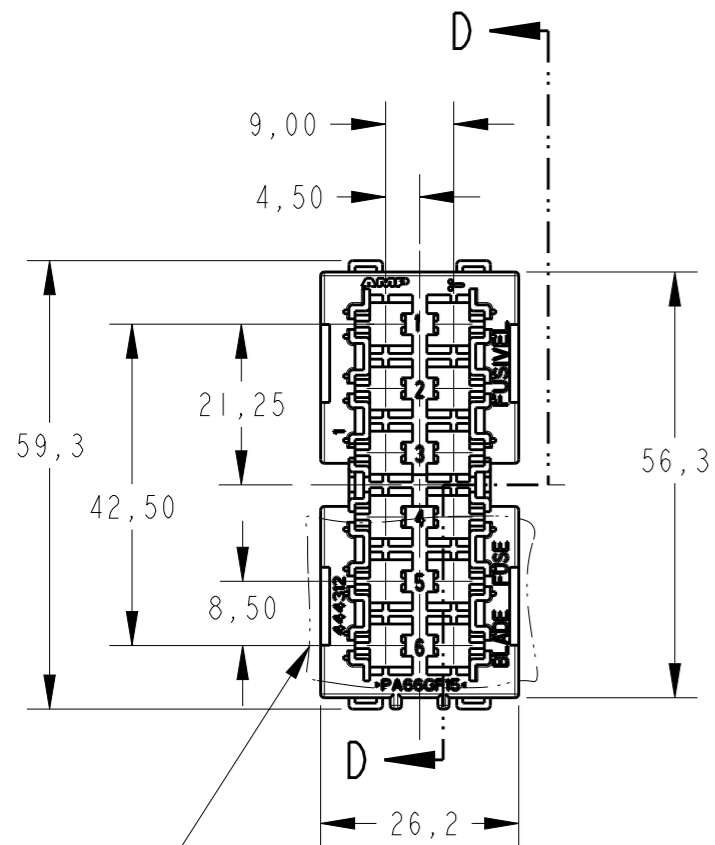
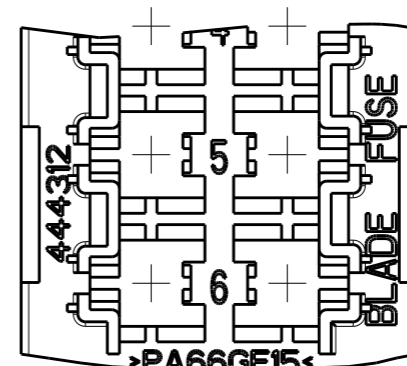
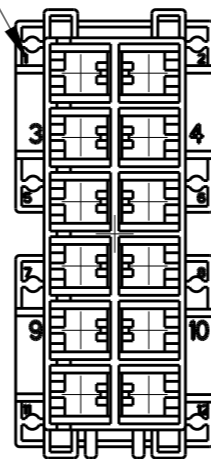


THIS DRAWING IS UNPUBLISHED. RELEASED FOR PUBLICATION
 © COPYRIGHT 19 BY - ALL RIGHTS RESERVED.

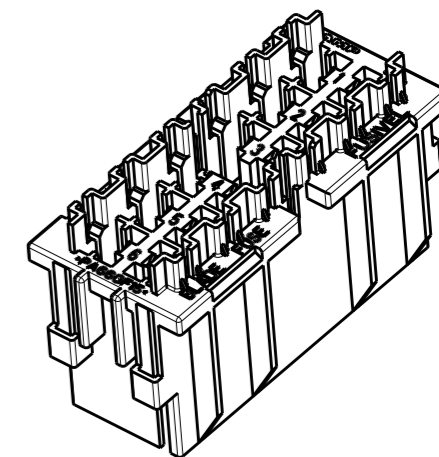
LOC	DIST	REVISIONS					
AP	-	P	LTR	DESCRIPTION	DATE	DWN	APVD
			A1	REVISED BY ECO-06-006673	18MAY2006	EGS	PLF
			B	REVISED DESIGN ECO-13-004522	01APR2013	NCL	BR



IDENTIFICACAO DE CIRCUITO
 CIRCUIT IDENTIFICATION

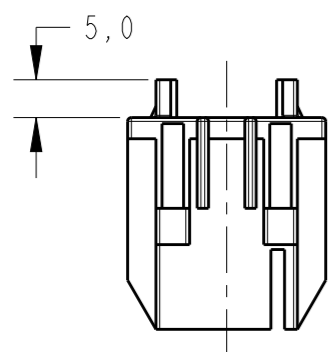


DETAIL X
 SCALE 2:1



PERSPECTIVE VIEW
 SCALE 1:1

SEE DETAIL X



GRAVAÇÃO MARKING
LOGOTIPO AMP AMP LOGO
CÓDIGO PAÍS PRODUTOR MANUFACTURER COUNTRY CODE
NOMENCLATURA MATERIAL MATERIAL NOMENCLATURE
NÚMERO COMPONENTE TE TE COMPONENT NUMBER

---	VIOLETA/VIOLET	PA 6.6+15% F.V / G.F	444312-9
---	CINZA/GRAY	PA 6.6+15% F.V / G.F	444312-8
---	VERDE/GREEN	PA 6.6+15% F.V / G.F	444312-7
---	BRANCO/WHITE	PA 6.6+15% F.V / G.F	444312-6
---	AZUL/BLUE	PA 6.6+15% F.V / G.F	444312-5
---	AMARELO/YELLOW	PA 6.6+15% F.V / G.F	444312-4
---	VERMELHO/RED	PA 6.6+15% F.V / G.F	444312-3
---	MARROM/BROWN	PA 6.6+15% F.V / G.F	444312-2
---	PRETO/BLACK	PA 6.6+15% F.V / G.F	444312-1
RAW MAT'L NO	FINISH	MATERIAL	PART NUMBER

1- CAVIDADES PARA TERMINAIS
 "FUSE CONTACT": 880397; 880398;
 880399 E "FUSE CONTACT BUSBAR"
 880490 E 880492.

1- CAVITIES FOR FUSE CONTACT
 TERMINAL: 880397; 880398
 880399 AND FUSE CONTACT
 BUSBAR 880490 AND 880492.

2- PRIMEIRO USO EM: "FUSE
 BOX FRAME" 444308.

2- FIRST USED ON: FUSE BOX
 FRAME 444308.

3- CONECTOR PARA FUSIVEL AMP
 688670 CONF. SAE-J1284.

3- CONNECTOR FOR BLADE FUSE
 AMP NO.688670 ACCORDING
 SAE-J1284.



THIS DRAWING IS A CONTROLLED DOCUMENT.

DIMENSIONS:	TOLERANCES UNLESS OTHERWISE SPECIFIED:
mm	
0 PLC	±°
1 PLC	±0,3
2 PLC	±°
3 PLC	±°
4 PLC	±°
ANGLES	±°
MATERIAL	FINISH
SEE TABLE	SEE TABLE

DWN	M.L. OGAWA	02SEP99
CHK	P.L. FARIA	05SEP99
APVD	L.G. DALTO	05SEP99
PRODUCT SPEC	-	-
APPLICATION SPEC	-	-
WEIGHT	-	-

TE Connectivity			
NAME			
HOUSING, 12 POSN. FUSE CONTACT			
SIZE	CAGE CODE	DRAWING NO	RESTRICTED TO
A3	00779	444312	-

Customer Drawing SCALE SHEET OF REV B

X-ON Electronics

Largest Supplier of Electrical and Electronic Components

Click to view similar products for [Automotive Connectors](#) category:

Click to view products by [TE Connectivity](#) manufacturer:

Other Similar products are found below :

[003-018-000](#) [60403001](#) [60993906-B](#) [M902-2131](#) [M902-2161](#) [72.330.1035.1](#) [73.353.4028.0](#) [F119300-B](#) [F166900](#) [F258300-B](#) [F358300-B](#)
[F407400](#) [F444110](#) [F487000](#) [F509500B-B](#) [827153-1](#) [8N1515-32-24P](#) [9-1326729-8](#) [925474-1](#) [928905-1](#) [964562-4](#) [968782-1](#) [GT17SA-8DS-](#)
[HU](#) [98891-1012](#) [98947-1016](#) [12004147](#) [12004475-L](#) [12010290](#) [12010309-B](#) [12015454](#) [12020219-B](#) [12020308](#) [12041318-B](#) [12052225-L](#)
[12052466](#) [12059125](#) [12064869](#) [12004327-B](#) [12010503-B](#) [12015308](#) [12015384](#) [12015909](#) [1-21030-1](#) [12041254](#) [12041318](#) [12047946-B](#)
[12047957](#) [12047957-L](#) [12059473](#) [12066261](#)