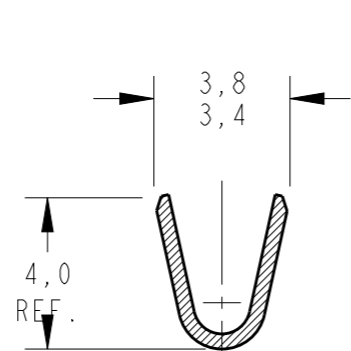
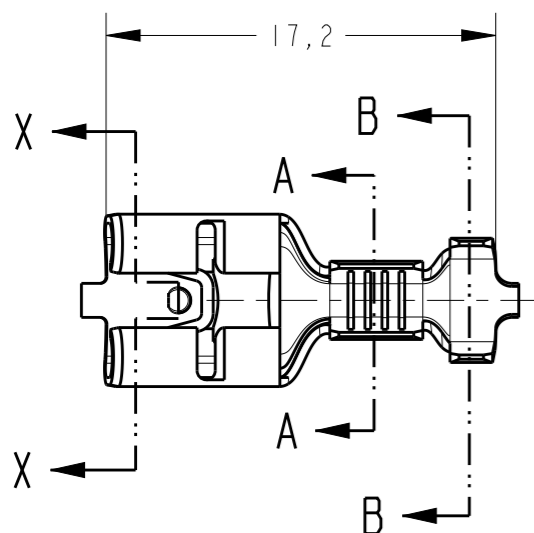


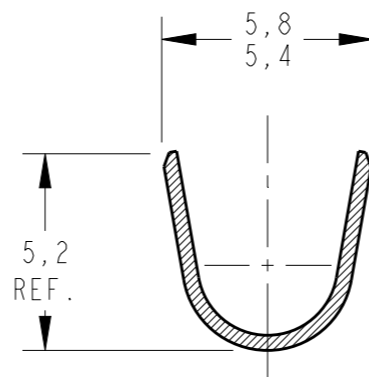
LOC AP DIST -

REVISIONS

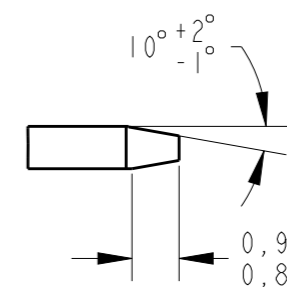
P	LTR	DESCRIPTION	DATE	DWN	APVD
	D5	REV. BY ECO-18-010173	27JUNE2018	HC	WLS



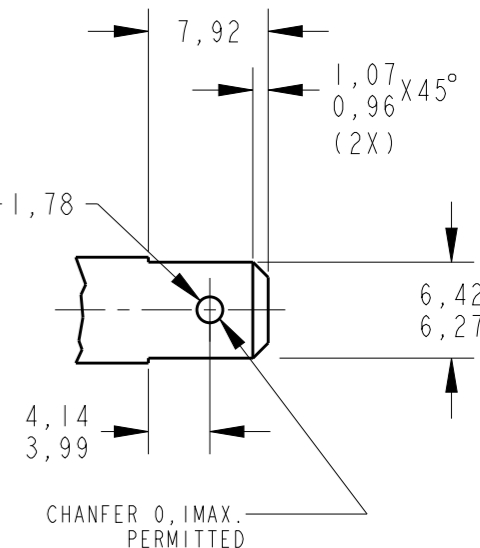
SECTION A-A SCALE 5:1



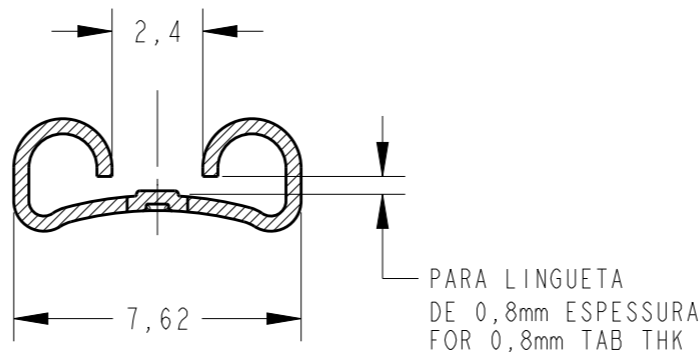
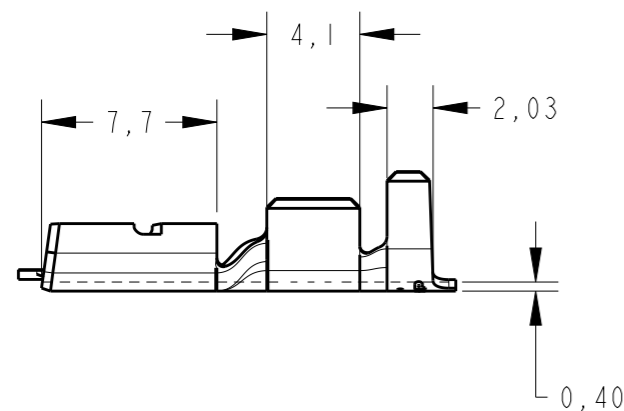
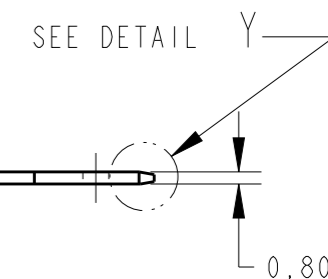
SECTION B-B SCALE 5:1



DETAIL Y SCALE 7:1



TEST TAB BR-6-058-1 MATERIAL: AÇO RÁPIDO



SECTION X-X SCALE 5:1

ESTANHADO / TIN PLATED	LATÃO / BRASS	444335 -4
—	LATÃO / BRASS	444335 -3
ESTANHADO / TIN PLATED	LATÃO / BRASS	444335 -2
—	LATÃO / BRASS	444335 -1
FINISH	MATERIAL	PART NUMBER

INS. RANGE	WIRE RANGE
∅ 3,0-4,3mm	1,0-2,5mm ²

THIS DRAWING IS A CONTROLLED DOCUMENT.

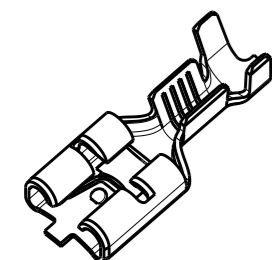
DIMENSIONS:	TOLERANCES UNLESS OTHERWISE SPECIFIED:
mm	
	0 PLC ±0,3
	1 PLC ±
	2 PLC ±
	3 PLC ±
	4 PLC ±
ANGLES	±1°

MATERIAL - FINISH -

DWN	12JUL2012
NCLAPRESA	
CHK	12JUL2012
JRGOLDSCHMIDT	
APVD	12JUL2012
DAOLIVEIRA	
PRODUCT SPEC	108-37034
APPLICATION SPEC	-
WEIGHT	-

		TE Connectivity	
		NAME -	
-		TERMINAL FASTON 6,35 RECEPT	
SIZE	CAGE CODE	DRAWING NO	RESTRICTED TO
A3	00779	©-444335	-

PART NUMBER	1° INSERÇÃO MÁX. (N)	1° EXTRAÇÃO MIN. (N)	10° EXTRAÇÃO MIN. (N)
444335 -1	40	50	20
444335 -2	40	50	20
444335 -3	40	70	20
444335 -4	40	70	20



PERSPECTIVE VIEW SCALE 2:1

X-ON Electronics

Largest Supplier of Electrical and Electronic Components

Click to view similar products for [Terminals category](#):

Click to view products by [TE Connectivity manufacturer](#):

Other Similar products are found below :

[00-054007-01074-6](#) [00-054007-70206-1](#) [00-054007-70210-8](#) [00-054007-70217-7](#) [00-054007-70228-3](#) [00-054007-70256-6](#) [00-054007-70316-7](#) [00-054007-49560-4](#) [00-054007-70209-2](#) [00-054007-70231-3](#) [00-054007-70241-2](#) [00-054007-70242-9](#) [00-054007-70246-7](#) [00-054007-70263-4](#) [00-054007-70288-7](#) [00-054007-70290-0](#) [00-054007-70300-6](#) [00-054007-70304-4](#) [01-2900-1-04412](#) [00581P0075](#) [600TS-10](#) [605601-1](#) [60598-1-CUT-TAPE](#) [60617-1-C](#) [61314-6-C](#) [61810-3](#) [62149-1](#) [626-0194](#) [63-S](#) [M55155/059I03](#) [M55155/079C01](#) [M55155/099B03](#) [M55155/099H02](#) [M55155/109H01](#) [M55155/12XH05](#) [M55155/29XJ08](#) [M55155/30-6S](#) [M55155/30-9S](#) [M55155/30XI09](#) [M6-14RSX](#) [696683-1](#) [696861-1](#) [696999-1](#) [M86700006](#) [D18-110B-C](#) [D18-110B-M](#) [701-1936](#) [701-1955](#) [701-2003](#) [701-2007](#)