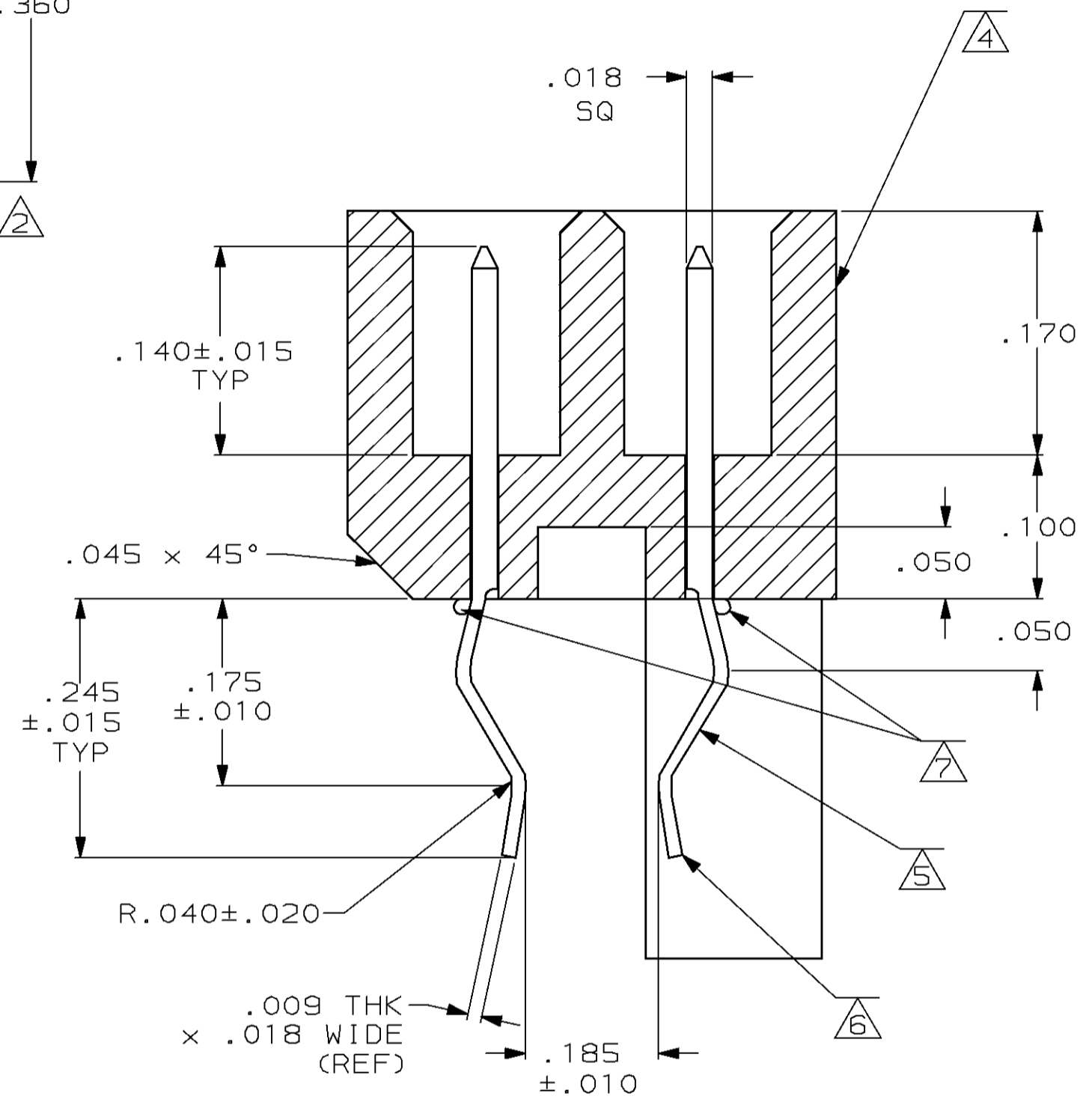
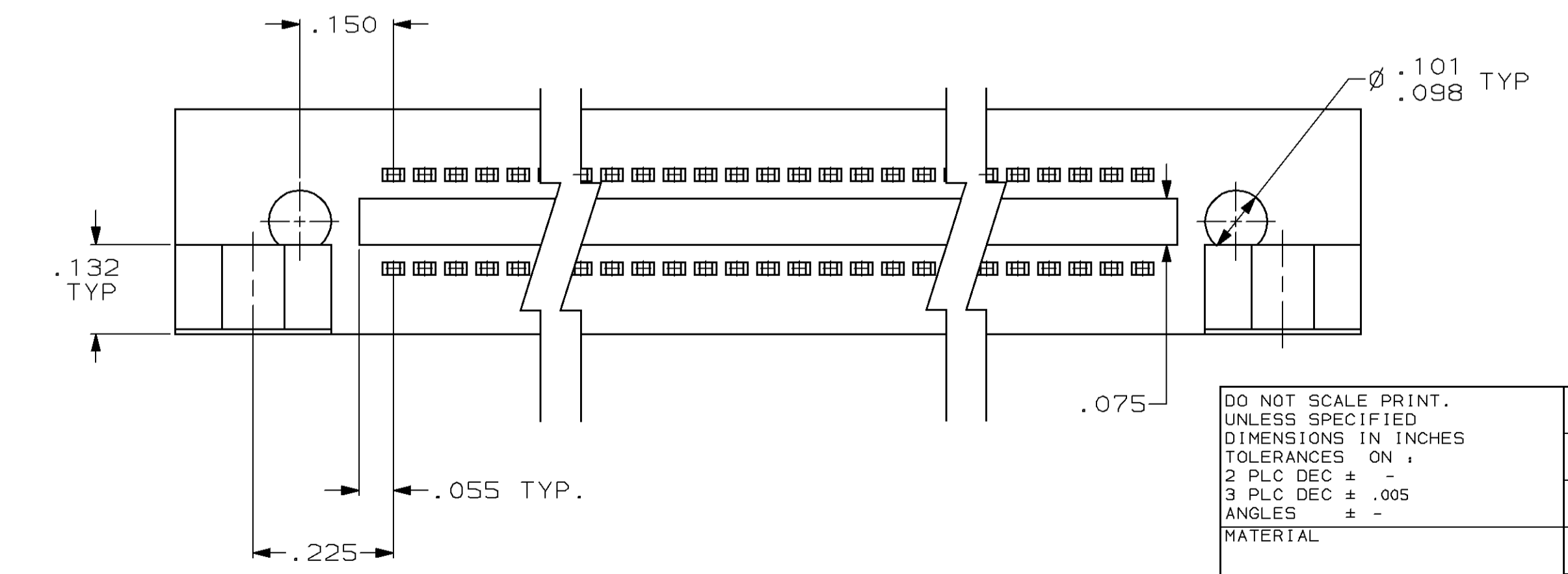
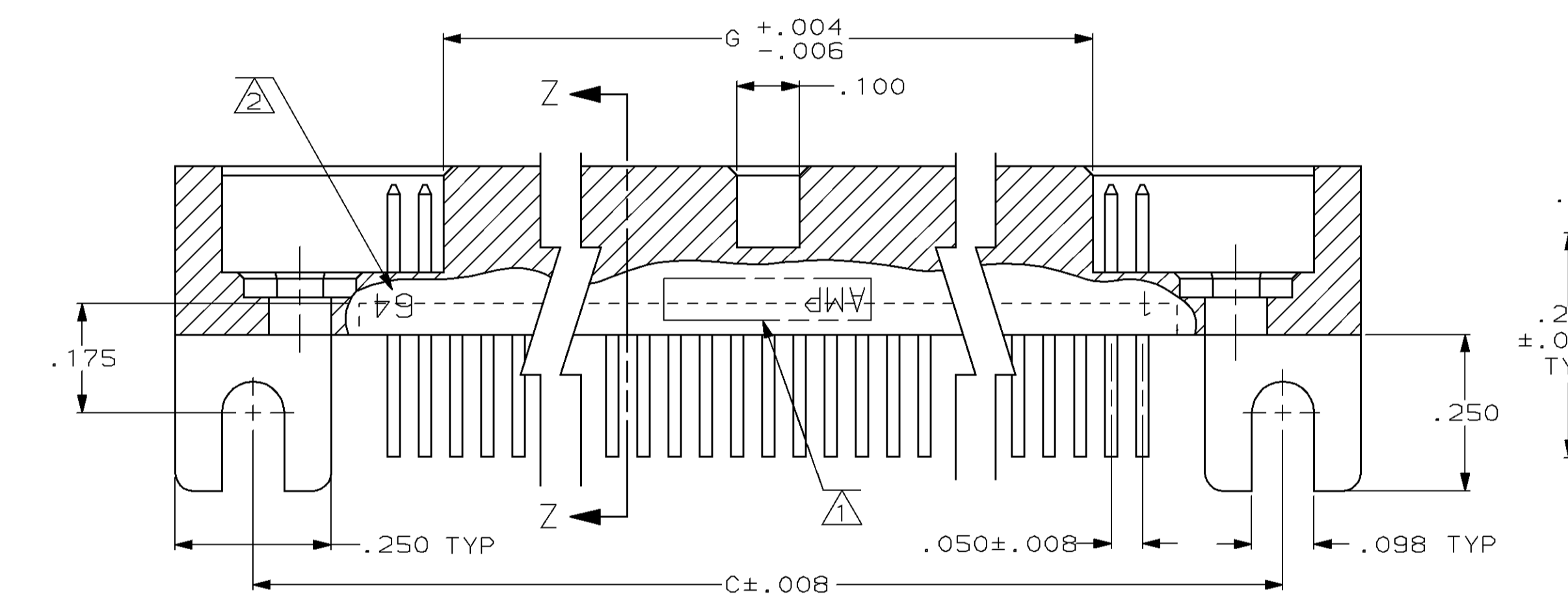
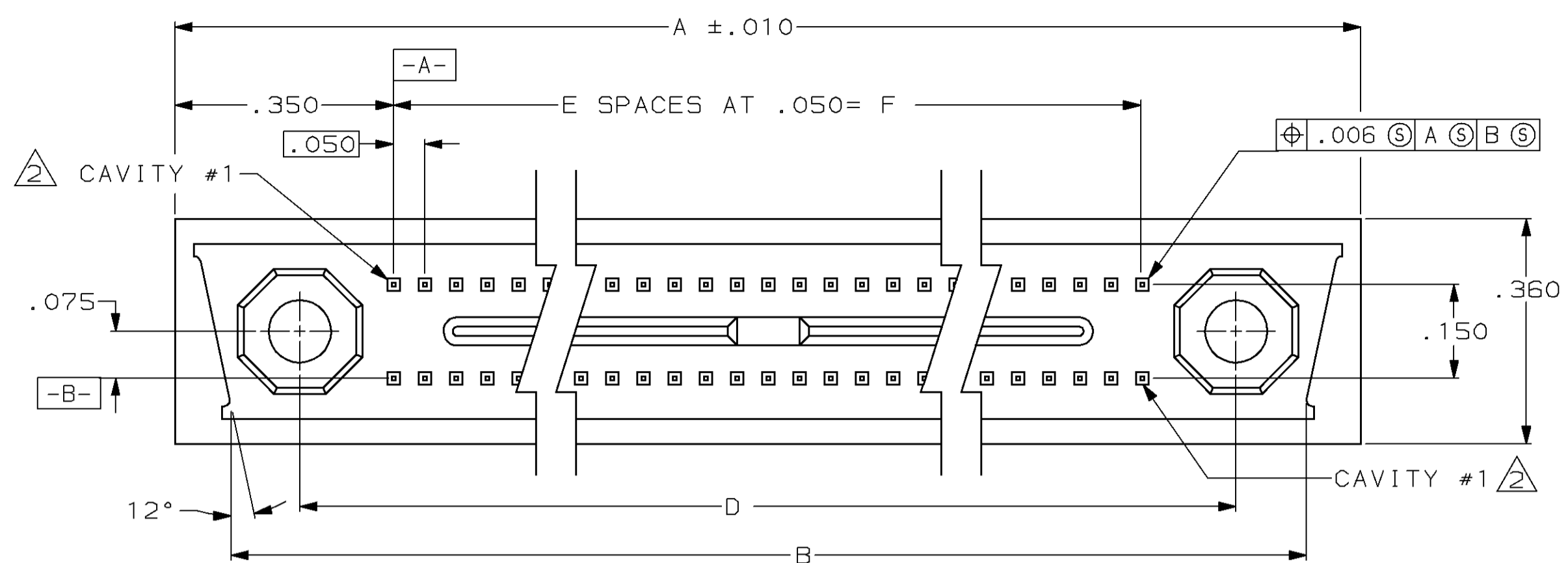


PROD CODE	LOC	DIST	P	F	REVISIONS				
					ZONE	LTR	DESCRIPTION	DATE	APPD
5367	DF	FO			F	REV PER 0600-6348-97	CT	9-97	DG



DO NOT SCALE PRINT.
 UNLESS SPECIFIED
 DIMENSIONS IN INCHES
 TOLERANCES ON :
 2 PLC DEC ± -
 3 PLC DEC ± .005
 ANGLES ± -
 MATERIAL
 SEE SHEET 2
 FINISH
 SEE SHEET 2

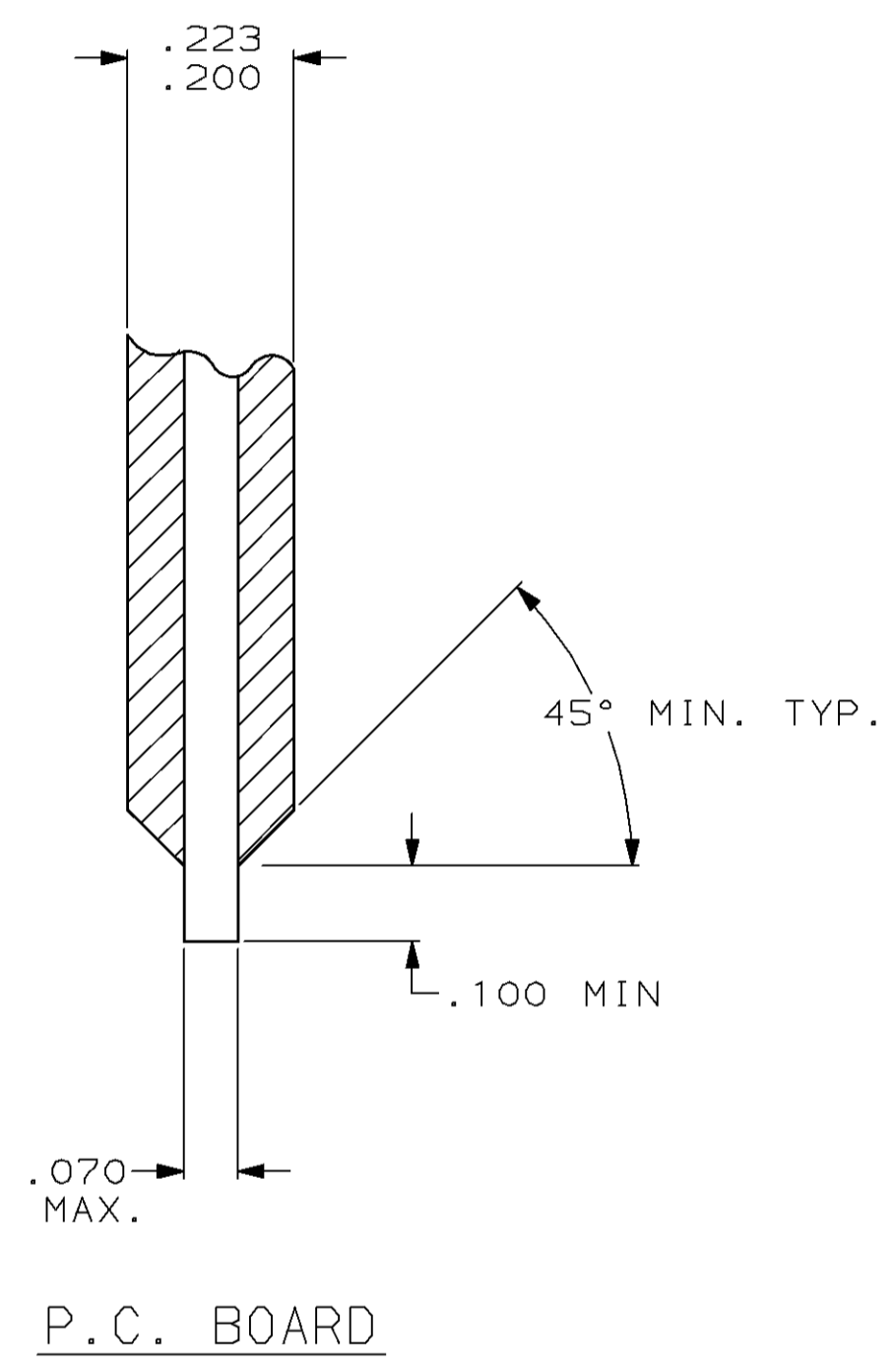
DR 6-14-89 T.WIEST	AMP INCORPORATED Harrisburg, Pa. 17105
CHK 8-16-89 D.STONER	
APPD 8-16-89 D.STONER	NAME
APPD 8-16-89 D.STONER	PIN HEADER ASSY, MINI BOX, SHROUDED, CARD EXTENDER, FOR .200-.223 THK. PCB
PRODUCT SPEC	SIZE
APPLICATION SPEC	FSCM NO C 00779
WEIGHT -	DRAWING NO 445500
	SCALE 4:1
	SHEET 1 of 2

AMP INCORPORATED Harrisburg, Pa. 17105	
NAME PIN HEADER ASSY, MINI BOX, SHROUDED, CARD EXTENDER, FOR .200-.223 THK. PCB	
SIZE	FSCM NO
C 00779	DRAWING NO
	445500
SCALE 4:1	SHEET 1 of 2

THIS DRAWING IS UNPUBLISHED. RELEASED FOR PUBLICATION, 19 .
 © COPYRIGHT 19 BY AMP INCORPORATED. ALL INTERNATIONAL RIGHTS RESERVED.

Loc	DIST	P	F	ZONE	LTR	DESCRIPTION	DATE	APPD
DF	FO				F	SEE SHEET ONE	-	-

- ① "AMP", AMP PART NUMBER, AND DATE CODE MARKED IN THIS AREA.
- ② NUMBERS INDICATING END POSITIONS MARKED THIS SIDE 64 AND 1, OPPOSITE SIDE 1 & 64.
- 3. INSPECTED PER MIL-C-55302, GROUPS A AND B.
- ④ HOUSING MATERIAL: LIQUID CRYSTAL POLYMER PER MIL-M-24519, GLCP-30F; COLOR: GRAY.
- ⑤ CONTACT MATERIAL: BRASS
- ⑥ CONTACT FINISH: .000050 GOLD IN CONTACT AREA, NICKEL UNDERPLATE ALL OVER, TAILS DIPPED BY AMP FOR SOLDERING.
- ⑦ EPOXY ADDED TO BOTTOM WHERE CONTACT TAILS EXIT FROM THE HOUSING.



717801112-005	④	1-64	2.990	3.150	63	3.450	3.600	3.670	3.850	128	-1		
CUSTOMER P/N	HSG MAT'L	②	G	F	E	D	C	B	A	NO. OF POSN	PART NO		
DO NOT SCALE PRINT. UNLESS SPECIFIED DIMENSIONS IN INCHES TOLERANCES ON : 2 PLC DEC ± - 3 PLC DEC ± .005 ANGLES ± -			DR 6-14-89 T. WIEST			AMP INCORPORATED Harrisburg, Pa. 17105							
MATERIAL SEE NOTES			CHK 8-16-89 D. STONER									NAME PIN HEADER ASSY' MINI-BOX, SHROUDED, CARD EXTENDER, FOR .200-.223 THK PCB	
FINISH SEE NOTES			APPD 8-16-89 D. STONER			PRODUCT SPEC -			SIZE C			DRAWING NO 445500	
			APPLICATION SPEC -			SCALE 4:1			FSCM NO 00779			SHEET 2 of 2	
			WEIGHT -										

X-ON Electronics

Largest Supplier of Electrical and Electronic Components

Click to view similar products for [Headers & Wire Housings](#) category:

Click to view products by [TE Connectivity](#) manufacturer:

Other Similar products are found below :

[95000-104TRLF](#) [10135584-644402LF](#) [DF62W-EP2022PCA](#) [95000-106TRLF](#) [DF62W-2022SCA](#) [DF62W-EP2022PC](#) [2203348](#) [DF62W-2022SC](#) [1084018](#) [1029039](#) [1084017](#) [802-10-012-10-002000](#) [1112640](#) [1112639](#) [891-007-9SS-BST1T](#) [000-34000](#) [0008550134](#) [0009482033](#) [0009507031](#) [57102-F02-18ULF](#) [57102-S06-03LF](#) [57202-S52-04LF](#) [PCN6-15S-2.5E](#) [0039019024](#) [58102-G61-06LF](#) [582553-1](#) [0009485154](#) [0009508121](#) [0022285053](#) [0050291907](#) [018731A](#) [LY20-4P-DT1-P1E-BR](#) [02.125.8002.8](#) [60101931](#) [60598-1 \(Cut Strip\)](#) [M1625-3R/100](#) [61062-3](#) [61082-181009](#) [CSU011177004](#) [636-1427](#) [638009-1](#) [641938-9](#) [641991-4](#) [644168-1](#) [644827-2](#) [647662-1](#) [65039-019ELF](#) [65692-001LF](#) [65781-018](#) [65781-047](#)