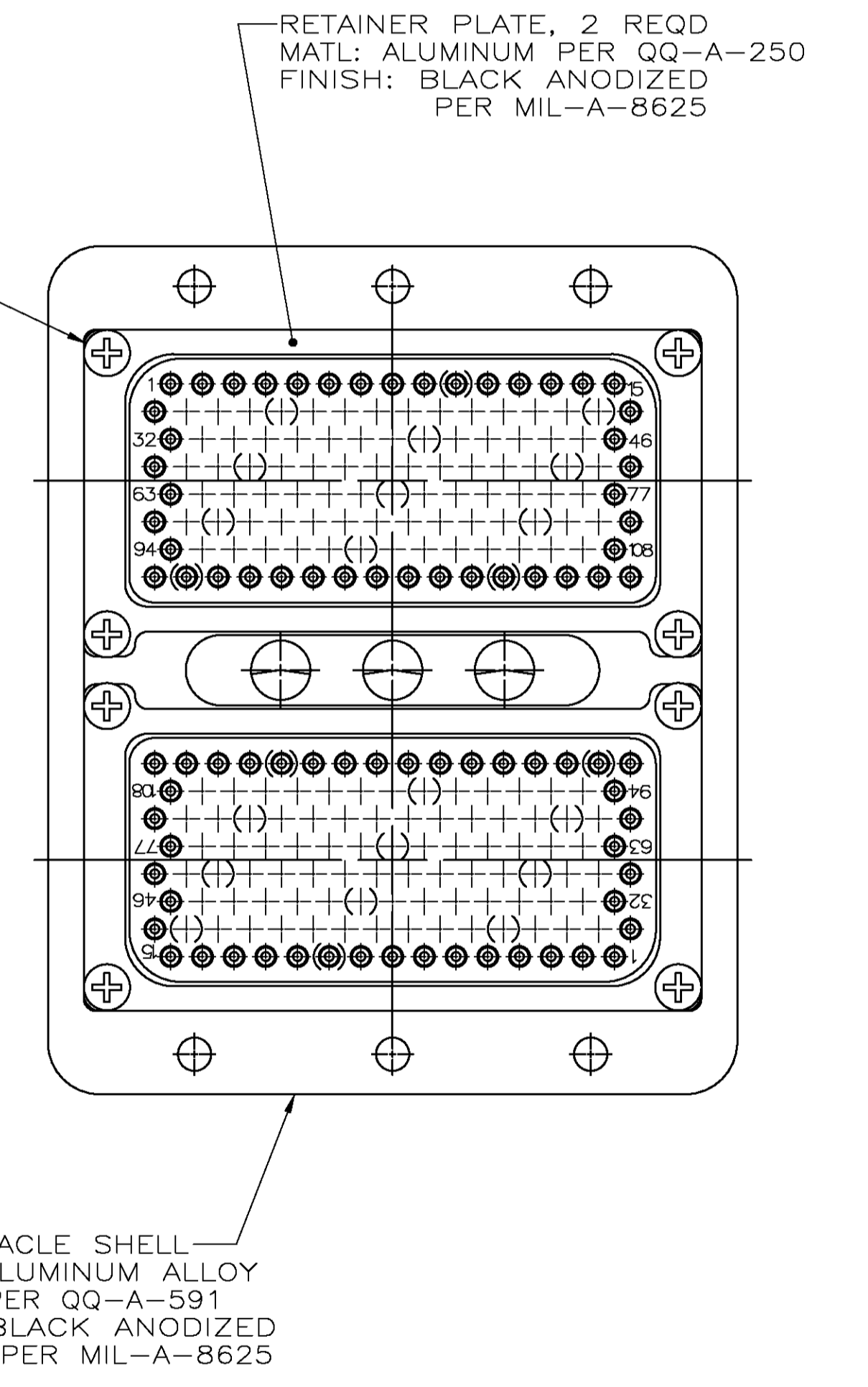
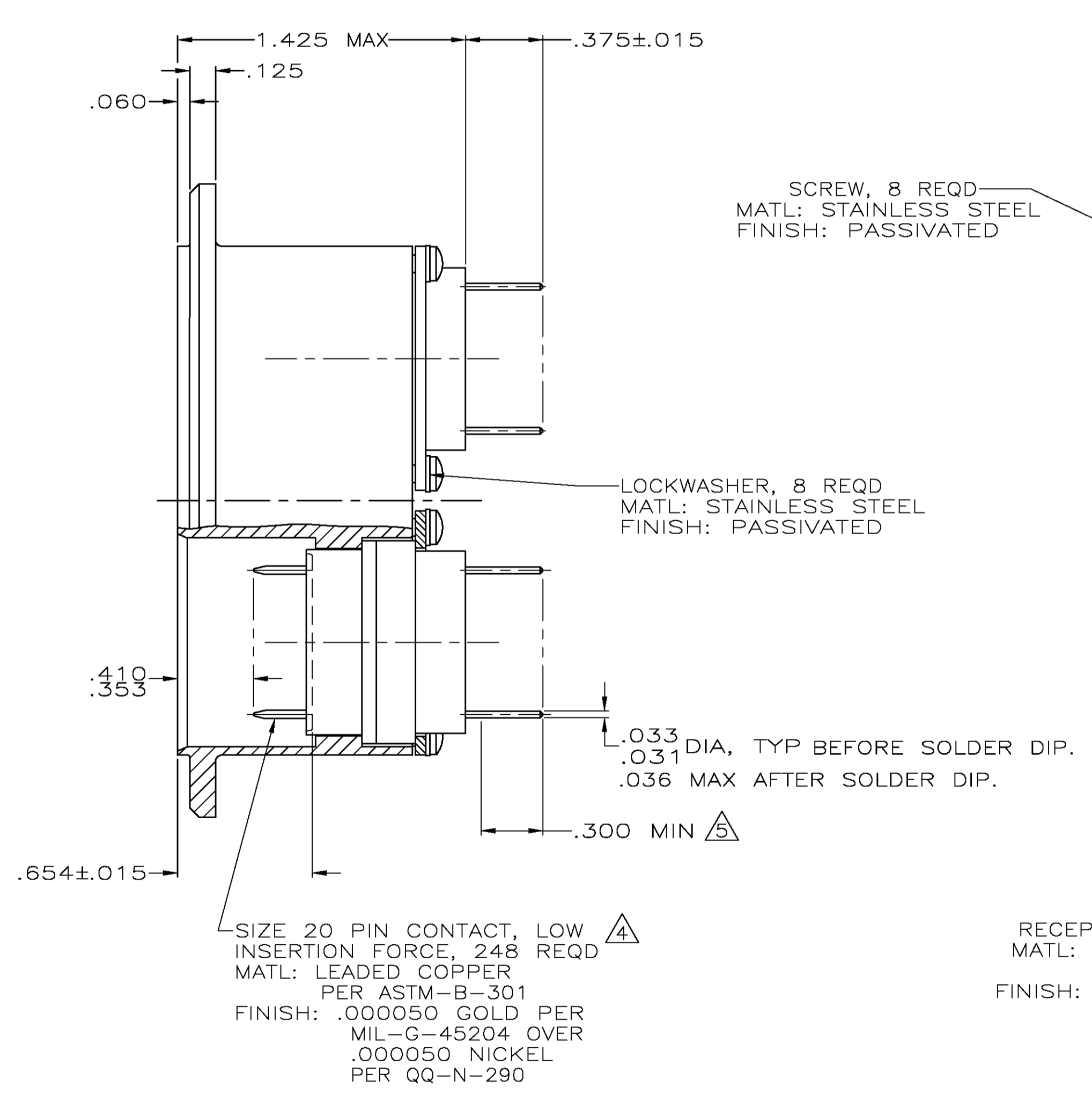
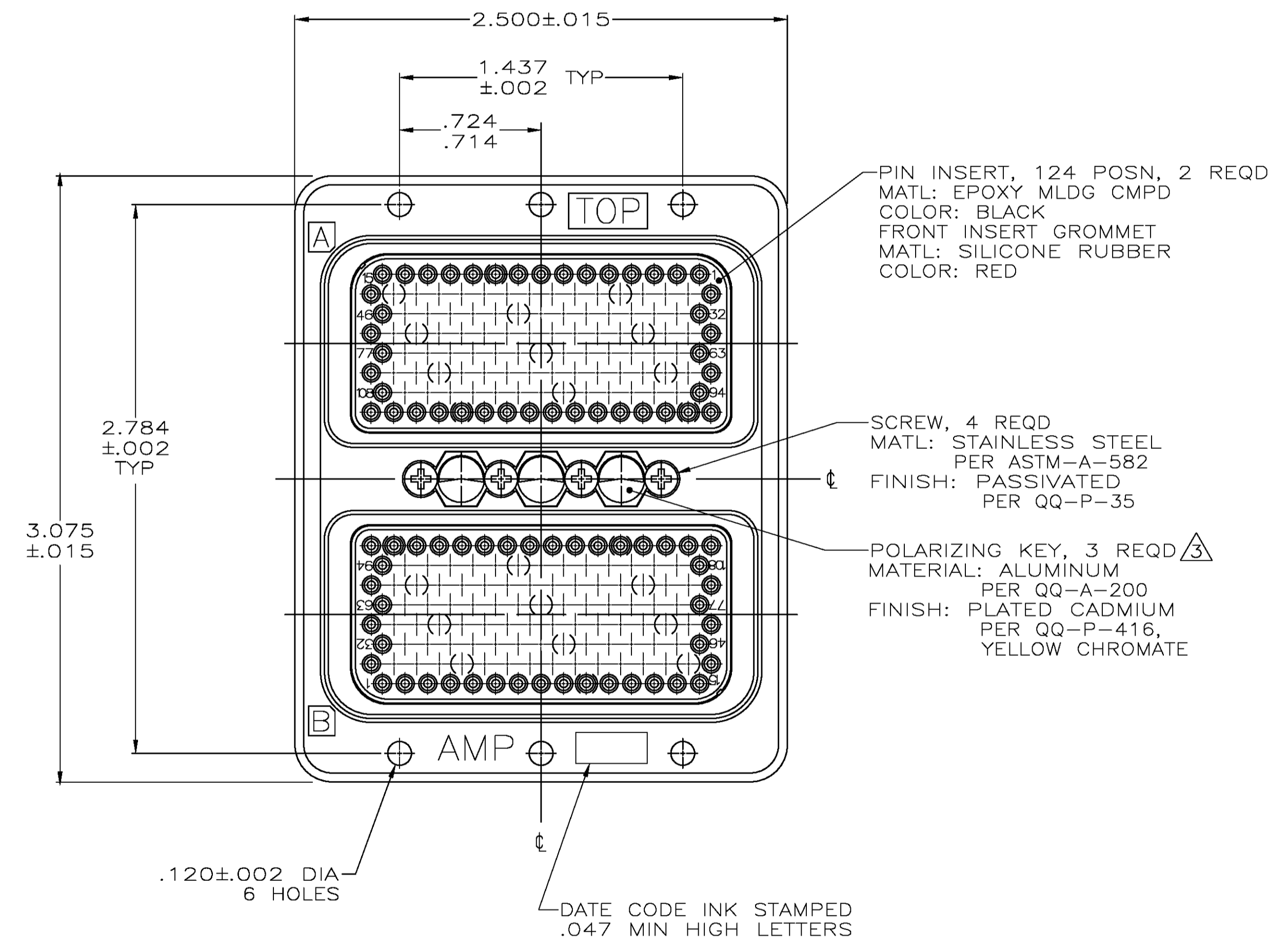
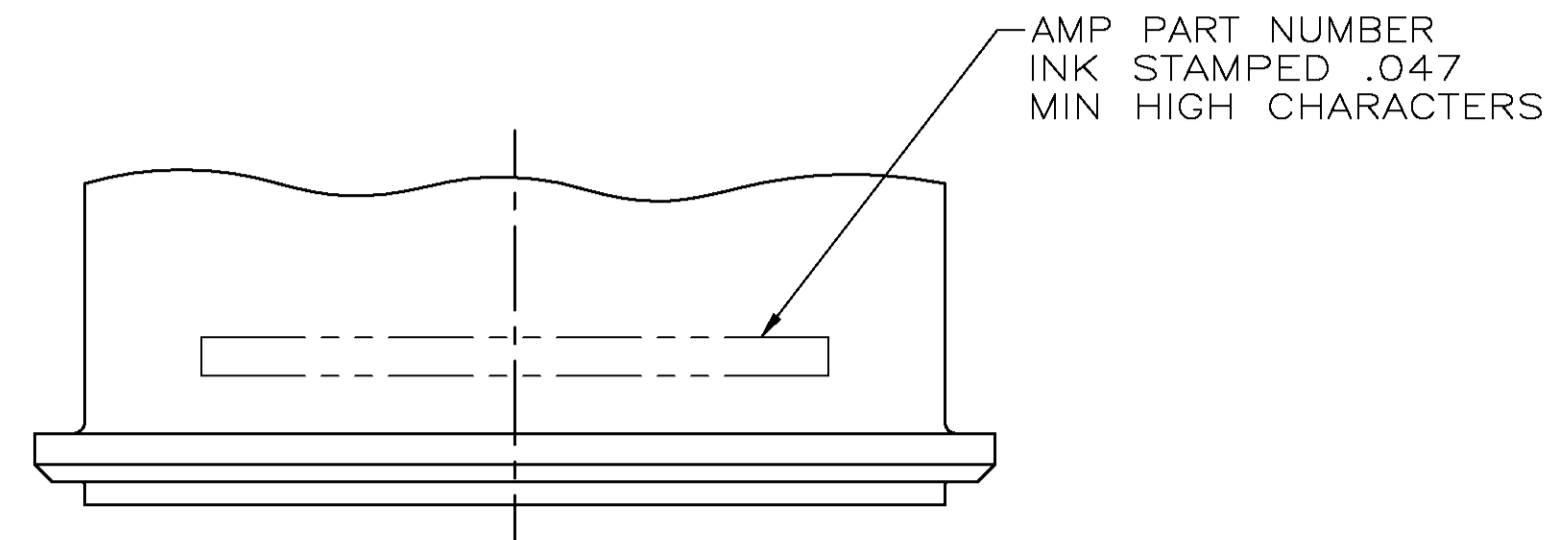


REVISIONS				
P	LTR	DESCRIPTION	DATE	DMN APVD
C		REV PER ECO 17-008102	7-19-17	CT EO

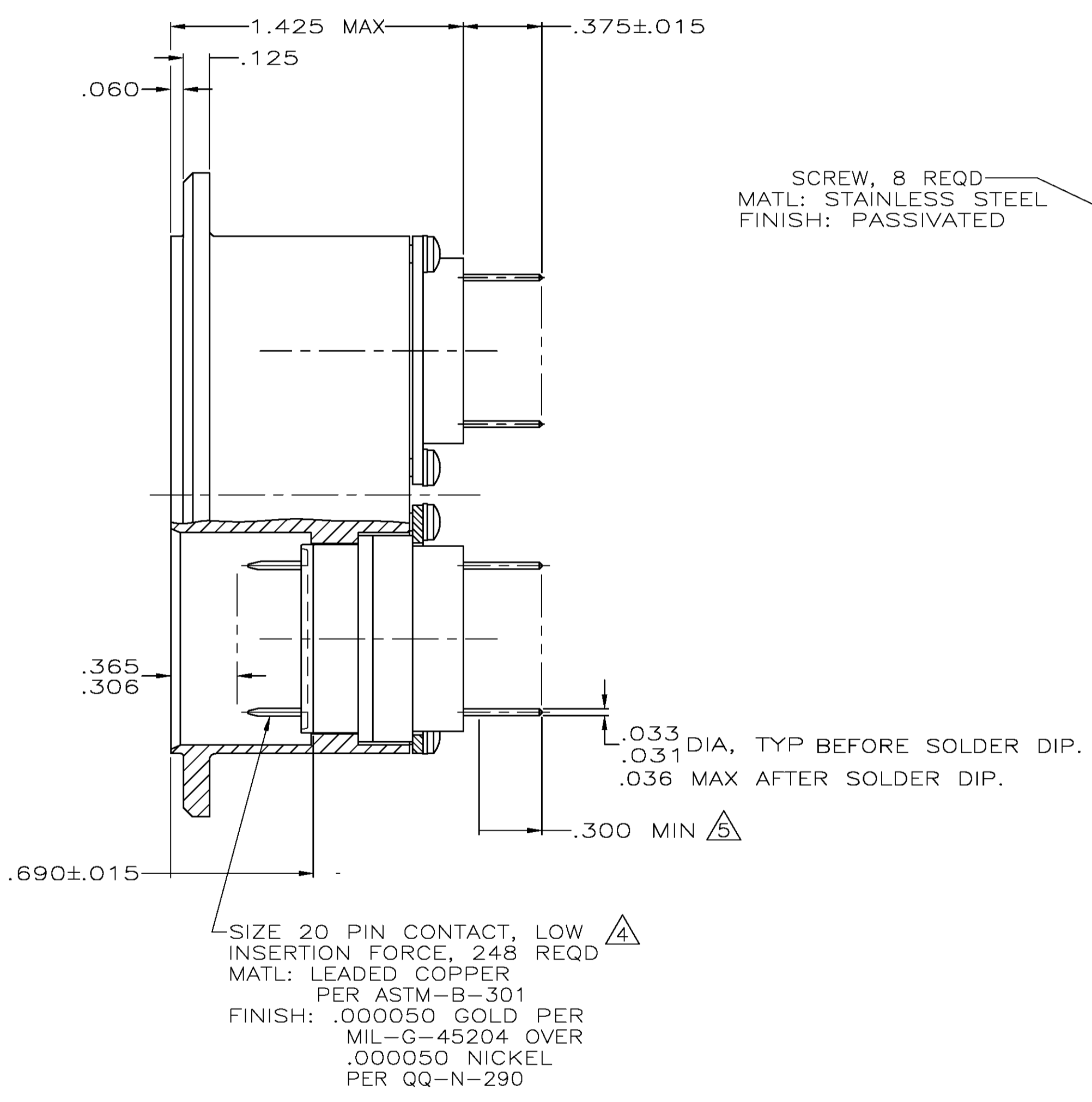
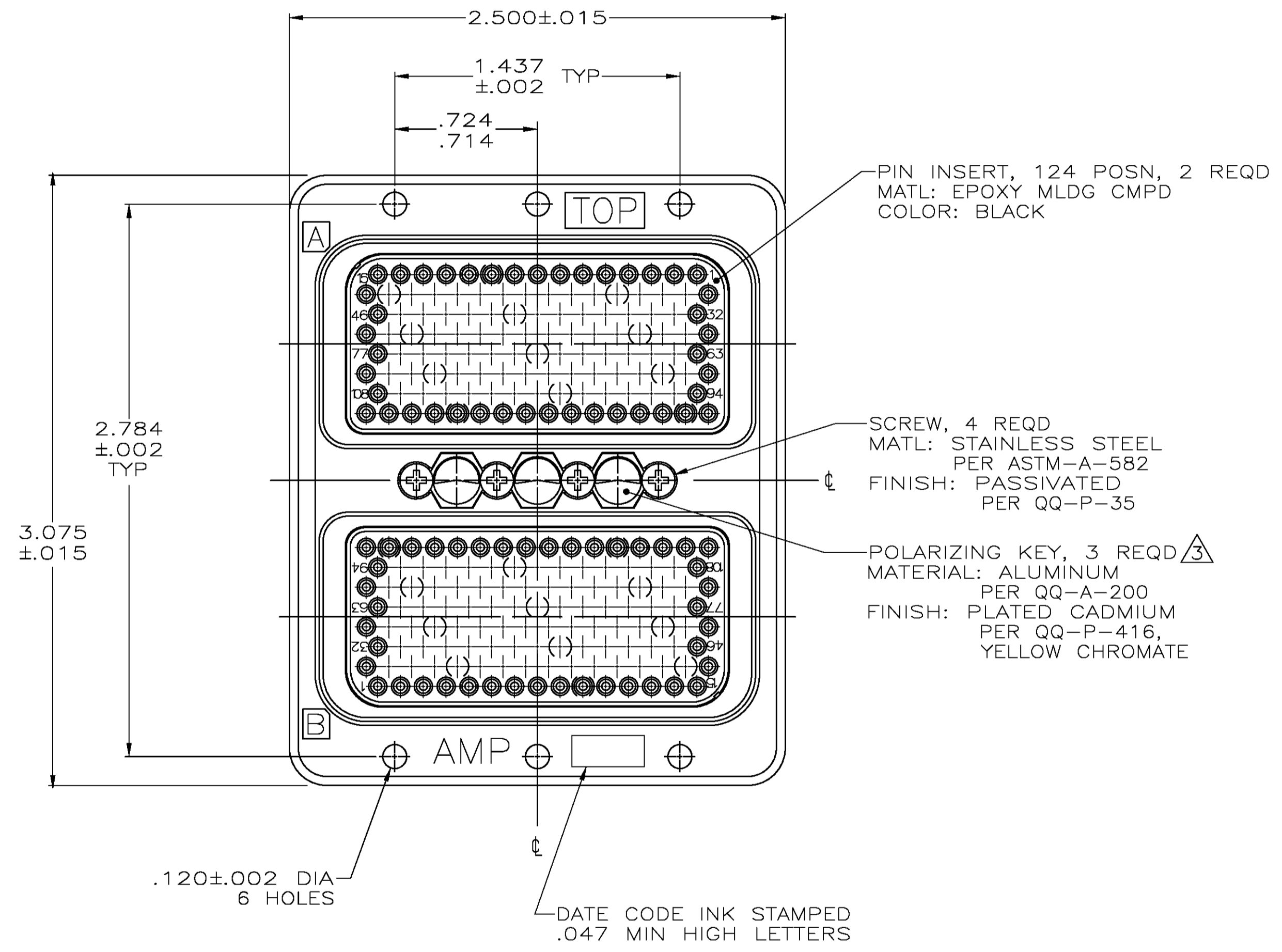
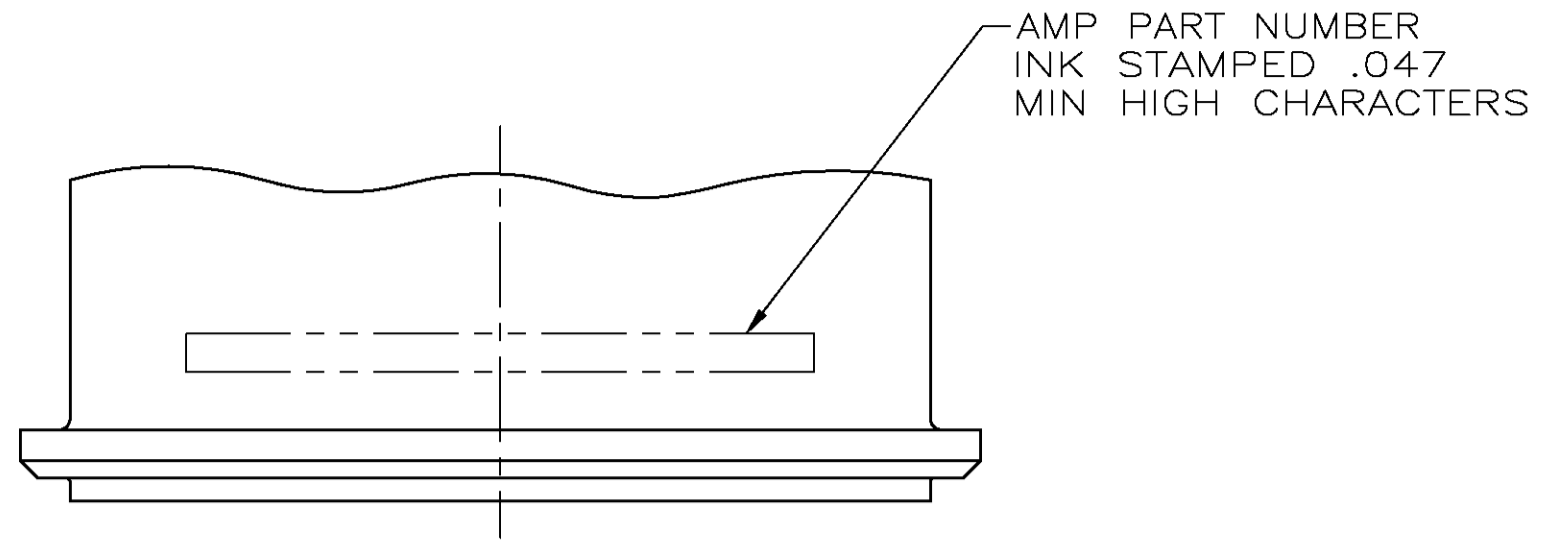


- THIS CONNECTOR MEETS ALL APPLICABLE SPECIFICATIONS OF MIL-C-81659.
- CONTACTS ARE RELEASED AND REMOVED FROM FRONT (MATING FACE) OF CONNECTOR.
- Δ POLARIZING KEYS ARE ASSEMBLED IN POSITION 01.
- Δ REPLACEMENT SOLDER DIPPED PIN CONTACT PART NUMBER IS 445544-3.
- Δ CONTACT TAILS ARE SOLDER DIPPED OVER THIS LENGTH.
- Δ REPLACEMENT SOLDER DIPPED PIN CONTACT PART NUMBER IS 445914-3.
- Δ 445531-3 IS VAPOR PHASE SOLDERABLE.

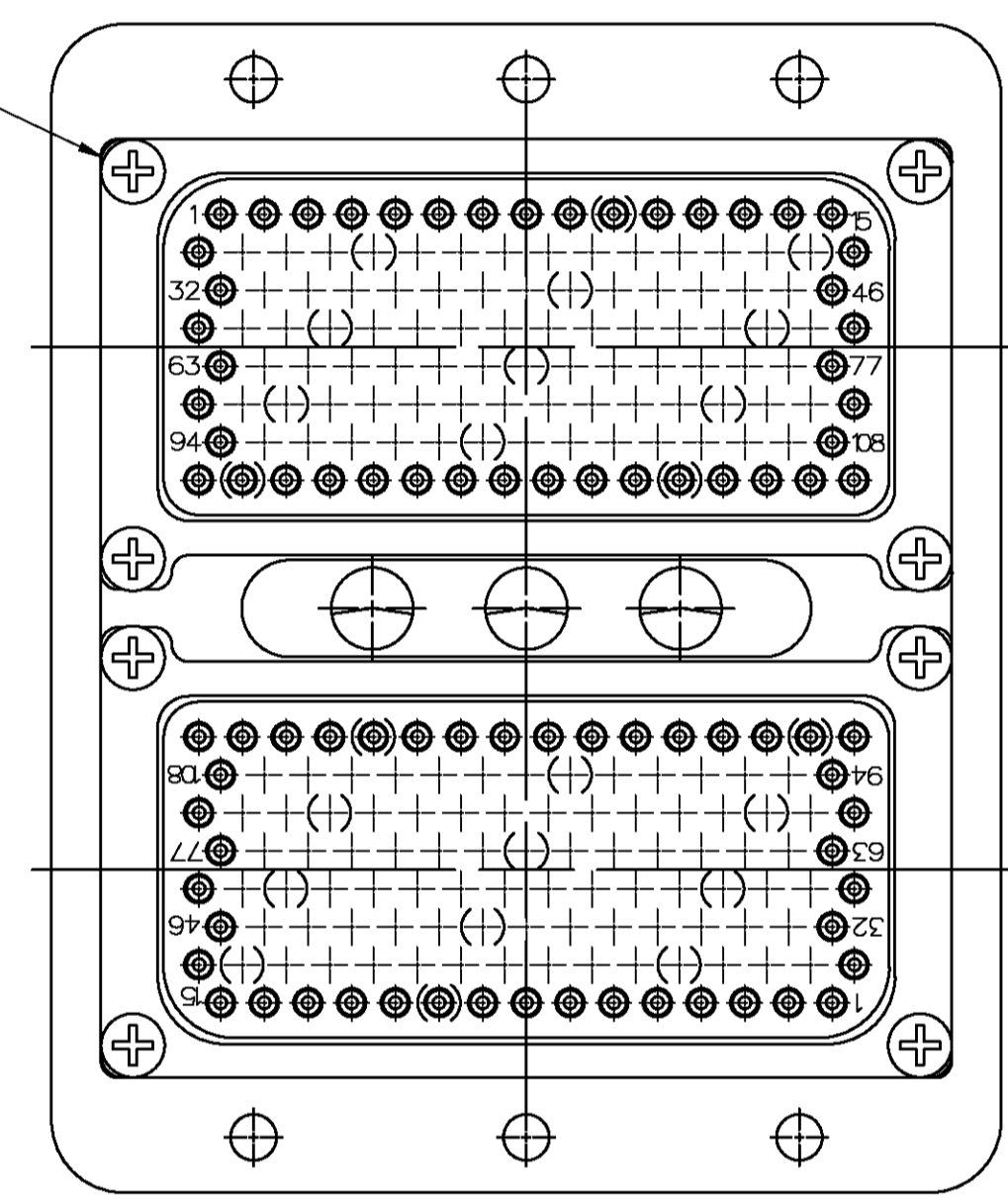
SEE SHEET #2	Δ 445531-3
OBsolete AS SHOWN; SHEET #1	445531-1
DESCRIPTION	PART NO

THIS DRAWING IS A CONTROLLED DOCUMENT.		DMN B.YOHN 8-25-88	APVD B.YOHN 8-25-88	NAME	RESTRICTED TO
DIMENSIONS: INCHES	TOLERANCES UNLESS OTHERWISE SPECIFIED:	PRODUCT SPEC		DUAL RECEPTACLE CONNECTOR ASSEMBLY, ARINC 404, SIMILAR TO AD2R124P124P-6001	
	0 PLC ± -	APPLICATION SPEC		SIZE	RESTRICTED TO
	1 PLC ± -	WEIGHT		CAGE CODE	DRAWING NO
	2 PLC ± -	CUSTOMER DRAWING		A1	00779
	3 PLC ± .005	SCALE		2:1	
	4 PLC ± -	SHEET		1 of 2	
	ANGLES ± -	REV		C	

REVISIONS				
P	LTR	DESCRIPTION	DATE	APVD
-	-	SEE SHEET 1	-	-



SCREW, 8 REQD
 MATL: STAINLESS STEEL
 FINISH: PASSIVATED



AS SHOWN SHEET #2	445531-3
SEE SHEET #1	445531-1
DESCRIPTION	PART NO

THIS DRAWING IS A CONTROLLED DOCUMENT.

DIMENSIONS: INCHES	TOLERANCES UNLESS OTHERWISE SPECIFIED:	DIN 8-25-88	BYOHN
0 PLC ± -	1 PLC ± -	2 PLC ± -	3 PLC ± .005
4 PLC ± -	ANGLES ± -	FINISH SEE CALLOUTS	SEE CALLOUTS

APVD	BYOHN	8-25-88
NAME	DUAL RECEPTACLE CONNECTOR ASSEMBLY, ARINC 404, SIMILAR TO AD2R124P124P-6001	
PRODUCT SPEC	SIZE	CAGE CODE
APPLICATION SPEC	A1	00779
WEIGHT	SCALE	2:1
CUSTOMER DRAWING	SHEET	2 OF 2
REV	C	

TE Connectivity

X-ON Electronics

Largest Supplier of Electrical and Electronic Components

Click to view similar products for [Rack & Panel Connectors](#) category:

Click to view products by [TE Connectivity](#) manufacturer:

Other Similar products are found below :

[00170420102](#) [00171420202](#) [00171440002](#) [008026165000265](#) [00-8219-072-000-112P44](#) [008219072000112P5](#) [02-014-013-5200-000](#) [613467-000](#) [CTJ112E01E-513](#) [CTJ116E03A-513](#) [M81714/63-22S L/C](#) [M81714/65-12-1](#) [66020-2](#) [CW8958-000](#) [699886-000](#) [D250-50632](#)
[70.400.3240.0](#) [70.955.2453.3](#) [733753-000](#) [F22831-000](#) [780-522-DPX34RG8-02](#) [MMA25-0341D1](#) [8660-501](#) [87.060.0053.0](#) [900709N001](#)
[QRP4-12P-C\(01\)](#) [QR/P6-6S-C\(01\)](#) [AC-600003-004](#) [1218600-1](#) [D-659-0061](#) [DMC-MD 24 C-T](#) [1-445717-6](#) [1484398-2](#) [1484399-2](#) [1484469-2](#) [MR-34MG](#) [1484225-1](#) [1484398-1](#) [1604997-2](#) [1663130-1](#) [1663767-7](#) [1663767-8](#) [MTC100-BF1-P31CS015](#) [MTC100-KT2-0083](#) [MTC100-KT2-0123-003](#) [MTC100-YA1-005](#) [MTCB1X-105-XXX](#) [MTCPQKT1P2PGDC](#) [MTCPQKT1R2PGCA](#) [MTCR-103-04S](#)