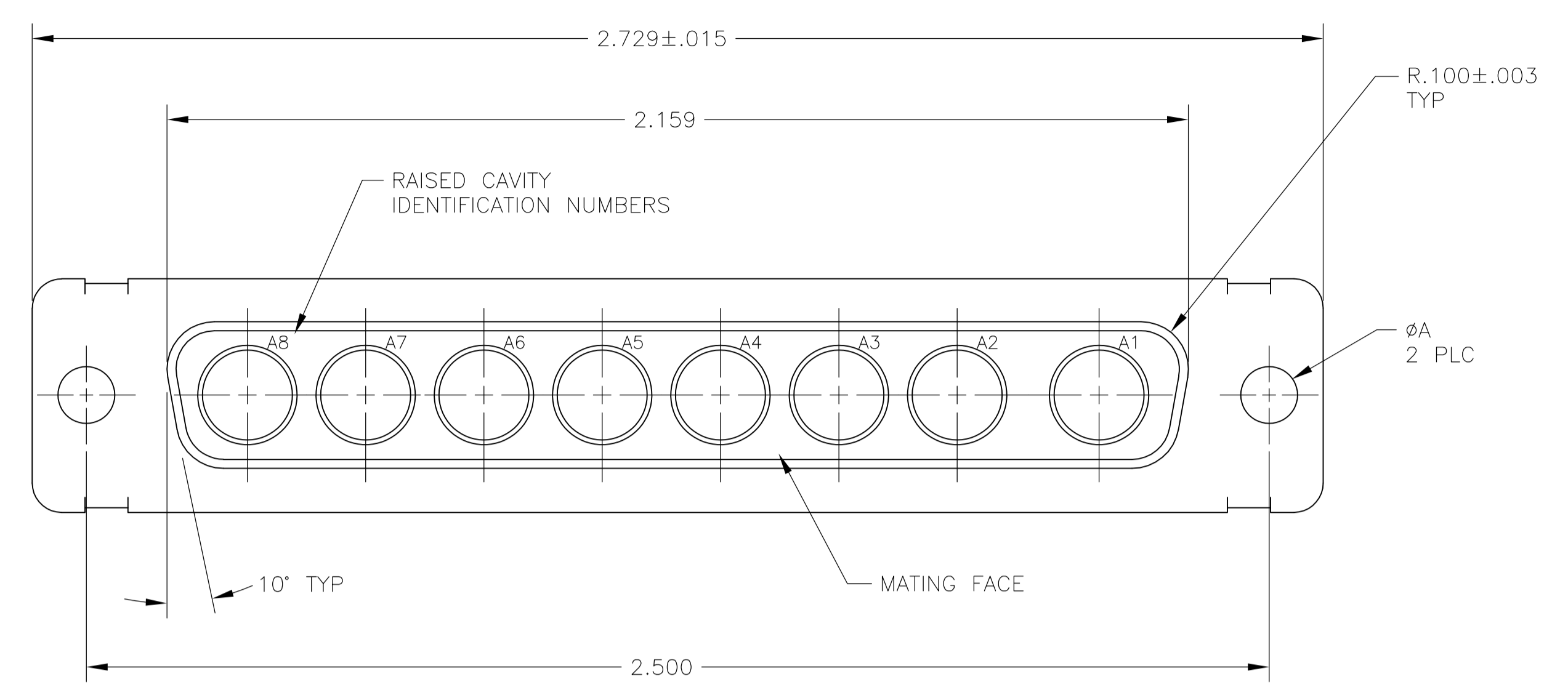
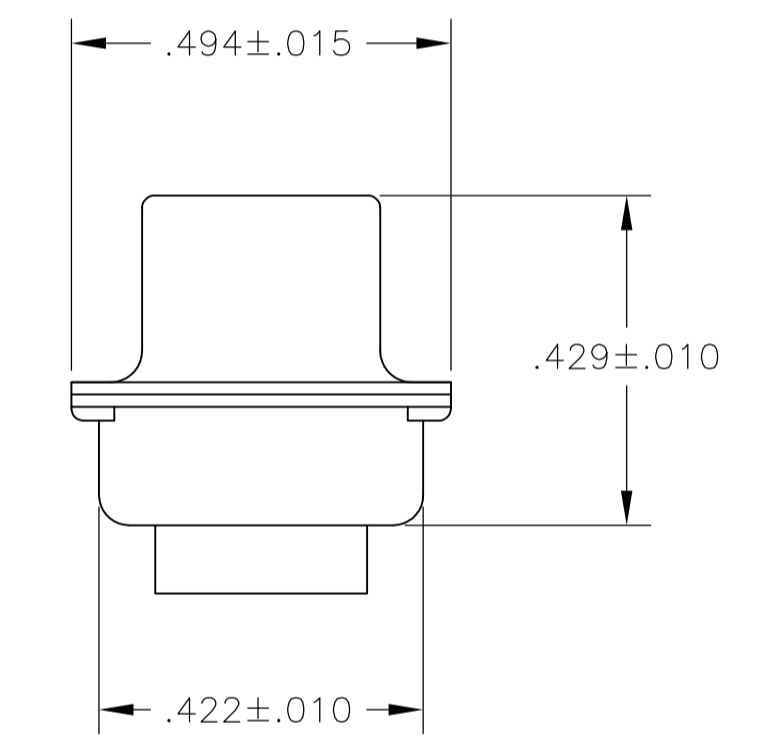
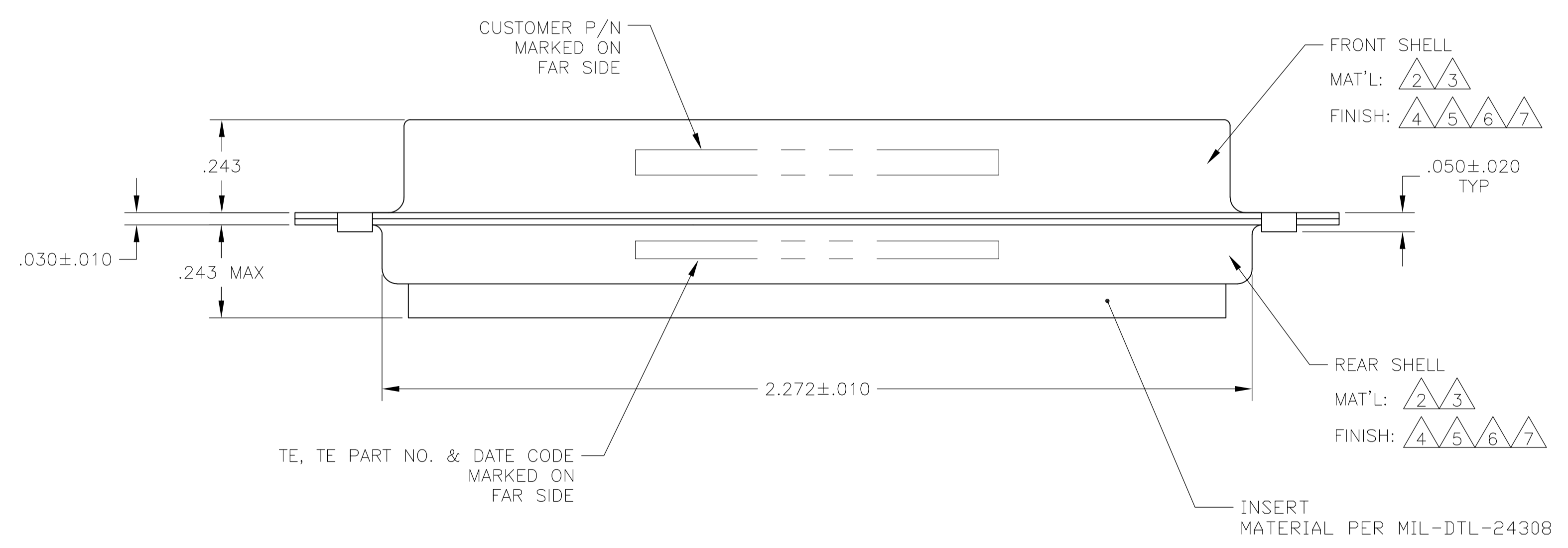


REVISONS		DATE	BY	APPV
T	REV PER ECO-15-016251	13NOV15	KG	CD



- THIS CONNECTOR ACCEPTS (8) POWER 8, OR COAX SOCKET CONTACTS IN POSITIONS A1 THRU A8, PURCHASED SEPARATELY.
- STEEL PER ASTM-A-109.
- BRASS PER MIL-C-50 AND ASTM-B-36 UNS NO. C26000.
- FINISH: CADMIUM PLATED PER QQ-P-416.
- GOLD PLATED PER ASTM-B-488 TYPE 3, CODE C, CLASS 1.25 OVER COPPER PER MIL-C-14550, CLASS IV.
- FINISH: TIN PER ASTM-B-545 .000400 MIN THK OVER COPPER PER AMS2418 .000050 MIN THK.
- FINISH: ZINC PLATED PER ASTM-B-633 .000200-.000400 THK WITH SUPPLEMENTARY CHROMATE (Cr3+).



PRELIMINARY- NOT RELEASED FOR PRODUCTION

REMARKS	ØA	CUSTOMER PART NO.	PART NO.
	.120	-	5-445730-5
	.120	-	5-445730-1
	.120	13508255	445730-8
	.120	ST81D284-002	445730-7
	.120	B010942-0042	445730-6
	.120	-	445730-5
	.154	311P405-15S-B-15	445730-4
	.120	311P405-15S-B-12	445730-3
	.120	2037AS246-01,00779,3003	445730-2
	.120	-	445730-1
REMARKS	ØA	CUSTOMER PART NO.	PART NO.

THIS DRAWING IS A CONTROLLED DOCUMENT. **STE** TE Connectivity

DIMENSIONS: INCHES	TOLERANCES UNLESS OTHERWISE SPECIFIED:	0 PLC ± -	1 PLC ± -	2 PLC ± -	3 PLC ± .005	4 PLC ± -	ANGLES ± 0°30'
MATERIAL	FINISH	WEIGHT	SIZE	CAGE CODE	DRAWING NO	RESTRICTED TO	
			A1	00779	445730		

CUSTOMER DRAWING SCALE 4:1 SHEET 1 OF 1 REV T

## X-ON Electronics

Largest Supplier of Electrical and Electronic Components

*Click to view similar products for [D-Sub Mixed Contact Connectors](#) category:*

*Click to view products by [TE Connectivity](#) manufacturer:*

Other Similar products are found below :

[173114-0234](#) [790-025SF-5P5NMN](#) [790-025SJ-7P7NML](#) [DBM9W4SN](#) [9030M2MAT99X90X](#) [L717TWB5W5P3R](#) [L717TWB5W5PA514](#)  
[L717TWB5W5PRM84](#) [L717TWP3W3P](#) [3003W3PXX56N40X](#) [3005W5PXX99A30X](#) [3005W5PXX99E40X](#) [3005W5SXX99A30X](#)  
[3007W2SCT56N40X](#) [3013W3SCM99A10X](#) [3017W2SCT56N40X](#) [3036W4PCM41A10X](#) [3036W4SCM99A10X](#) [FCE17-E2W2SS-2N0](#)  
[212522-7](#) [3003W3PXX43A10X](#) [3003W3SXX56N40X](#) [3005W5PXX49E40X](#) [3005W5PXX88N40X](#) [3007W2PAR71E20X](#)  
[3008W8SXX57A30X](#) [3009W4PCT57P20X](#) [3011W1SXX99A10X](#) [3013W6SXX99A10X](#) [3017W2PAR69E20X](#) [3017W2SAR69C40X](#)  
[3024W7SCM99A10X](#) [302W2CPXX56N40X](#) [3043W2SAR71E40X](#) [321WA4PXX99A60X](#) [321WA4SCT56N40X](#) [3F3SSC22S41A30X](#)  
[5604805](#) [L717TWA7W2PP2SY3R](#) [DBM9W4PN](#) [421WA4PCR50E20X](#) [09691009009](#) [09691100022500](#) [09693009176](#) [09692009147](#)  
[09693909015](#) [6017W2PCM41B30X](#) [790-044SE-7P3MNPB](#) [790-043PE-11P2MPA](#) [790-043PB-2P2MPB](#)