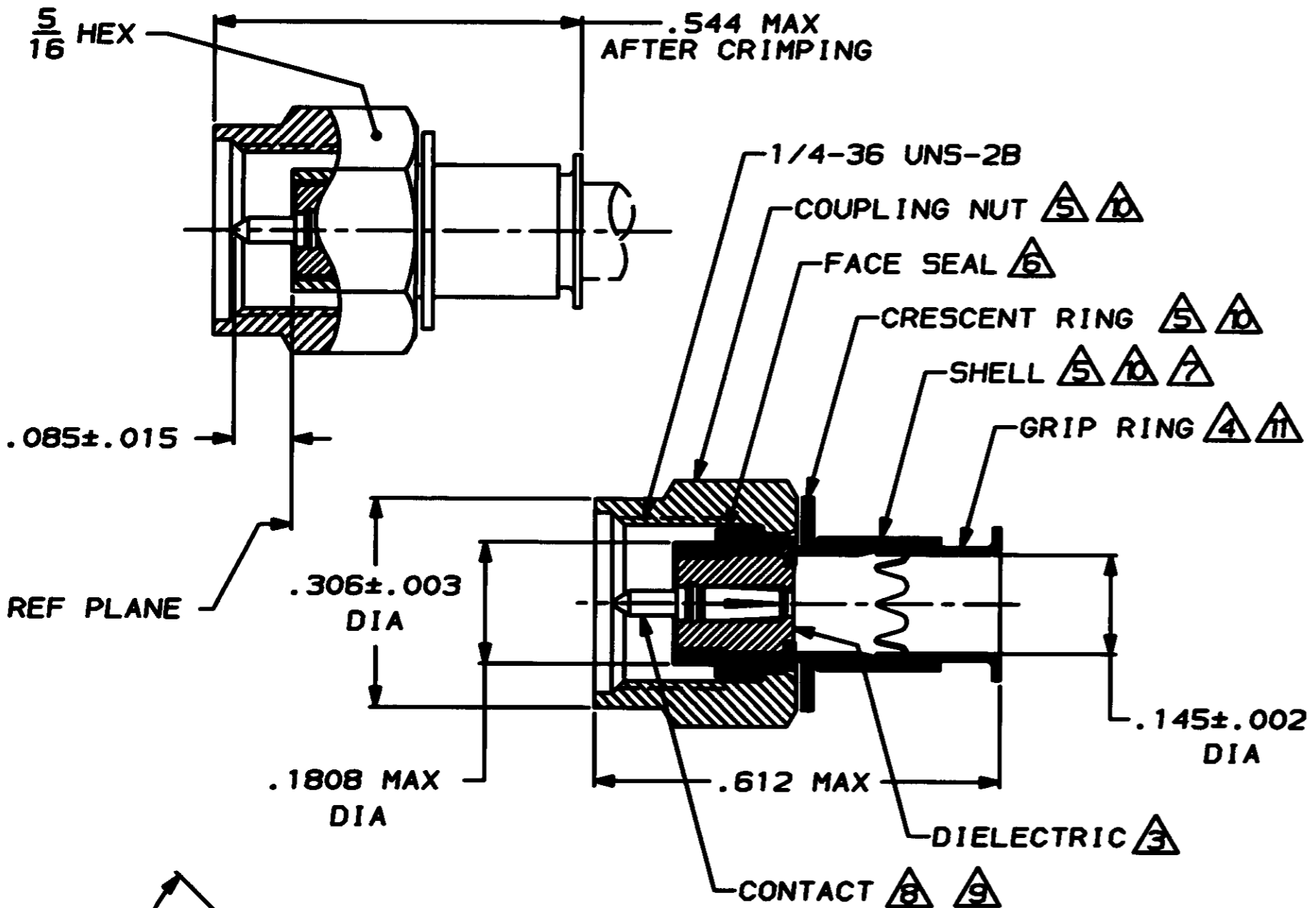
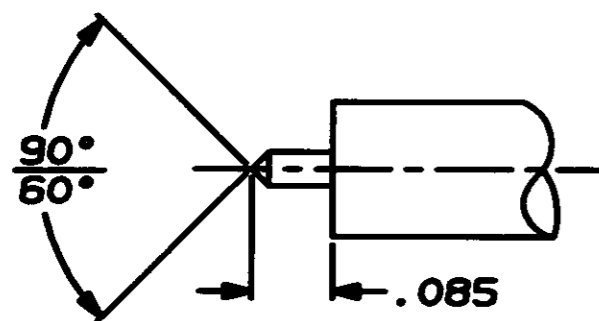


THIS DRAWING IS UNPUBLISHED. RELEASED FOR PUBLICATION .19
 © COPYRIGHT 19 BY AMP INCORPORATED, HARRISBURG, PA. ALL INTERNATIONAL RIGHTS RESERVED. AMP PRODUCTS MAY BE COVERED BY U.S. AND FOREIGN PATENTS AND/OR PATENTS PENDING.

PRD	LOC	DIST	REVISIONS				
			ZONE	LTR	DESCRIPTION	DATE	APPROVED
3346	DF	X0		0	REL PER 89-3439-004		
			✓	A	REV PER DF-6326	CT	1-93 JC



- FOR USE WITH: RG-402/U OR M17/130-0001, .141^{+0.002}/_{-.001} SEMI-RIGID CABLE.
- SEE I.S. 6788
- PTFE PER MIL-P-19468
- BRASS PER MIL-C-50
- STAINLESS STEEL PER ASTM-A-582
- SILICONE RUBBER PER ZZ-R-765
- SEALANT
- BERYLLIUM COPPER PER QQ-C-530
- GOLD PL PER MIL-G-45204
- PASSIVATION PER QQ-P-35
- NICKEL PL PER QQ-N-290
- .500 MIN LENGTH OF STRAIGHT CABLE REQUIRED TO APPLY THE CONNECTOR
- FREQUENCY RANGE: 0 TO 26.5 GHZ



RECOMMENDED STRIP LENGTH

UNLESS OTHERWISE SPECIFIED DIMENSIONS ARE IN INCHES TOLERANCES ON:		DR 8-38-88		446863-1	
2 PL DEC * .005		CHK 8-38-88		PART NO	
3 PL DEC * .005		APPD 10-18-88		AMP INCORPORATED Harrisburg, Pa. 17105	
ANGLES * .005		APPD 10-18-88		NAME PLUG, WEATHERPROOF, SERIES SMA	
MATERIAL 3 THRU 8		PRODUCT SPEC 108-12089		SIZE B	
FINISH 9 10 11		APPLICATION SPEC		PSCH NO 00779	
		WEIGHT		DRAWING NO 446863	
				SCALE 5:1	
				SHEET 1 OF 1	

CUSTOMER DRAWING

X-ON Electronics

Largest Supplier of Electrical and Electronic Components

Click to view similar products for [RF Connectors / Coaxial Connectors](#) category:

Click to view products by [TE Connectivity](#) manufacturer:

Other Similar products are found below :

[R125315120](#) [8915-1511-000](#) [89674-0827](#) [5916-1103-603](#) [0106-001-000](#) [6-0001-3](#) [6001-7071-019](#) [6002-7051-003](#) [6002-7551-202](#) [6059674-1](#) [619550-1](#) [630059-000](#) [M39012/25-0021](#) [M39012/79-3008](#) [M39030/3-01N](#) [M39030/3-03N](#) [M3933/25-29N](#) [M3933/25-36N](#) [6500-7071-046](#) [6501-1071-002](#) [M83723/72W24576](#) [M83723/72W2457N](#) [6769](#) [CX050L2AQ](#) [7002-1541-010](#) [7002-1572-002](#) [7003-1572-002](#) [7004-1512-000](#) [7009-1511-004](#) [7010-1511-000](#) [7029-1511-060](#) [7101-1541-010](#) [7101-1571-002](#) [7105-1521-002](#) [7145-1521-002](#) [7209-1511-011](#) [7210-1511-012](#) [7210-1511-015](#) [7210-1511-019](#) [7210-1511-040](#) [7225-1512-050](#) [7242-1511-000](#) [73137-5015](#) [73251-0111](#) [73251-0672](#) [73276-1501](#) [73366-0013](#) [73404-2300](#) [73413-6080](#) [734151610](#)