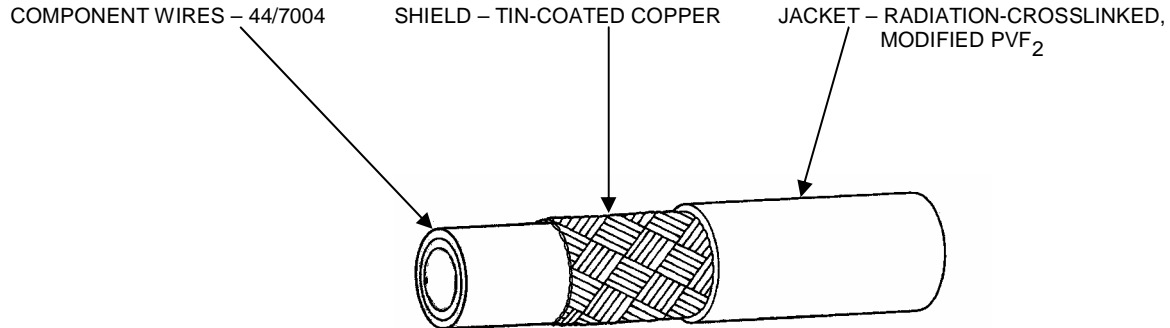


# SPECIFICATION CONTROL DRAWING

44/7024

Title	ONE CONDUCTOR, SHIELDED, JACKETED, GENERAL PURPOSE, 600 VOLT	Date	11-1-05	Revision	E
-------	---	------	---------	----------	---

This specification sheet forms a part of the latest issue of Raychem Specification 44.



CABLE CONSTRUCTION DETAILS							
PART NUMBER 1/	CONDUCTOR SIZE (AWG)	SHIELD SIZE (AWG)	JACKET THICKNESS (inches)		OUTSIDE DIAMETER (inches)		NOMINAL WEIGHT (lb/1000 ft.)
			MINIMUM	NOMINAL	NOMINAL	MAXIMUM	
44/7024-26-*	26	40	.005	.006	.059	.064	3.6
44/7024-24-*	24	40	.005	.006	.063	.068	4.3
44/7024-22-*	22	40	.005	.006	.068	.073	5.8
44/7024-20-*	20	38	.006	.007	.079	.084	7.8

### ADDITIONAL REQUIREMENTS

LIFE CYCLE: 185 ± 3°C

Except as specified above, this construction shall meet all the requirements of Raychem Specification Sheet 44A111X.

#### PART NUMBER:

The “\*\*” in the part numbers above shall be replaced by color code designators with a slash separating the component wire colors and a dash separating the component wire colors from the jacket color.

1/ Example: AWG 20, white component wire; white jacket: 44/7024-20-9-9

*Users should evaluate the suitability of this product for their application. Specifications are subject to change without notice. Tyco Electronics also reserves the right to make changes in materials or processing, which do not affect compliance with any specification, without notification to Buyer.*

1/ COLORS AND COLOR CODE DESIGNATORS SHALL BE IN ACCORDANCE WITH MIL-STD-681. HOWEVER, DUE TO LENGTH LIMITATIONS OF THE RAYCHEM PART NUMBER, AN ALTERNATIVE COLOR CODE MAY REPLACE MIL-STD-681 COLOR CODE DESIGNATORS. (EXAMPLE: "901/902..." MAY BE REPLACED BY "Axxx".) OTHER CODES AND SUFFIXES MAY BE ADDED TO THE PART NUMBER, AS NECESSARY, TO CAPTURE ANY ADDITIONAL REQUIREMENTS IMPOSED BY THE PURCHASE ORDER.

DIMENSIONS ARE IN INCHES AND, UNLESS OTHERWISE DESIGNATED, ARE NOMINAL.

THIS SPECIFICATION SHEET TAKES PRECEDENCE OVER DOCUMENTS REFERENCED HEREIN. REFERENCED DOCUMENTS SHALL BE OF THE ISSUE IN EFFECT ON DATE OF INVITATION FOR BID.



**Raychem Wire & Cable**  
501 Oakside Avenue  
Redwood City, CA 94063-3800  
Phone: 1-800-227-8816  
Fax: 1-650-361-6297

## X-ON Electronics

Largest Supplier of Electrical and Electronic Components

*Click to view similar products for [Hook-up Wire](#) category:*

*Click to view products by [TE Connectivity](#) manufacturer:*

Other Similar products are found below :

[002333-000](#) [M81044/12-22-6](#) [M81044/9-8-9](#) [743094-001](#) [81044/12-18-9CS3209](#) [8538-009-1000](#) [ATFC0311-20-5D](#) [EF5675-000](#)  
[BFWUL3239-24-PINK](#) [22759/34-16-9CS2621](#) [22759/42-24-9CS2620](#) [933205-000](#) [284711-000](#) [961473-000](#) [30802-009-250](#) [99M0111-20-2](#)  
[A00594-000](#) [190571-000](#) [22759/41-12-9CS2620](#) [22759/41-16-9CS2620](#) [22759/43-10-9CS2873](#) [265925-000](#) [CM9524-000](#) [31510-010-250](#)  
[31514-009-500](#) [34401-010-250](#) [34402-010-500](#) [M81044/9-4-9](#) [391441-BK007](#) [400R0111-10-9](#) [431660-000](#) [ATFC0311-20-0](#) [44/7024-26-9-9](#)  
[44A0112-22-9CS3184](#) [456157-000](#) [BFW-UL3239-24-WHITE](#) [55/0312-26-6L-CS2570](#) [55A0811-12-9](#) [55A6087-20-9-9-9](#) [55A6315-22-9-](#)  
[9CS2632](#) [55A7400-22-9/96-9CS2275](#) [55A9002-30-5](#) [55PC0211-20-5CS2502](#) [55PC0811-6-9CS2637](#) [55PC1211-22-9-9CS3278](#) [C07683-000](#)  
[32820-009-5000](#) [34020-008-2000](#) [391850-BK199](#) [392075-RD199](#)