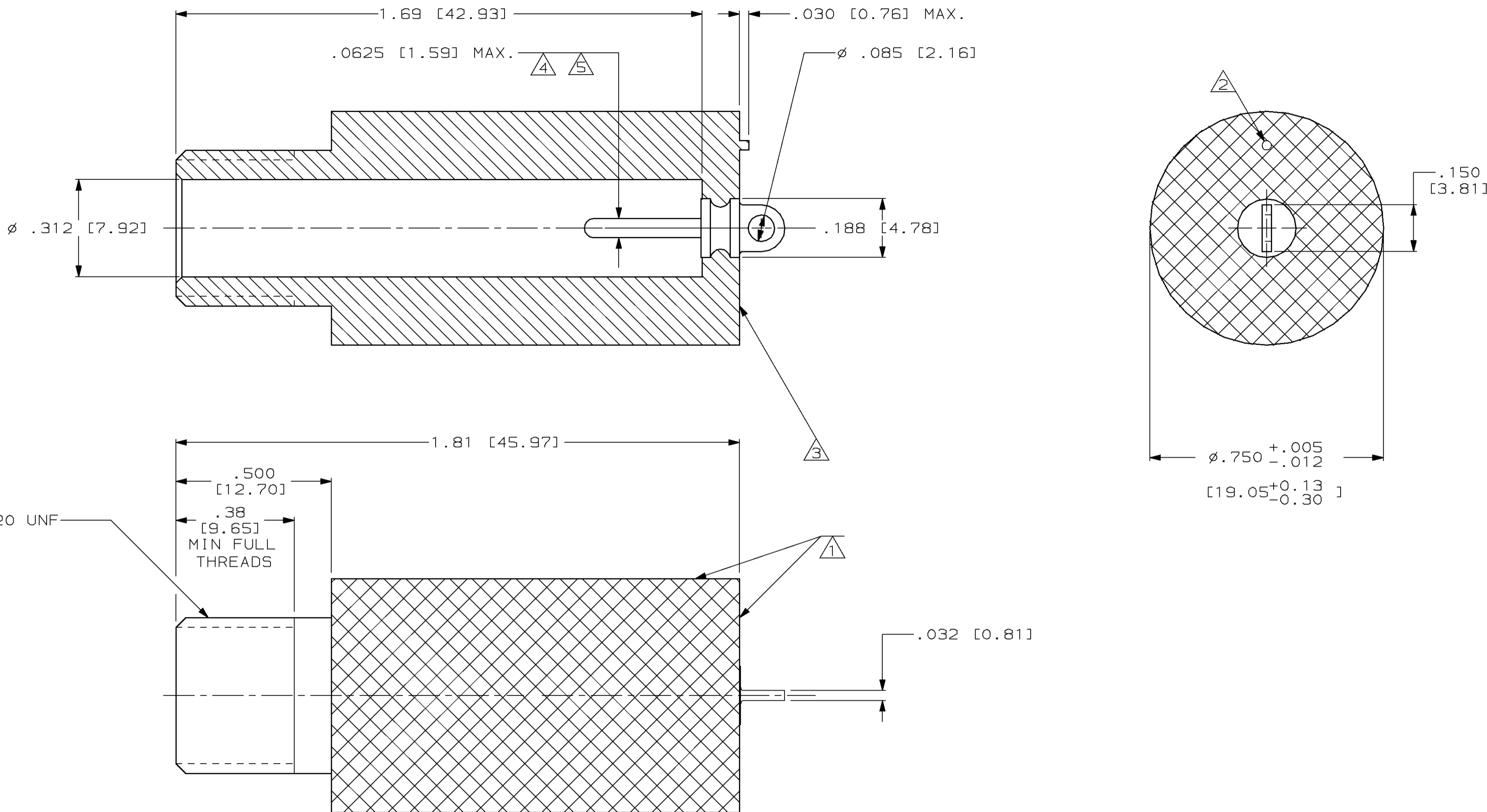


THIS DRAWING IS UNPUBLISHED. RELEASED FOR PUBLICATION .19 .
 © COPYRIGHT 19 BY AMP INCORPORATED. ALL INTERNATIONAL RIGHTS RESERVED.

PROD	LOC	DIST	REVISIONS				DATE	APPD
4087	DF	SO	ZONE	LTR	DESCRIPTION			
			F		REV PER 0600-5825-96	CT	10-96	SG



- ① .750 DIA AND REAR SURFACE SAND BLASTED TO PROMOTE ADHESION TO POTTING MATERIAL.
- ② GATE BREAK-OFF.
- ③ MOLDED GLASS FILLED EPOXY. COLOR: BLACK.
- ④ BRASS PER QQ-B-626.
- ⑤ FINISH: .000100 MIN. THK. TIN-PLATE, PER MIL-T-10727.

DO NOT SCALE PRINT. UNLESS SPECIFIED DIMENSIONS IN INCHES [mm]		DR	W.LEUFERT	6-14-90	AMP INCORPORATED Harrisburg, Pa. 17105
TOLERANCES ON:		CHK	D.EABY	7-19-90	
2 PLC DEC ± .01 [0.25]		APPD	D.EABY	7-19-90	ASSEMBLY, MODIFIED EYELET RECEPTACLE, LGH
3 PLC DEC ± .005 [0.13]		APPD	D.EABY	7-19-90	
ANGLES ± -		PRODUCT SPEC	-		
MATERIAL		APPLICATION SPEC	-		
SEE CALLOUTS		WEIGHT	-		
FINISH		SIZE	C	CAGE CODE	00779
SEE CALLOUTS		SCALE	4:1	DRAWING NO	447305
				SHEET	1 of 1

AS SHOWN	447305-1
NOTE	PART NO.

X-ON Electronics

Largest Supplier of Electrical and Electronic Components

Click to view similar products for [Heavy Duty Power Connectors](#) category:

Click to view products by [TE Connectivity](#) manufacturer:

Other Similar products are found below :

[1424439](#) [1424438](#) [09330062652](#) [605601-1](#) [6340G1](#) [6341G1](#) [6360G1](#) [6373G1](#) [6374g2](#) [6396G1](#) [647757-1](#) [6643411-1](#) [6646058-2](#) [6646137-1](#)
[6646138-1](#) [6646348-1](#) [6646479-1](#) [6646608-1](#) [6646786-1](#) [6646940-1](#) [6651525-1](#) [6651529-1](#) [6651778-1](#) [6651788-1](#) [696465-1](#) [696475-1](#)
[73000005059](#) [73000005349](#) [73000005642](#) [73080965046](#) [765-15-0080A](#) [765-16-0080B](#) [789.700-44](#) [789.700-54](#) [80-1010](#) [80-9](#) [827381-1](#)
[829992-1](#) [902-77-02113](#) [PL00U-301-10D10](#) [PM103MOOLOO](#) [PM212MOOLOO](#) [PM309FOOLOO](#) [PM324FOOLCH](#) [PMHPAF11S03](#)
[PMHPAF14S01](#) [PMHPAM14P05](#) [PMHPAS06](#) [PMHPBF14S01](#) [PP45PC12S](#)