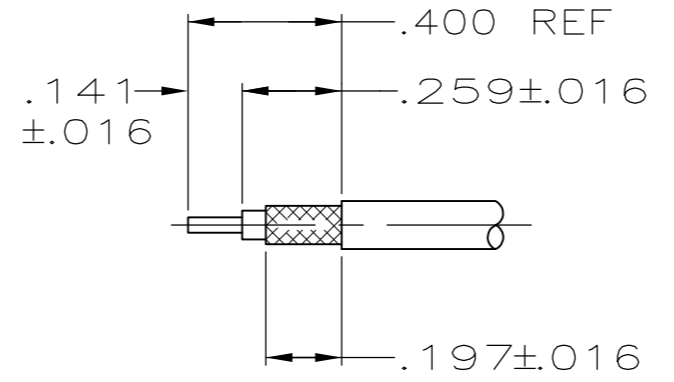
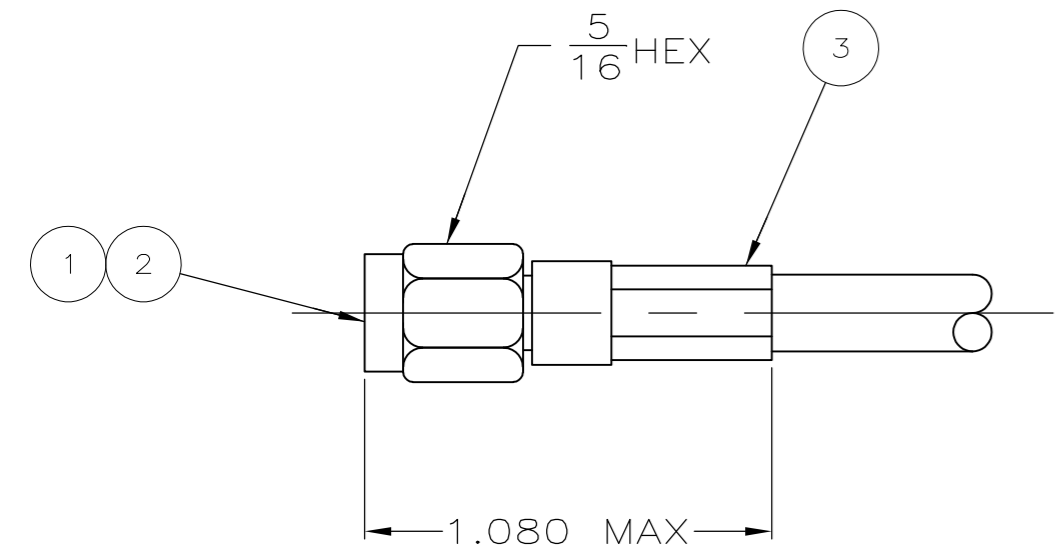
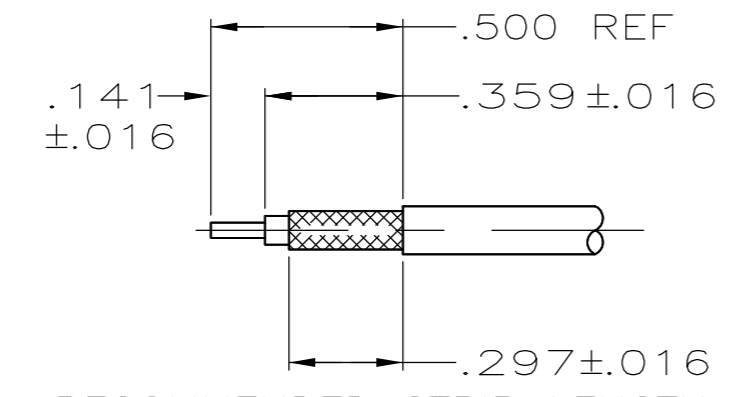


THIS DRAWING IS UNPUBLISHED. RELEASED FOR PUBLICATION
 © COPYRIGHT 2005 BY TYCO ELECTRONICS CORPORATION. ALL RIGHTS RESERVED.

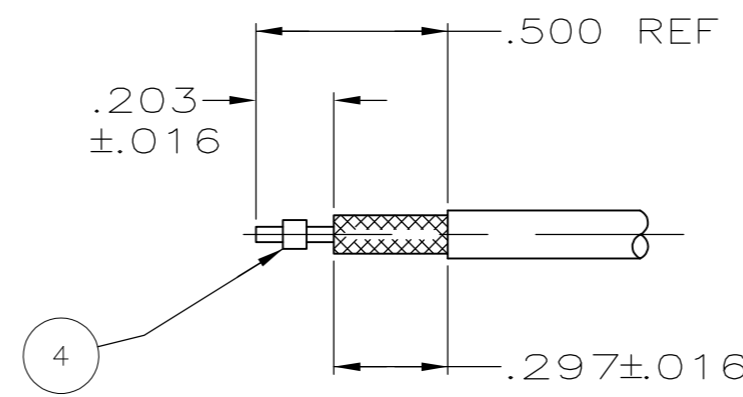
LOC	DIST	REVISIONS					
		P	LTR	DESCRIPTION	DATE	DWN	APVD
AJ	16		W1	REVISED PER ECO-06-018708	29AUG2006	MC	JL
			W2	REVISED PER ECO-09-020932	04SEP09	KK	AEQ



RECOMMENDED STRIP LENGTH FOR 447647-9 ONLY



RECOMMENDED STRIP LENGTH FOR CRIMPED CENTER CONTACT



RECOMMENDED STRIP LENGTH FOR SOLDERED CENTER CONTACT

1. CENTER CONTACT: CRIMPING TOOL M22520/2-01; POSITIONER M22520/2-20; SELECTOR SETTING PER TABLE
2. FERRULE: CRIMPING TOOL M22520/5-01; DIE NUMBER OR HEX SIZE PER TABLE
3. PRODUCT IS DESIGNED TO MEET PRODUCT SPECIFICATION 108-1574.
4. BRIGHT NICKEL PLATE.
5. APPLIES TO 447647-5 ONLY.
6. COUPLING NUT MUST WITHSTAND 60 LB RETENTION FORCE. ALSO 15 IN-LB TORQUE WHEN MATED.
7. GOLD PLATE.
8. USE SELECTOR SETTING #7 FOR RG-142, 142A, 142B AND SELECTOR SETTING #6 FOR RG-400
9. INSTRUCTION SHEET: 408-4032
10. OBSOLETE PARTS: OBSOLETE CIS STREAMLINING PER D.RENAUD/D.SINISI

10 OBSOLETE	RG-174, 188 A, 316	DIE M22520/5-35 B OR .128X.400 HEX	#4	4	BRASS	9-446556-1	447869-2	447844-4	9-447647-1	
	RG-142, 142 A, 142 B, RG-400	DIE M22520/5-11 A OR .213X.400 HEX	8	4	BRASS	9-446556-0	443246-2	447844-1	9-447647-0	
OBSOLETE	RG-174, 188 A, 316	DIE M22520/5-35 B OR .128X.400 HEX	#4	7	BRASS	4-446556-1	447869-2	447844-6	1-447647-4	
OBSOLETE	BELDEN YR20621, CRIMPED/SOLDERED CONTACT	DIE M22520/5-11 A OR .213X.400 HEX	#5	7	BRASS	447863-1	4-446556-0	443246-2	447844-5	
OBSOLETE	RG-142, 142 A, 142 B, RG-400	DIE M22520/5-11 A OR .213X.400 HEX	8	4	BRASS	3-446566-6	443246-2	447844-1	1-447647-2	
	BELDEN YR20621, CRIMPED/SOLDERED CONTACT	DIE M22520/5-11 A OR .213X.400 HEX	#5	4	BRASS	447863-1	4-446556-4	443246-2	447844-7	
OBSOLETE	RG-55, 55 A, 55 B, 223	DIE M22520/5-11 A OR .213X.400 HEX	#7	4	BRASS	9-446556-3	447848-2	447844-1	1-447647-0	
OBSOLETE	RG-174, 188 A, 316	DIE M22520/5-35 B OR .128X.400 HEX	#4	4	BRASS	3-446556-3	447869-2	447844-4	447647-9	
OBSOLETE	RG-174 DB, RG-188 DB, RG-316 DB	DIE M22520/5-35 B OR .128X.400 HEX	#4	PASSIVATED	STAINLESS STEEL	2-446556-4	447869-2	447844-3	447647-8	
OBSOLETE	RG-142, 142 A, 142 B, RG-400, CRIMPED/SOLDERED CONTACT	DIE M22520/5-11 A OR .213X.400 HEX	8	PASSIVATED	STAINLESS STEEL	3-446556-6	443246-2	447844-8	447647-7	
OBSOLETE	RG-316, CRIMPED/SOLDERED CONTACT	DIE M22520/5-35 B OR .128X.400 HEX	#4	PASSIVATED	STAINLESS STEEL	9-446556-1	447869-2	447844-3	447647-6	
SUPERSEDED	BELDEN YR20621, CRIMPED/SOLDERED CONTACT	DIE M22520/5-11 A OR .213X.400 HEX	#5	PASSIVATED	STAINLESS STEEL	447863-1	4-446556-4	443246-2	447844-2	
OBSOLETE	RG-188 Double Braid, 316 Double Braid	DIE M22520/5-35 B OR .128X.400 HEX	#4	4	BRASS	4-446556-3	447869-2	447844-4	447647-4	
	RG-174, 188 A, 316	DIE M22520/5-35 B OR .128X.400 HEX	#4	4	BRASS	9-446556-1	447869-2	447844-4	447647-3	
	RG-142, 142 A, 142 B, RG-400	DIE M22520/5-11 A OR .213X.400 HEX	8	4	BRASS	9-446556-0	443246-2	447844-1	447647-2	
OBSOLETE	RG-58, 58 A/U, 58 B/U, 58 C/U	DIE M22520/5-11 A OR .213X.400 HEX	#5	4	BRASS	9-446556-2	443246-2	447844-1	447647-1	
	CABLE SIZE	2? DIE # OR HEX SIZE	1? SELECTOR SETTING	FINISH	MATERIAL	4 SPACER QTY=1	3 FERRULE QTY=1	2 CONTACT QTY=1	1 PLUG ASSY QTY=1	PART NUMBER

THIS DRAWING IS A CONTROLLED DOCUMENT.

DWN BRENT D. YOHN 11OCT93	 Tyco Electronics Corporation Harrisburg, PA 17105-3608				
CHK LANG LE 27OCT93					
APVD R. FISHER 27OCT93					
PRODUCT SPEC 108-1574					
MATERIAL SEE TABLE	FINISH SEE TABLE	WEIGHT -	SCALE A2 00779	DRAWING NO C=447647	RESTRICTED TO -
CUSTOMER DRAWING		SCALE 1:1	SHEET 1 of 1	REV W2	

X-ON Electronics

Largest Supplier of Electrical and Electronic Components

Click to view similar products for [RF Connectors / Coaxial Connectors](#) category:

Click to view products by [TE Connectivity](#) manufacturer:

Other Similar products are found below :

[8915-1511-000](#) [89674-0827](#) [6001-7071-019](#) [6002-7051-003](#) [6002-7551-202](#) [6059674-1](#) [619550-1](#) [630059-000](#) [M39030/3-01N](#) [6500-7071-046](#) [6769](#) [CX050L2AQ](#) [7002-1541-010](#) [7002-1542-011](#) [7004-1512-000](#) [7009-1511-004](#) [7010-1511-000](#) [7029-1511-060](#) [7101-1541-010](#) [7101-1571-002](#) [7105-1521-002](#) [7145-1521-002](#) [7203-1571-003](#) [7209-1511-011](#) [7210-1511-015](#) [7210-1511-019](#) [73137-5015](#) [73216-2241](#) [73404-2300](#) [7405-1521-005](#) [7405-1521-802](#) [8527](#) [8547](#) [FS11V](#) [877931](#) [9049-9513-000](#) [9074-9513-000](#) [9101-9573-002](#) [910A205F](#) [9130-9573-002](#) [PL11SC-026](#) [PL375-33](#) [PL40-5](#) [PL74C-221](#) [PL75MC-217](#) [PL803-7](#) [1200690078](#) [1-201144-1](#) [R107003010W](#) [R110A172100](#)