

REVISIONS				
P	LTR	DESCRIPTION	DATE	APVD
	B1	ECO 19-011574	8-22-19	CT RL


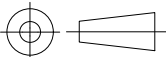
- ① ITEMS PACKAGED IN POLY BAG & LABELED WITH AMP PART NUMBER AND DATE CODE.
- ② MATERIAL: ZINC ALLOY.
- ③ MATERIAL: PASSIVATED STAINLESS STEEL.
- ④ ITEMS PACKAGED IN POLY BAG & LABELED WITH AMP PART NUMBER, AMP, DATE CODE AND CUSTOMER PART NUMBER "4073612-31".
- ⑤ ALUMINUM, BLUE ANODIZED

④	①	PACKAGING			
1	1	1218692-1	⑤	KEYING PLATE	3
2	2	208021-1	③	KEYING SCREWS	2
3	3	208019-1	②	KEYWAY	1
-2	-1	PART NUMBER	MATL.	DESCRIPTION	ITEM NO.

RELEASED FOR PUBLICATION

ALL RIGHTS RESERVED.

© COPYRIGHT - TE Connectivity Ltd.

DIMENSIONS: INCHES	DWN	W.LEUFERT	7-23-91	MATERIAL	-	FINISH	-			
	CHK	S.E.WRIGHT	7-26-91	 TE Connectivity						
TOLERANCES UNLESS OTHERWISE SPECIFIED:	APVD	S.E.WRIGHT	7-26-91							
0 PLC ± -	PRODUCT SPEC		NAME							
1 PLC ± -	-		KEYING KIT, ARINC 600, RECPT.							
2 PLC ± -	APPLICATION SPEC		-							
3 PLC ± -	-		SIZE	CAGE CODE	DRAWING NO	RESTRICTED TO				
4 PLC ± -	-		A4	00779	C-448013	-				
ANGLES ± -	WEIGHT		0.000000							
			CUSTOMER DRAWING		SCALE	1:1	SHEET	1 OF 1	REV	B1

## X-ON Electronics

Largest Supplier of Electrical and Electronic Components

*Click to view similar products for [Rack & Panel Connectors](#) category:*

*Click to view products by [TE Connectivity](#) manufacturer:*

Other Similar products are found below :

[00171410002](#) [00171420202](#) [00171440002](#) [02-014-013-5200-000](#) [613467-000](#) [CTJ112E01E-513](#) [CTJ116E03A-513](#) [66020-2](#) [CW8958-000](#)  
[699886-000](#) [D250-50632](#) [70.400.3240.0](#) [70.955.2453.3](#) [733753-000](#) [F22831-000](#) [780-522-DPX34RG8-02](#) [8660-501](#) [87.060.0053.0](#)  
[900709N001](#) [928358-1](#) [D-659-0061](#) [1-445717-6](#) [1484469-2](#) [1604997-2](#) [MTC100-BF1-P31CS015](#) [MTC100-KT2-0083](#) [MTC100-KT2-0123-](#)  
[003](#) [MTC100-YA1-005](#) [MTCQKT1R2PGCA](#) [MTCR-103-04S](#) [MTCX1X-100-100CS025](#) [1738331-1](#) [1757667-1](#) [1811481-1](#) [1883433-1](#)  
[201046-7](#) [202648-4](#) [205269-1](#) [213364-1](#) [226503-000](#) [937028-164](#) [1663130-2](#) [172305-4](#) [AC-660022-701BP](#) [F36711-000](#) [202355-2](#) [202356-](#)  
[2](#) [G16S-A](#) [G20S-AB](#) [CHA-0017-003](#)