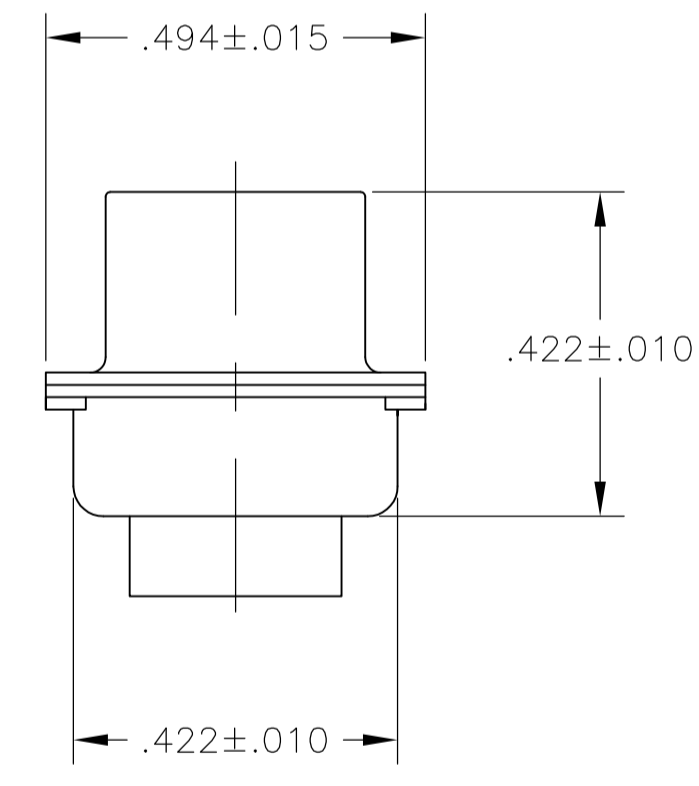
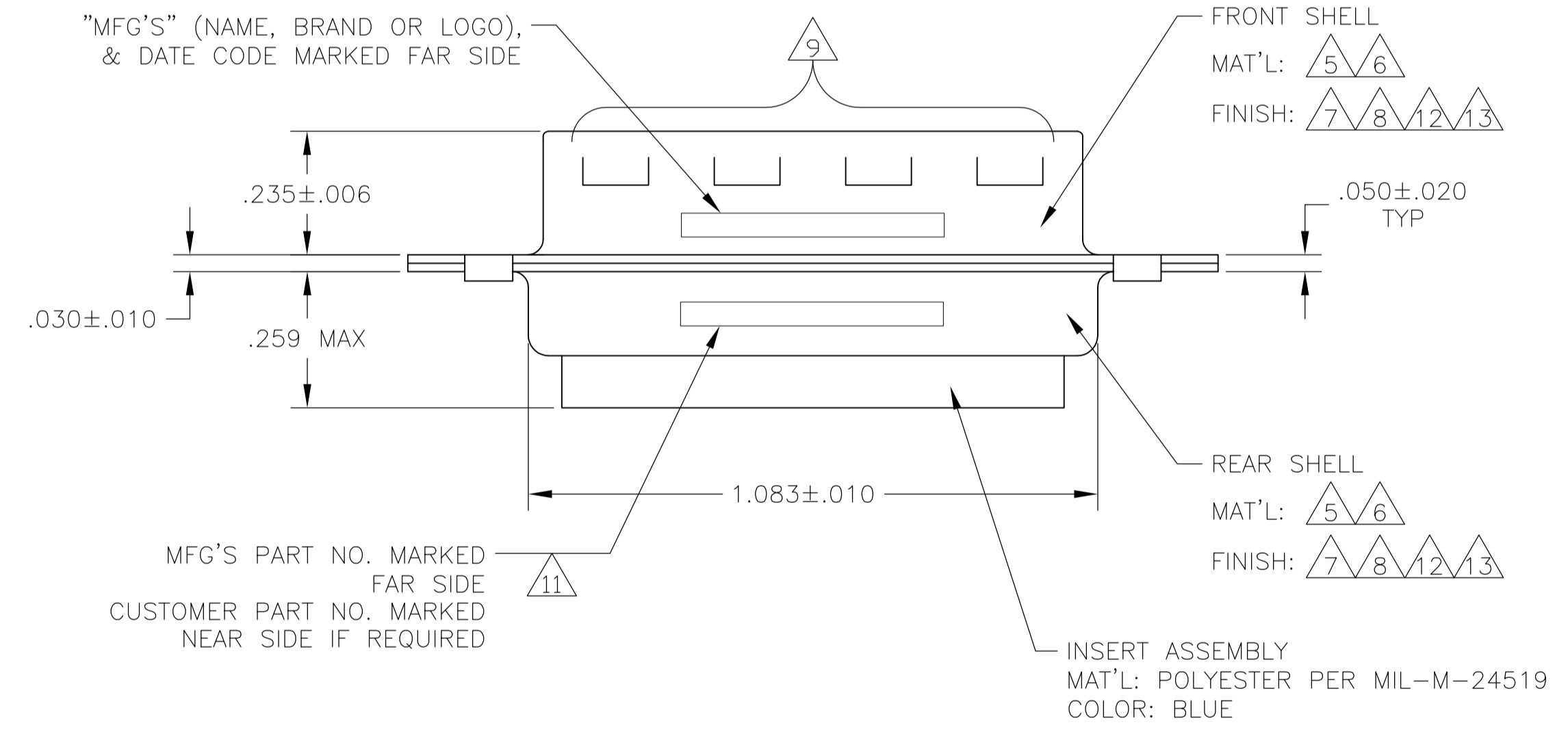
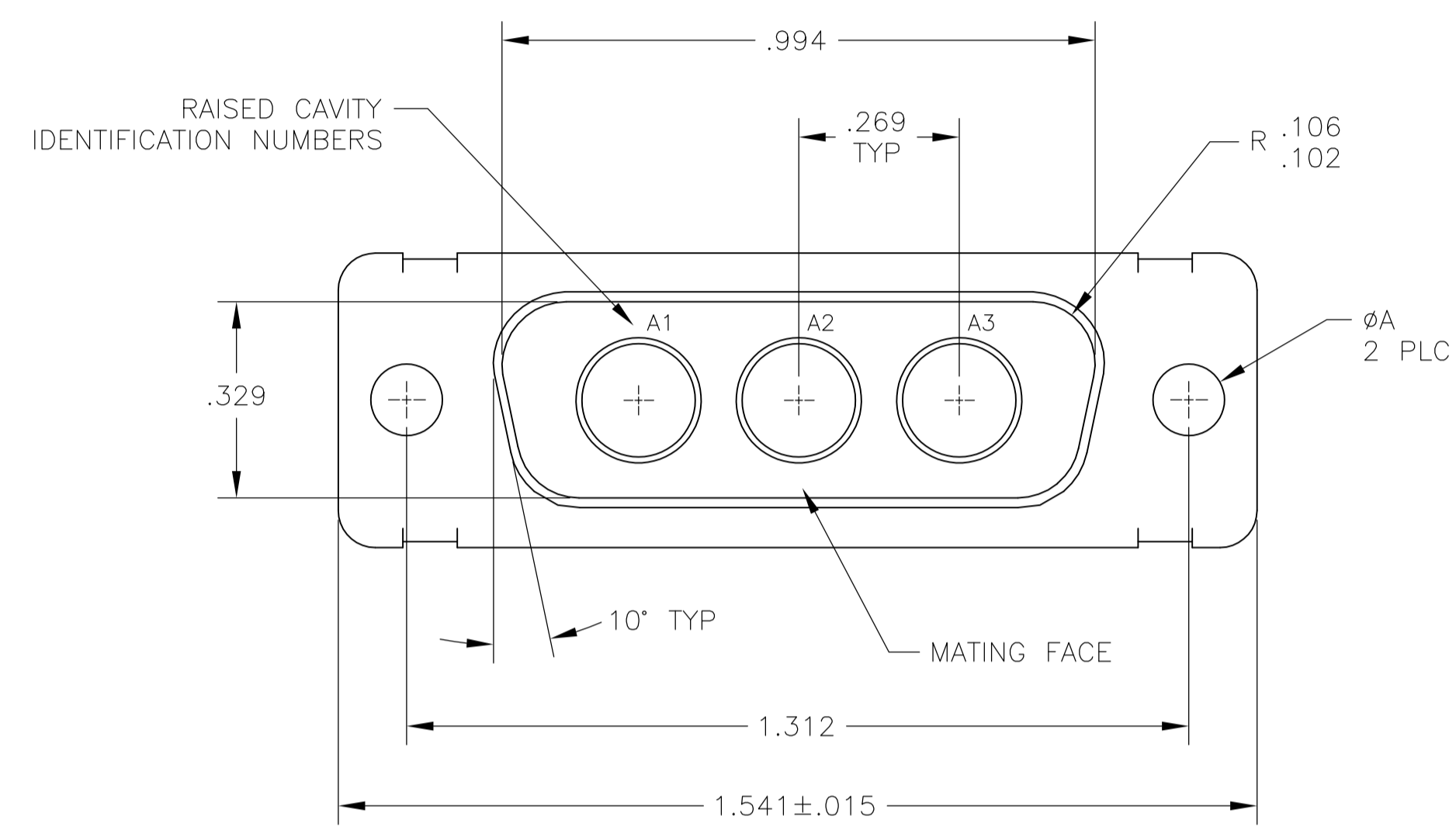


LOC		DIST		REVISIONS			
DF	DO	P	LTR	DESCRIPTION	DATE	DWN	APVD
		R		REVISED PER ECO-12-004104	16MAR12	PY	RL



1. THIS PLUG WILL MATE WITH ANY 3C3, SIZE 2 RECEPTACLE IN AMPLIMITE SERIES.
2. THIS PLUG IS DESIGNED TO CONFORM TO THE LATEST ISSUE OF MIL-C-24308.
3. THIS CONNECTOR ACCEPTS (3) POWER 8, OR COAX PIN CONTACTS IN POSITIONS A1 THRU A3, PURCHASED SEPARATELY.
4. RAISED NUMBERS FOR IDENTIFICATION OF CIRCUIT HOLES.
5. STEEL PER ASTM-A-109.
6. BRASS PER MIL-C-50 AND ASTM-B-36 UNS NO. C26000.
7. CADMIUM PLATED PER QQ-P-416.
8. GOLD PLATED PER MIL-G-45204 TYPE II, GRADE C, CLASS 1 OVER COPPER PER MIL-C-14550, CLASS IV.
9. GROUNDING INDENTS FOR 448153-4 & 5-448153-4 ONLY.
10. "MFG'S" (NAME, BRAND OR LOGO) AND DATE CODE INK STAMPED ON FRONT SHELL, FAR SIDE. MFG'S PART NUMBER INK STAMPED ON REAR SHELL, FAR SIDE. FAR SIDE REFERS TO WIDE SIDE OF KEYSTONE.
11. CUSTOMER PART NUMBER MAY BE SPLIT BETWEEN FRONT AND REAR SHELL, NEAR SIDE.
12. FINISH: TIN PER ASTM-B-545 .000400 MIN THK OVER COPPER PER AMS2418 .000050 MIN THK.
13. FINISH: ZINC PLATE PER ASTM-B-633 .000200-.000400 THK WITH SUPPLEMENTARY CHROMATE (Cr3+).

REMARKS	ØA	CUSTOMER PART NO.	PART NO.
5 7	.120 [3.05]	T5935-0103-002	448153-7
12 10 5 9	.120 [3.05]	-	5-448153-4
5 13	.120 [3.05]	-	5-448153-1
6 8	.120 [3.05]	B010942-0013	448153-5
12 10 5 9	.120 [3.05]	-	448153-4
6 8	.154 [3.91]	311P405-7P-B-15	448153-3
6 8	.120 [3.05]	311P405-7P-B-12	448153-2
5 7	.120 [3.05]	-	448153-1

THIS DRAWING IS A CONTROLLED DOCUMENT. DIN W. LUFERT 06FEB91
 DW. W. BERNHART 24MAR92
 APVD W. BERNHART 24MAR92

STE TE Connectivity

NAME: PLUG ASSEMBLY
 AMPLIMITE 3C3
 SIZE 2, SERIES 109, COAX

SIZE: A1 00779 C=448153
 WEIGHT: -
 CUSTOMER DRAWING

SCALE: 4:1 SHEET 1 OF 1 REV R

X-ON Electronics

Largest Supplier of Electrical and Electronic Components

Click to view similar products for te connectivity manufacturer:

Other Similar products are found below :

[570416-000](#) [CLTEQ-M81CE-SSRELAY-4-20V](#) [4-1633138-8](#) [D38999/24FJ4AN](#) [4-1195131-0](#) [650069-000](#) [SMD100-2](#) [2EDL4CM](#)
[DTS20W19-11PD-3028](#) [DTS20W19-11PD-3028-LC](#) [DTS20W19-32SD-3028-LC](#) [DTS20W19-32SD-3028](#) [NC6-P104-06](#) [TXR64AB90-](#)
[3616AI](#) [DTS26F21-41HE](#) [DTS26F21-41AE](#) [DTS26F21-41PE-LC](#) [DTS26F21-11SE-3028-LC](#) [D38999/24WF32JE](#) [D38999/24WF32SE-LC](#)
[DTS24W19-32HE](#) [D38999/20JB35HA](#) [D38999/24WJ20PA](#) [164-8033-08](#) [D38999/24FF32JE](#) [D38999/24FF32SE-LC](#) [D38999/24WF32JB](#)
[D38999/24WG11HA](#) [D38999/24WG11HN](#) [MS27467T21F11H](#) [DJT16E21-11HA](#) [DTS24F19-32HE](#) [DTS20W19-32SA-3028-LC](#) [DTS24F19-](#)
[11SC-3028-LC](#) [DTS24F19-11SC-3028](#) [DJT14E13-98HB](#) [D38999/20WC8BB](#) [1-330599-5](#) [DTS24F21-41HN-LC](#) [DTS24F21-41HN](#)
[DTS24F21-41AN](#) [DTS24F21-39HN](#) [DTS24F21-41PN-LC](#) [AFD50-10-6SN-1A-LC](#) [DJT10F17-26HC](#) [DTS24W19-32HB](#) [ACT20JE99HA](#)
[DJT10E17-26HC](#) [DJT10E17-26HN](#) [DJT10F17-26HA](#)