



Raychem

TE Internal #: 2820083005

Hook Up Wire, Spec 44, 600V Hook Up Wire Voltage Rating, 16AWG Wire Size, White Hook Up Wire Wire Color, Operating Temperature Range -65 – 150 °C

[View on TE.com >](#)

Wire & Cable > Hook Up Wire



Hook Up Wire Cable Type: **Spec 44**

Hook Up Wire Voltage Rating: **600 V**

Hook Up Wire Insulation Material: **Modified Radiation Cross-linked PVDF**

Hook Up Wire Conductor Material: **Tin-Coated Copper**

Hook Up Wire Wire Color: **White**

## Features

### Product Type Features

|                         |  |
|-------------------------|--|
| Cable Style             | Primary                                      |
| Product Type            | Cable  |
| Product Classification  | Cable - High Performance - Spec 44, 55 & RCW |
| Hook Up Wire Cable Type | Spec 44                                      |

### Configuration Features

|                      |    |
|----------------------|----|
| Number of Conductors | 1  |
| Number of Strands    | 19 |

### Electrical Characteristics

|                             |       |
|-----------------------------|-------|
| Hook Up Wire Voltage Rating | 600 V |
|-----------------------------|-------|

### Body Features

|                                  |                                      |
|----------------------------------|--------------------------------------|
| Hook Up Wire Insulation Material | Modified Radiation Cross-linked PVDF |
| Hook Up Wire Conductor Material  | Tin-Coated Copper                    |
| Hook Up Wire Wire Color          | White                                |

### Dimensions

|                          |                  |
|--------------------------|------------------|
| Overall Outside Diameter | 1.83 mm[.072 in] |
| Wire Diameter            | 1.83 mm[.072 in] |



|                    |                  |
|--------------------|------------------|
| Conductor Diameter | 1.42 mm[.056 in] |
| Strand Size        | 29 AWG           |
| Wire Size          | 16 AWG           |

### Usage Conditions

|                             |              |
|-----------------------------|--------------|
| Operating Temperature Range | -65 – 150 °C |
|-----------------------------|--------------|

### Other

|             |                |
|-------------|----------------|
| Wire Source | United Kingdom |
|-------------|----------------|

## Product Compliance

[For compliance documentation, visit the product page on TE.com>](#)

|   |   |
|---|---|
| EU RoHS Directive 2011/65/EU                  | Compliant   |
| EU ELV Directive 2000/53/EC                   | Compliant   |
| China RoHS 2 Directive MIIT Order No 32, 2016 | No Restricted Materials Above Threshold   |
| EU REACH Regulation (EC) No. 1907/2006        | Current ECHA Candidate List: JUL 2021 (219)<br>Candidate List Declared Against: JUL 2021 (219)<br>Does not contain REACH SVHC |
| Halogen Content                               | Out of Scope - excluded from Halogen requirements   |
| Solder Process Capability                     | Not applicable for solder process capability  |

#### Product Compliance Disclaimer

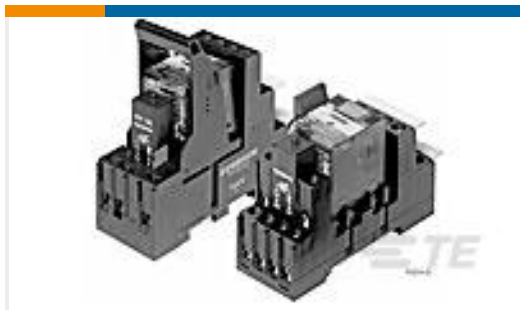
This information is provided based on reasonable inquiry of our suppliers and represents our current actual knowledge based on the information they provided. This information is subject to change. The part numbers that TE has identified as EU RoHS compliant have a maximum concentration of 0.1% by weight in homogenous materials for lead, hexavalent chromium, mercury, PBB, PBDE, DBP, BBP, DEHP, DIBP, and 0.01% for cadmium, or qualify for an exemption to these limits as defined in the Annexes of Directive 2011/65/EU (RoHS2). Finished electrical and electronic equipment products will be CE marked as required by Directive 2011/65/EU. Components may not be CE marked. Additionally, the part numbers that TE has identified as EU ELV compliant have a maximum concentration of 0.1% by weight in homogenous materials for lead, hexavalent chromium, and mercury, and 0.01% for cadmium, or qualify for an exemption to these limits as defined in the Annexes of Directive 2000/53/EC (ELV). Regarding the REACH Regulation, the information TE provides on SVHC in articles for this part number is based on the latest European Chemicals Agency (ECHA) 'Guidance on requirements for substances in articles' posted at this URL: <https://echa.europa.eu/guidance-documents/guidance-on-reach>

## Compatible Parts

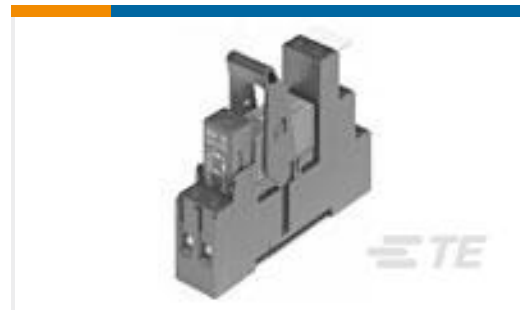


TE Part # 650076-000  
 D-436-38

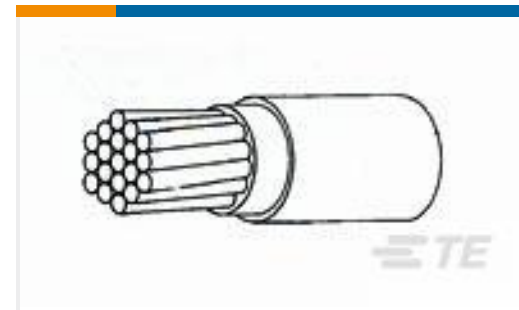
### Customers Also Bought



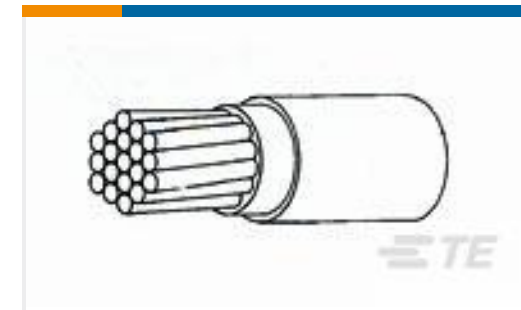
TE Part #1415076-1  
 PT5S7LC4



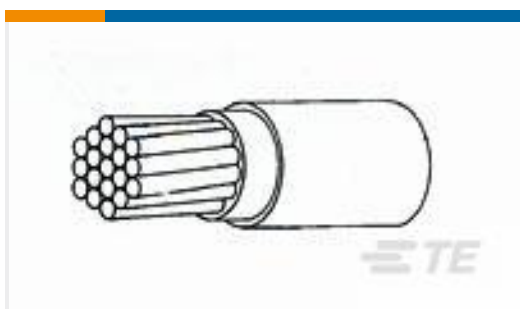
TE Part #1-1415073-1  
 RT4S4LC4



TE Part #2820303009  
 44A0111-22-0



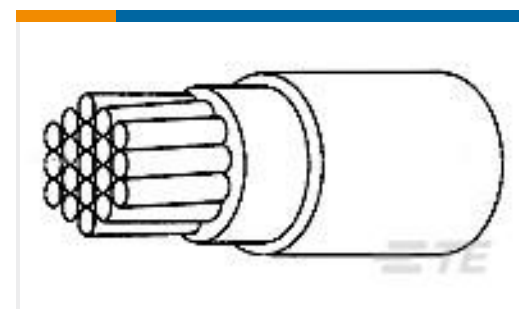
TE Part #2820013007  
 44A0111-16-1



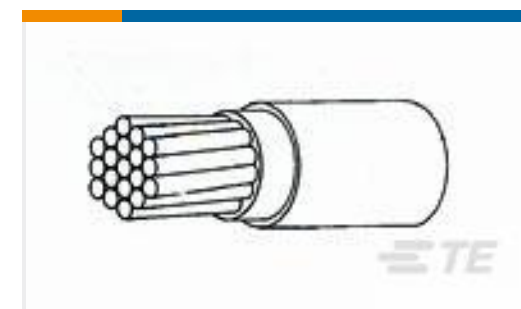
TE Part #2820073006  
 44A0111-16-7



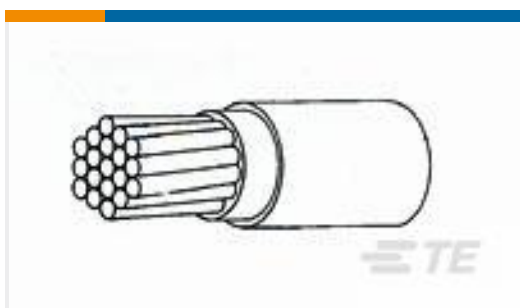
TE Part #2831423006  
 44A0111-22-2L



TE Part #7308713001  
 99M0111-22-9



TE Part #2820063010  
 44A0111-16-6



TE Part #2820353008  
 44A0111-22-5



TE Part #794277-1  
 09P UMNL INTERFACE SEAL

### Documents

#### Product Drawings

[44A0111-16-8](#)

English

#### Datasheets & Catalog Pages

[1654025\\_Sec9\\_SPEC44](#)

English

[Raychem Wire and Cable Quick Reference Guide](#)

English

44A0111-16-8

Hook Up Wire, Spec 44, 600V Hook Up Wire Voltage Rating, 16AWG Wire Size, White  
Hook Up Wire Wire Color, Operating Temperature Range -65 – 150 °C



## X-ON Electronics

Largest Supplier of Electrical and Electronic Components

*Click to view similar products for [Hook-up Wire](#) category:*

*Click to view products by [TE Connectivity](#) manufacturer:*

Other Similar products are found below :

[8918-BRN-1000](#) [8920-DK-BLU-1000](#) [CR6328-000](#) [01776.38.01](#) [7053-RED-1000](#) [7053-SLATE-1000](#) [F25935-000](#) [F60898-000](#) [8055](#)  
[81044/12-18-9CS3209](#) [82A0811-4-9-G110](#) [83004-ORG-1000](#) [83005-LT-BLU-1000](#) [83025-VIO-1000](#) [8523-RED-100](#) [8524-WHT-100](#) [8525-](#)  
[ORG-1000](#) [8530-BLK-1000](#) [8530-LT-BLU-100](#) [8538-009-1000](#) [8597-LT-BLU-100](#) [8898-BLK-100](#) [138498-000](#) [E76065-000](#) [EPD50886A-](#)  
[20-9](#) [BFWUL3239-24-PINK](#) [C2015A.12.04](#) [C2015A.12.05](#) [C2015A.12.08](#) [C2015A.12.10](#) [C2015A.12.19](#) [C2016A.12.05](#) [C2016A.12.07](#)  
[C2065A.12.02](#) [C77653-000](#) [220368-001](#) [8916-GRY-500](#) [8918-RED-100](#) [8919-YEL-100](#) [8920-YEL-100](#) [9242833001](#) [933205-000](#) [2841/7-](#)  
[YELLOW-1000](#) [2842/7-ORANGE-100](#) [2842/7-RED-1000](#) [2843/19-BLUE-100](#) [2843/1-YELLOW-100](#) [2844/7-BLACK-1000](#) [2845/7-RED-](#)  
[100](#) [2855/1-BLACK-100](#)