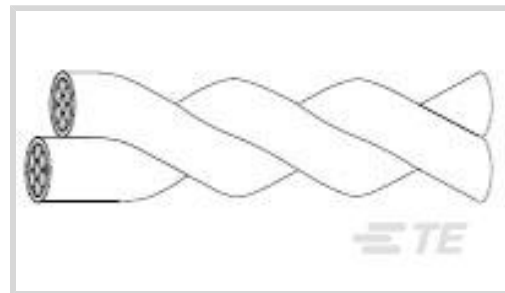




Wire & Cable > Twisted Pair Cable



Cable Type: **Spec 44**

Voltage Rating: **1000 VAC**

Insulation Material: **Modified Radiation Cross-linked PVDF**

Conductor Material: **Tin-Coated Copper**

Wire Size: **16 AWG**

Features

Product Type Features

Product Classification	Cable - High Performance - Spec 44, 55 and RCW
Product Type	Cable
Cable Style	Primary
Cable Type	Spec 44

Configuration Features

Number of Conductors	2
Number of Strands	19

Electrical Characteristics

Voltage Rating	1000 VAC
----------------	----------

Body Features

Wire Color	Black, White
Cable Configuration	Twisted Pair
Insulation Material	Modified Radiation Cross-linked PVDF
Conductor Material	Tin-Coated Copper

Dimensions

Wire Diameter	.081 mm[.081 in]
Overall Outside Diameter	4.11 mm[.162 in]
Wire Size	16 AWG

Strand Size

29 AWG

Usage Conditions

Operating Temperature Range

-65 – 150 °C[-85 – 302 °F]

Product Compliance

[For compliance documentation, visit the product page on TE.com>](#)

EU RoHS Directive 2011/65/EU

Compliant

EU ELV Directive 2000/53/EC

Compliant

China RoHS 2 Directive MIIT Order No 32, 2016

No Restricted Materials Above Threshold

EU REACH Regulation (EC) No. 1907/2006

Current ECHA Candidate List: JAN 2019 (197)
Candidate List Declared Against: JAN 2019 (197)

Halogen Content

Out of Scope - excluded from Halogen requirements

Solder Process Capability

Not applicable for solder process capability

Product Compliance Disclaimer

This information is provided based on reasonable inquiry of our suppliers and represents our current actual knowledge based on the information they provided. This information is subject to change. The part numbers that TE has identified as EU RoHS compliant have a maximum concentration of 0.1% by weight in homogenous materials for lead, hexavalent chromium, mercury, PBB, PBDE, DBP, BBP, DEHP, DIBP, and 0.01% for cadmium, or qualify for an exemption to these limits as defined in the Annexes of Directive 2011/65/EU (RoHS2). Finished electrical and electronic equipment products will be CE marked as required by Directive 2011/65/EU. Components may not be CE marked. Additionally, the part numbers that TE has identified as EU ELV compliant have a maximum concentration of 0.1% by weight in homogenous materials for lead, hexavalent chromium, and mercury, and 0.01% for cadmium, or qualify for an exemption to these limits as defined in the Annexes of Directive 2000/53/EC (ELV). Regarding the REACH Regulations, TE's information on SVHC in articles for this part number is still based on the European Chemical Agency (ECHA) 'Guidance on requirements for substances in articles' (Version: 2, April 2011), applying the 0.1% weight on weight concentration threshold at the finished product level. TE is aware of the European Court of Justice ruling of September 10th, 2015 also known as O5A (Once An Article Always An Article) stating that, in case of 'complex object', the threshold for a SVHC must be applied to both the product as a whole and simultaneously to each of the articles forming part of its composition. TE has evaluated this ruling based on the new ECHA "Guidance on requirements for substances in articles" (June 2017, version 4.0) and will be updating its statements accordingly.

Compatible Parts



TE Part # 650076-000
[D-436-38](#)

Customers Also Bought



TE Part #CT75843001
44A1321-14-0/9-9



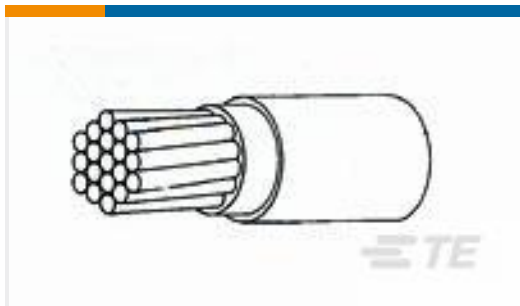
TE Part #2824113006
44A0211-16-0



TE Part #5070134005
RNF-100-3-X-SP



TE Part #355365-000
225M510-19C



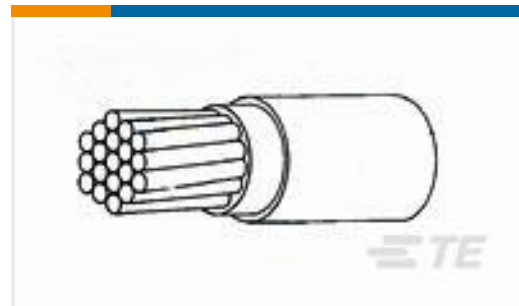
TE Part #2825653001
44A0211-16-5



TE Part #D856083001
44A0221-12-0/9



TE Part #D130453001
44A0221-18-0/9



TE Part #2825043001
44A0311-16-0



TE Part #CT77043001
44A1221-14-0/2-9



TE Part #3826873002
44A1221-16-0/9-9

Documents

Product Drawings

[44A0221-16-0/9](#)

English

Datasheets & Catalog Pages

[1654025_Sec9_SPEC44](#)

English

X-ON Electronics

Largest Supplier of Electrical and Electronic Components

Click to view similar products for [Multi-Conductor Cables](#) category:

Click to view products by [TE Connectivity](#) manufacturer:

Other Similar products are found below :

[8916-GRY-100](#) [8918-GRN/YEL-100](#) [8920-BRN-1000](#) [8920-RED-1000](#) [89907-LT-DEC/GRY-500](#) [CR3909-000](#) [CR3927-000](#) [01342.35T.01](#)
[01364.35T.01](#) [003201-000](#) [CS2885-000](#) [CS8782-000](#) [CS9912-000](#) [6200UE-NAT-U1000](#) [CTC-0062-20-9/5-9](#) [CTC-0062-22-9/5-9](#) [6304FE-](#)
[877-U500](#) [6309UE-877-1000](#) [6320UE-NAT-U1000](#) [644833-000](#) [6502FE 8771000](#) [6504UE-877-U1000](#) [CW9530-000](#) [CX6543-000](#) [CXA-](#)
[0066-20-4-9CS2973](#) [CXA-0078-16-1-9CS2405](#) [CXA-0078-22-4-9CS2405](#) [CXA-0078-24-4-9CS2405](#) [CXA-0140-16-6/9-9CS2405](#) [CY0660-](#)
[000](#) [706/2R-BLACK-EACH](#) [720451-000](#) [730859-000](#) [MCC-USB-4-250](#) [752687-000](#) [768146-000](#) [773159-000](#) [7934A-BLK-1000](#) [8125-](#)
[CHR-100](#) [8164-CHR-1000](#) [820457-000](#) [8205-CHR-1000](#) [8240-BLK-U1000](#) [82723-NAT-1000](#) [82907-NAT-500](#) [83003-YEL-500](#) [83005-](#)
[WHT-500](#) [83006-DK-GRN-100](#) [83008-WHT-1000](#) [83009-BLK-100](#)