



Wire & Cable > Twisted Pair Cable



Cable Type: **Spec 44**

Voltage Rating: **600 VAC**

Insulation Material: **Modified Radiation Cross-linked PVDF**

Conductor Material: **Tin-Coated Copper**

Wire Size: **16 AWG**

### Features

#### Product Type Features

Cable Type	Spec 44
------------	---------

#### Electrical Characteristics

Voltage Rating	600 VAC
----------------	---------

#### Body Features

Insulation Material	Modified Radiation Cross-linked PVDF
Conductor Material	Tin-Coated Copper

#### Dimensions

Wire Size	16 AWG
-----------	--------

#### Usage Conditions

Operating Temperature Range	-65 – 150 °C
-----------------------------	--------------

### Product Compliance

[For compliance documentation, visit the product page on TE.com>](#)

EU RoHS Directive 2011/65/EU	Not Yet Reviewed
EU ELV Directive 2000/53/EC	Not Yet Reviewed
China RoHS 2 Directive MIIT Order No 32, 2016	No Restricted Materials Above Threshold
EU REACH Regulation (EC) No. 1907/2006	Current ECHA Candidate List: JAN 2019 (197) Candidate List Declared Against: JAN 2019 (197)



Halogen Content	Out of Scope - excluded from Halogen requirements
-----------------	---

Solder Process Capability	Not applicable for solder process capability
---------------------------	--

**Product Compliance Disclaimer**

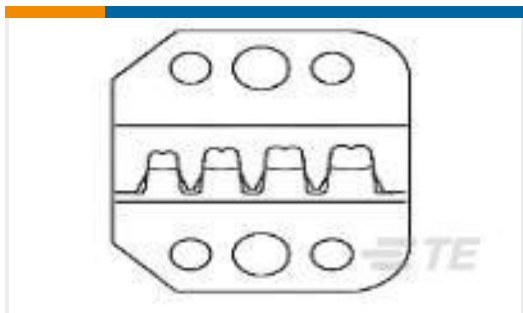
This information is provided based on reasonable inquiry of our suppliers and represents our current actual knowledge based on the information they provided. This information is subject to change. The part numbers that TE has identified as EU RoHS compliant have a maximum concentration of 0.1% by weight in homogenous materials for lead, hexavalent chromium, mercury, PBB, PBDE, DBP, BBP, DEHP, DIBP, and 0.01% for cadmium, or qualify for an exemption to these limits as defined in the Annexes of Directive 2011/65/EU (RoHS2). Finished electrical and electronic equipment products will be CE marked as required by Directive 2011/65/EU. Components may not be CE marked. Additionally, the part numbers that TE has identified as EU ELV compliant have a maximum concentration of 0.1% by weight in homogenous materials for lead, hexavalent chromium, and mercury, and 0.01% for cadmium, or qualify for an exemption to these limits as defined in the Annexes of Directive 2000/53/EC (ELV). Regarding the REACH Regulations, TE's information on SVHC in articles for this part number is still based on the European Chemical Agency (ECHA) 'Guidance on requirements for substances in articles' (Version: 2, April 2011), applying the 0.1% weight on weight concentration threshold at the finished product level. TE is aware of the European Court of Justice ruling of September 10th, 2015 also known as O5A (Once An Article Always An Article) stating that, in case of 'complex object', the threshold for a SVHC must be applied to both the product as a whole and simultaneously to each of the articles forming part of its composition. TE has evaluated this ruling based on the new ECHA "Guidance on requirements for substances in articles" (June 2017, version 4.0) and will be updating its statements accordingly.

### Compatible Parts

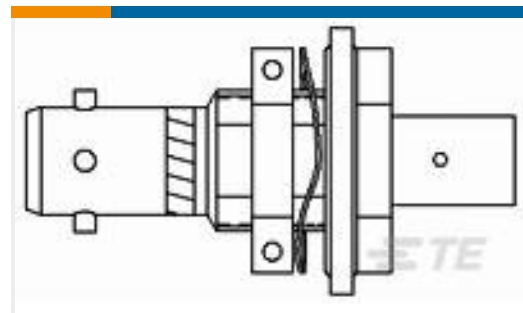


TE Part # 650076-000  
[D-436-38](#)

### Customers Also Bought



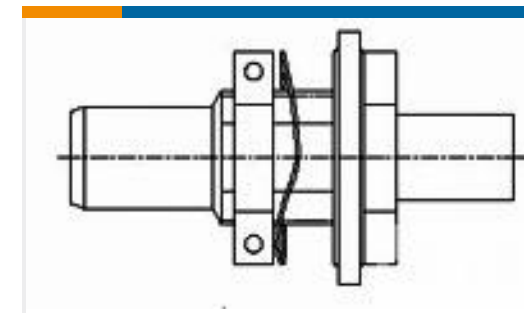
TE Part #58570-2  
[PRO-CRIMPER DIE JR POWER TIMER](#)



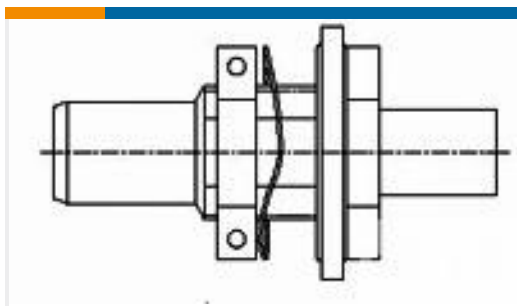
TE Part #D42234-000  
[DK-621-0440F-4S](#)



TE Part #2102848-1  
[DC, 7Row, Half End, RTM, MULTIGIG RT 2R](#)



TE Part #C11277-000  
[DK-621-0412F-P](#)



TE Part #D36771-000  
[DK-621-0412F-S](#)



TE Part #EK6864-000  
[44A1131-18-2/45/6-0](#)



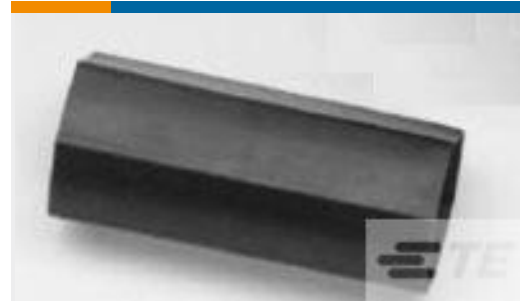
TE Part #  
[ZPF000000000007316](#)  
[983-0S 08-98 PN](#)



TE Part #  
[ZPF000000000008276](#)  
[983-6KE 20-39 SN](#)



TE Part #  
[ZPF000000000008799](#)  
[983-6SE 12-12 P8](#)



TE Part #CJ6259-000  
[HRHF-125FR-2](#)

## Documents

### Product Drawings

[44A1121-16-0/2-9](#)

English

### Datasheets & Catalog Pages

[1654025\\_Sec9\\_SPEC44](#)

English

### Product Specifications

[Product Specification](#)

English

### Product Environmental Compliance

[REACH Substance Communication Document](#)

English

## X-ON Electronics

Largest Supplier of Electrical and Electronic Components

*Click to view similar products for [Multi-Conductor Cables](#) category:*

*Click to view products by [TE Connectivity](#) manufacturer:*

Other Similar products are found below :

[89504-002-1000](#) [89705-008-500](#) [6000FE-877-1000](#) [CS2885-000](#) [M27500-20SP2S23](#) [6309UE-877-1000](#) [M3905-BK005](#) [6502FE 8771000](#)  
[CW9530-000](#) [CX6543-000](#) [CXA-0066-20-4-9CS2973](#) [CXA-0078-16-1-9CS2405](#) [CXA-0078-22-4-9CS2405](#) [CXA-0078-24-4-9CS2405](#)  
[CXA-0140-16-6/9-9CS2405](#) [CY0660-000](#) [720451-000](#) [752687-000](#) [768146-000](#) [773159-000](#) [83318E-009-500](#) [8348-060-500](#) [83559-002-](#)  
[1000](#) [83653-002-5000](#) [8404-060-500](#) [8469 060100](#) [858171-000](#) [8628-060-500](#) [868361-001](#) [8730-060-1000](#) [8737-060-U1000](#) [8747-060-100](#)  
[8747-060-1000](#) [8769-060-1000](#) [8775-060-500](#) [8780-060-1000](#) [8782-001-U1000](#) [9159-060-500](#) [9318-060-1000](#) [939870-000](#) [9423 060U500](#)  
[9444 060U1000](#) [9497 0001000](#) [9520-060-1000](#) [9524-060-1000](#) [9546-060-500](#) [9572-002-U500](#) [9774-060-1000](#) [A43962-000](#) [1232A1-008-](#)  
[1000](#)