



# Autotransformer for Lighting Ballasts



# Autotransformer for Lighting Ballasts



## KEY FEATURES

Step-down 480 VAC, 60 Hz. line voltage to 277VAC

Available in 230VA and 460VA models

Excellent regulation in a cost-effective design

Welded brackets for mounting convenience

Color-coded leads for wiring



## DESCRIPTION

These 4500 series autotransformers are designed to step-down 480 VAC, 60Hz. line voltage to 277VAC for lighting ballast applications. The single-winding devices are available in 230VA and 460VA models. They incorporate butt stack and weld lamination construction with a molded bobbin. The molded coil cover provides integral strain relief for the leads.

## APPLICATIONS

Fluorescent fixture ballasts in commercial lighting systems

## ELECTRICAL

Primary Voltage: 480 volts AC  
Secondary Voltage: 277 volts AC

Frequency: 60 Hz.

Ratings: 230 and 460VA

Insulation Class: UL Class B (130°C)

## MECHANICAL

Approx. Weight: 230VA model: 2.25 lbs. (1.02 kg)  
460VA model: 4.25 lbs. (1.93 kg)

Finish: Corrosion resistant varnish

Termination: 18AWG stranded leads 12.0 in (305 mm) long, stripped 0.5 in (123.7 mm)

## STANDARDS & SPECS

UL Component Recognized to US and Canadian standards, File E102980

## PRODUCT OFFERING

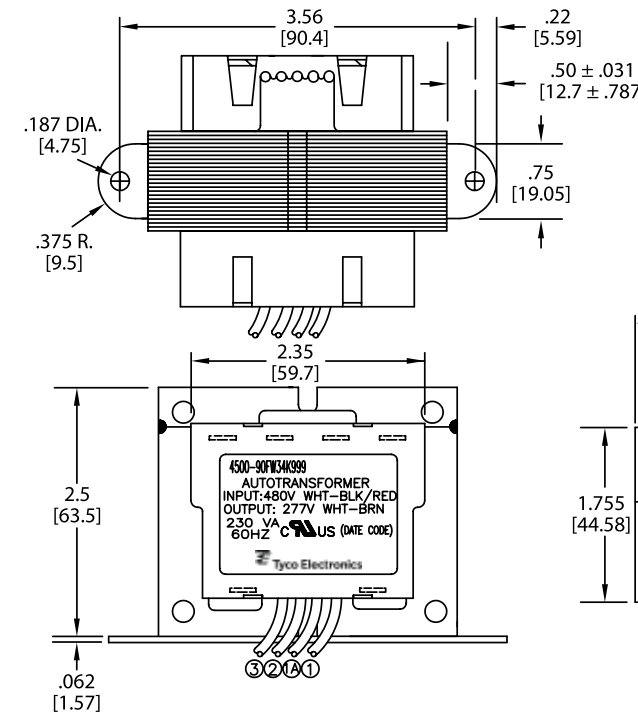
The following standard part numbers are available:

230VA model	4500-90FW34K999	1611516-8
460VA model	4500-90FX28K999	1611516-7

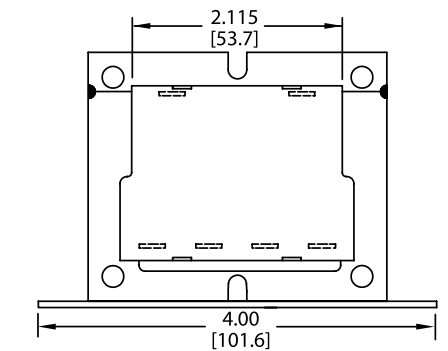
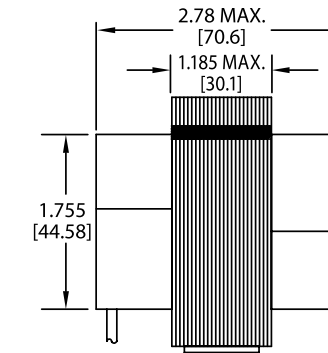
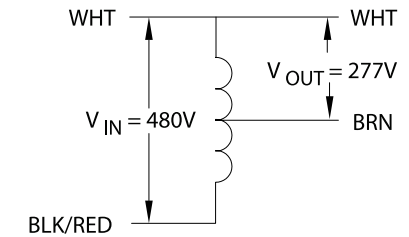
Other sizes, termination and mounting options available on a special order basis.

## PRODUCT DIMENSIONS & SCHEMATIC

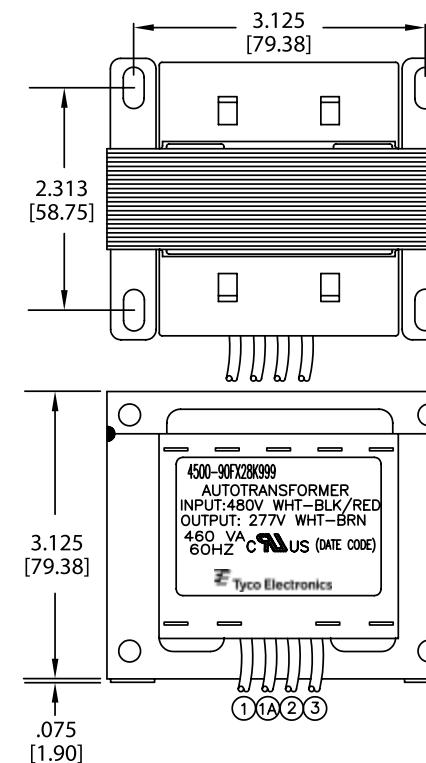
230VA Model



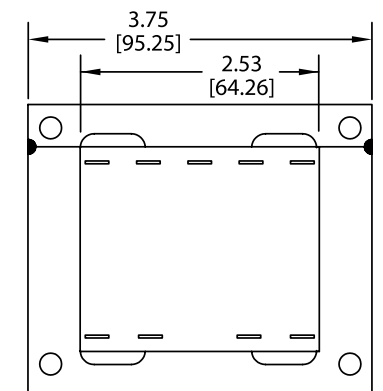
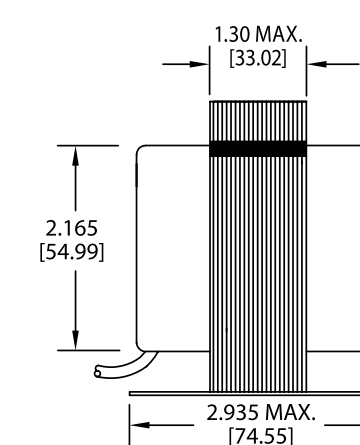
### 230 and 460VA Models



460VA Model



ALL LEADS 18AWG—UNLESS OTHERWISE SPECIFIED				
LEAD NO.	1	1A	2	3
VOLTAGE	COM	COM	277/OUT	480/IN
COLOR	WHT	WHT	BRN	BLK/RED
LENGTH	12.0	12.0	12.0	12.0
STRIP LENGTH	.50	.50	.50	.50



# Autotransformer for Lighting Ballasts



# Autotransformer for Lighting Ballasts



## KEY FEATURES

Step-down 480 VAC, 60 Hz. line voltage to 277VAC

Available in 230VA and 460VA models

Excellent regulation in a cost-effective design

Welded brackets for mounting convenience

Color-coded leads for wiring



## DESCRIPTION

These 4500 series autotransformers are designed to step-down 480 VAC, 60Hz. line voltage to 277VAC for lighting ballast applications. The single-winding devices are available in 230VA and 460VA models. They incorporate butt stack and weld lamination construction with a molded bobbin. The molded coil cover provides integral strain relief for the leads.

## APPLICATIONS

Fluorescent fixture ballasts in commercial lighting systems

## ELECTRICAL

Primary Voltage: 480 volts AC  
Secondary Voltage: 277 volts AC

Frequency: 60 Hz.

Ratings: 230 and 460VA

Insulation Class: UL Class B (130°C)

## MECHANICAL

Approx. Weight: 230VA model: 2.25 lbs. (1.02 kg)  
460VA model: 4.25 lbs. (1.93 kg)

Finish: Corrosion resistant varnish

Termination: 18AWG stranded leads 12.0 in (305 mm) long, stripped 0.5 in (123.7 mm)

## STANDARDS & SPECS

UL Component Recognized to US and Canadian standards, File E102980

## PRODUCT OFFERING

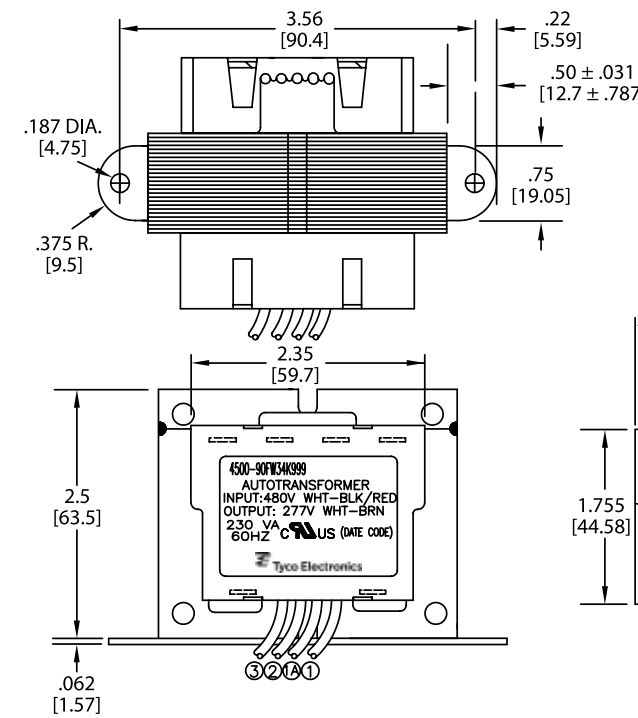
The following standard part numbers are available:

230VA model	4500-90FW34K999	1611516-8
460VA model	4500-90FX28K999	1611516-7

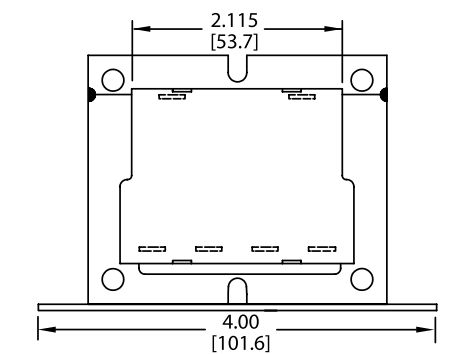
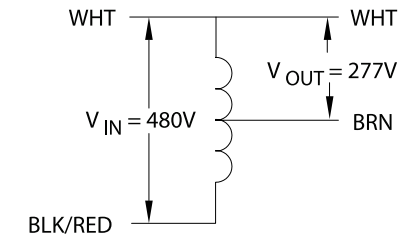
Other sizes, termination and mounting options available on a special order basis.

## PRODUCT DIMENSIONS & SCHEMATIC

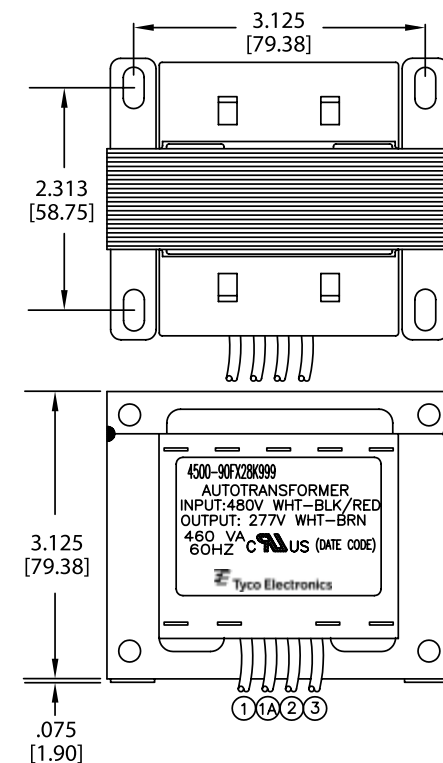
230VA Model



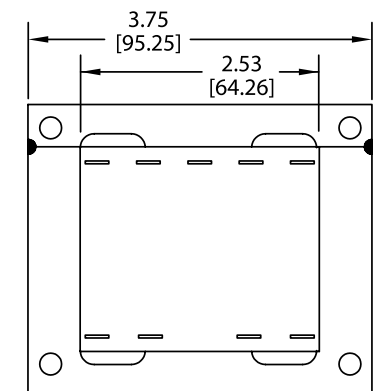
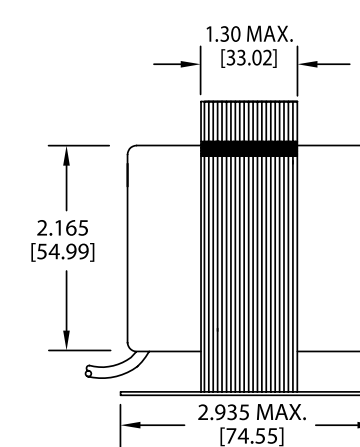
## 230 and 460VA Models



460VA Model



ALL LEADS 18AWG—UNLESS OTHERWISE SPECIFIED				
LEAD NO.	1	1A	2	3
VOLTAGE	COM	COM	277/OUT	480/IN
COLOR	WHT	WHT	BRN	BLK/RED
LENGTH	12.0	12.0	12.0	12.0
STRIP LENGTH	.50	.50	.50	.50







## X-ON Electronics

Largest Supplier of Electrical and Electronic Components

*Click to view similar products for [Autotransformers](#) category:*

*Click to view products by [TE Connectivity](#) manufacturer:*

Other Similar products are found below :

[1-150](#) [ESS 104](#) [ESS 120](#) [115](#) [ARM-3.0/1](#) [ATS1000VA-230/110V U](#) [ATS1500VA-230/110V U](#) [ATS1500VA-230/110V U+UMS](#)  
[ATS200VA-230/110V](#) [ATS300VA-230/110V](#) [ATS50VA-230/110V](#) [ATS600VA-230/110V](#) [TS50-230V/115V-001](#) [HSN0103-1.25KW](#)  
[HSN0203-1.82KW](#) [OIEA1](#) [OIEA15](#) [OIEA3](#) [OIEA8](#) [N-1000MG](#) [N-3MG](#) [N-4MG](#) [N-5MG](#) [N-6U](#) [N-7MG](#) [N-150MG](#) [170](#) [1100-0F](#) [175-0F](#)  
[115-0F](#) [112-0F](#) [ATS25-230V/115V-001](#) [ATST1000-230V/115V-001](#) [ATST1000-230V/115V-002](#) [ATST100-230V/115V-001](#) [ATST100-](#)  
[230V/115V-002](#) [ATST1500-230V/115V-001](#) [ATST1500-230V/115V-002](#) [ATST2000-230V/115V-001](#) [ATST2000-230V/115V-002](#)  
[ATST200-230V/115V-001](#) [ATST3000-230V/115V-001](#) [ATST3000-230V/115V-002](#) [ATST3500-230V/115V-002](#) [ATST400-230V/115V-001](#)  
[ATST400-230V/115V-002](#) [ATST600-230V/115V-001](#) [ATST600-230V/115V-002](#) [TST 150-230V/115V-002](#) [VP-1000VA](#)