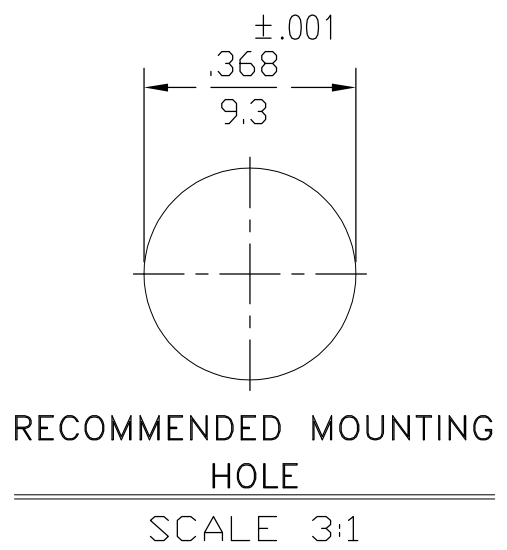


SUPERCEDED BY
CUSTOMER PRINT
1059506



DESIGNED FOR USE WITH .085 S.R.	
CABLE ENTRY DIAMETER MINIMUM	
HOUSING	.089
CONTACT	.0214

REVISIONS			
REV	DESCRIPTION	DATE	APPROVED
A1	REVISED PER ECO 08-020996	12/16/2008	JO

NOTES:

- CAPTURED CENTER CONTACT

.XXX = in
XX.X = mm (REF)

COMPONENT	MATERIAL	FINISH
HOUSING, OUTER MOUNTING NUT WASHER	STAINLESS STEEL PER ASTM-A484 AND ASTM- A582, TYPE 303	PASSIVATE PER QQ-P-35
RETAINING RING	STAINLESS STEEL	PASSIVATE PER QQ-P-35
HOUSING, INNER	STAINLESS STEEL PER ASTM-A484 AND ASTM- A582, TYPE 303	GOLD PLATE PER MIL-G-45204
DIELECTRIC	TFE FLUOROCARBON PER ASTM-D-1457	N/A
CENTER CONTACT	BERYLLIUM COPPER PER ASTM-B-196 OR ASTM-B-197, ALLOY C17300, CONDITION H	GOLD PLATE PER MIL-G-45204
CONTACT SLEEVE	BERYLLIUM COPPER PER ASTM-B-196, ALLOY C17300, CONDITION H	GOLD PLATE PER MIL-G-45204
CONTACT RING	BERYLLIUM COPPER PER ASTM-B-194, ALLOY C17200, CONDITION H	GOLD PLATE PER MIL-G-45204
LOCKWASHER	CARBON STEEL 1050	NICKEL PLATE PER QQ-N-290
SPRING	MUSIC WIRE	NICKEL PLATE PER QQ-N-290

UNLESS OTHERWISE SPECIFIED DIMENSIONS ARE IN INCHES	DRAWN BY J.B.	DATE 9/10/87		AMP Incorporated			
	CHECKED BY M.H/M.	9/16/87		140 Fourth Avenue Waltham, MA 02451-7599			
FRAC. ± 1/64	DEC. ± .005	ANGLES ± 1'	APP'D BY B.A.R.	9/16/87			
These drawings and speci- fications are the property of M/A CDM Interconnect Div. and shall not be reproduced or copied or used in whole or in part as the basis for the manufacture or sale o f item(s) without written permission.	USE ASS'Y PROCEDURE		TITLE DSP FLOATING PANEL FEEDTHRU CABLE JACK DIRECT SOLDER ATTACHMENT				
	408-04596 (45-047)		NO. AP.	SIZE B	CODE IDENT NO. 26805	4522-7985-02	REV A1
			SCALE 6:1			SHEET 1 OF 1	

X-ON Electronics

Largest Supplier of Electrical and Electronic Components

Click to view similar products for [RF Connectors / Coaxial Connectors](#) category:

Click to view products by [TE Connectivity](#) manufacturer:

Other Similar products are found below :

[8915-1511-000](#) [89674-0827](#) [6001-7071-019](#) [6002-7051-003](#) [6002-7551-202](#) [6059674-1](#) [619550-1](#) [630059-000](#) [M39030/3-01N](#) [6500-7071-046](#) [6769](#) [CX050L2AQ](#) [7002-1541-010](#) [7002-1542-011](#) [7004-1512-000](#) [7009-1511-004](#) [7010-1511-000](#) [7029-1511-060](#) [7101-1541-010](#) [7101-1571-002](#) [7145-1521-002](#) [7203-1571-003](#) [7209-1511-011](#) [7210-1511-015](#) [7210-1511-019](#) [73137-5015](#) [73216-2241](#) [73404-2300](#) [7405-1521-005](#) [7405-1521-802](#) [8527](#) [8547](#) [FS11V](#) [877931](#) [8808-1511-001](#) [9049-9513-000](#) [9074-9513-000](#) [9101-9573-002](#) [910A205F](#) [9130-9573-002](#) [PL11SC-026](#) [PL375-33](#) [PL40-5](#) [PL74C-221](#) [PL75MC-217](#) [PL803-7](#) [1200690078](#) [1-201144-1](#) [R107003010W](#) [R110A172100](#)