



## MS4525

### SPECIFICATIONS

- **PCB Mounted Pressure Transducers**
- **Amplified Ratiometric Analog Output**
- **Differential, Gage, Absolute, Compound, & Vacuum**
- **Temperature Compensated**
- **3.3 or 5.0 V<sub>DC</sub> Supply Voltage**

### FEATURES

- PSI Pressure Ranges
- PCB Mountable
- High Level Analog Output
- Barbed Pressure Ports

### APPLICATIONS

- Blocked Filter Detection
- Altitude and Airspeed Measurements
- Medical Instruments
- Fire Suppression System
- Panel Meter
- Air Movement/Environmental Controls
- Pneumatic Controls

The MS4525 is a small, ceramic based, PCB mounted pressure transducer from TE Connectivity. The transducer is built using our proprietary UltraStable™ process and the latest CMOS sensor conditioning circuitry to create a low cost, high performance transducer designed to meet the strictest requirements from OEM customers.

The MS4525 is fully calibrated and temperature compensated with a total error band (TEB) of less than 1.0% over the compensated range. The sensor operates from single supply of either 3.3 or 5.0V<sub>DC</sub> and requires a single external component for proper operation.

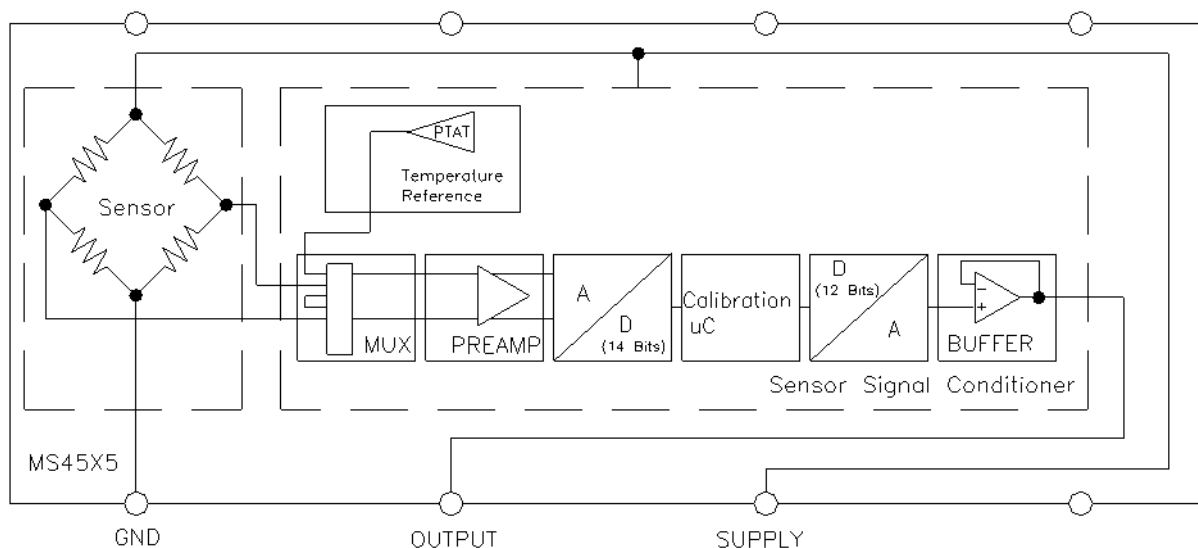
The rugged ceramic transducer is available in side port, top port, and manifold mount and can measure absolute, gage, differential, or compound pressure from 1 to 150psi. The 1/8" barbed pressure ports mate securely with 3/32" ID tubing.

## STANDARD RANGES (PSI)

Pressure	Absolute	Gage	Differential	Compound	Vacuum	Option Availability
1		DS, SS, TP, MM	DS, SS, TP			-F
2		DS, SS, TP, MM	DS, SS, TP			-F
5		DS, SS, TP, MM	DS, SS, TP			-F
15	SS, TP	DS, SS, TP, MM	DS, MM	SS, TP	SS, TP, DS	-F
30	SS, TP	DS, SS, TP, MM	DS, MM	SS, TP		-F
50	SS, TP	DS, SS, TP, MM	DS, MM	SS, TP		-F
100	SS, TP	DS, SS, TP, MM	DS, MM	SS, TP		-F
150	SS, TP	DS, SS, TP, MM	DS, MM	SS, TP		-F

See Package Configurations: DS= Dual Side Port, SS= Single Side Port, TP= Top Port, MM= Manifold Mount  
 Pin Style "L" is only available SS and MM port types.  
 Pin Style "C" is only available SS, TP and MM port types.

## BLOCK DIAGRAM



## ABSOLUTE MAXIMUM RATINGS

Parameter	Conditions	Min	Max	Unit	Notes
Supply Voltage	T <sub>A</sub> = 25 °C	2.7	5.5	V	
Output Current	T <sub>A</sub> = 25°C		3	mA	
Load Resistance (R <sub>L</sub> )	T <sub>A</sub> = 25°C	10		kΩ	
Storage Temperature		-40	+125	°C	
Humidity	T <sub>A</sub> = 25°C		95	%RH	Non Condensing
Overpressure	T <sub>A</sub> = 25 °C, both Ports	Not to Exceed 300		psi	
Burst Pressure	T <sub>A</sub> = 25 °C, Port 1			psi	See Table 1
ESD	HBM	-4	+4	kV	EN 61000-4-2
Solder Temperature	250°C, 5 sec max.				

### TABLE 1- BURST PRESSURE BY RANGE AND PACKAGE STYLE

Range	DS	TP, SS, MM	Unit
001	20	20	psi
002	20	20	psi
005	15	20	psi
015	45	90	psi
030	90	200	psi
050	150	300	psi
100	300	300	psi
150	300	300	psi

## ENVIRONMENTAL SPECIFICATIONS

Parameter	Conditions
Mechanical Shock	Mil Spec 202F, Method 213B, Condition C, 3 Drops
Mechanical Vibration	Mil Spec 202F, Method 214A, Condition 1E, 1Hr Each Axis
Thermal Shock	100 Cycles over Storage Temperature, 30 minute dwell
Life	1 Million FS Cycles
MTTF	>10Yrs, 70 °C, 1.188 Million Pressure Cycles, 120%FS Pressure

## PERFORMANCE SPECIFICATIONS

Supply Voltage<sup>1</sup>: 5.0V or 3.3 V<sub>DC</sub>

Ambient Temperature: 25°C (unless otherwise specified)

PARAMETERS	MIN	TYP	MAX	UNITS	NOTES
Output	0.500		4.500	V	1,2,3
	0.250		4.750		
Accuracy	-0.25		0.25	%Span	2
Total Error Band (TEB)	-1.0		1.0	%Span	3,5
Supply Current		3		mA	5
Long Term Stability (Offset & Span)		±0.5		%Span	
Compensated Temperature	-10		+85	°C	4
Operating Temperature	-25		+105	°C	
Response Time		1		mS	5
Weight		3		grams	
Start time to data ready			5	ms	

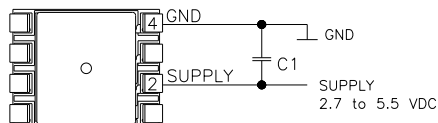
Media

Non-Corrosive Dry Gases Compatible with Ceramic, Silicon, Borosilicate Glass, RTV, Gold, Aluminum and Epoxy. See "Wetted Material by Port Designation" chart below.

### Notes

1. Proper operation requires an external capacitor placed as shown in Connection Diagram. Output is ratiometric to supply voltage variations of less than 10%.
2. The maximum deviation from a best fit straight line (BFSL) fitted to the output measured over the pressure range at 25°C. Includes all errors due to pressure non linearity, hysteresis, and non repeatability.
3. Total error band includes all accuracy errors, thermal errors over the compensated temperature range, and span and offset calibration tolerances. For ideal sensor output with respect to input pressure, reference Pressure Transfer Function charts below. TEB values are valid only at the calibrated supply voltage.
4. For errors beyond the compensated temperature range, see Extended Temperature Multiplier chart below.
5. This product can be configured for custom OEM requirements, contact factory for lower power consumption or higher accuracy.
6. Long term stability over a year period with constant voltage and temperature
7. Pressure connection: barbed ports are designed for use with tubing 3/32" ID, 60-70A durometer (PVC).
8. For details on environmental conditions and pressure type descriptions, reference to relative tables.

## CONNECTION DIAGRAM

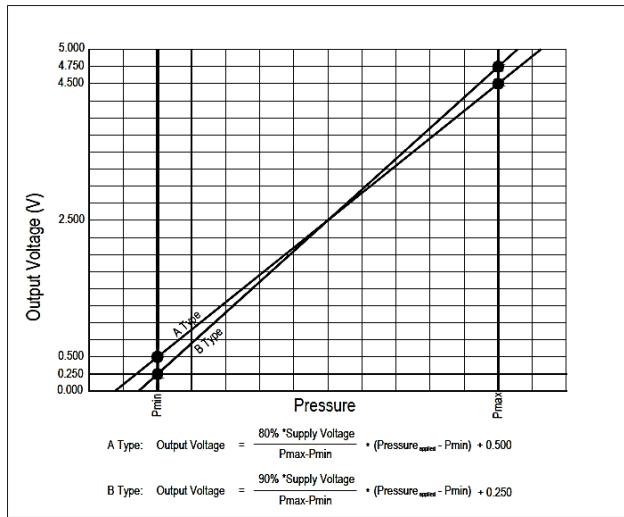


### Notes:

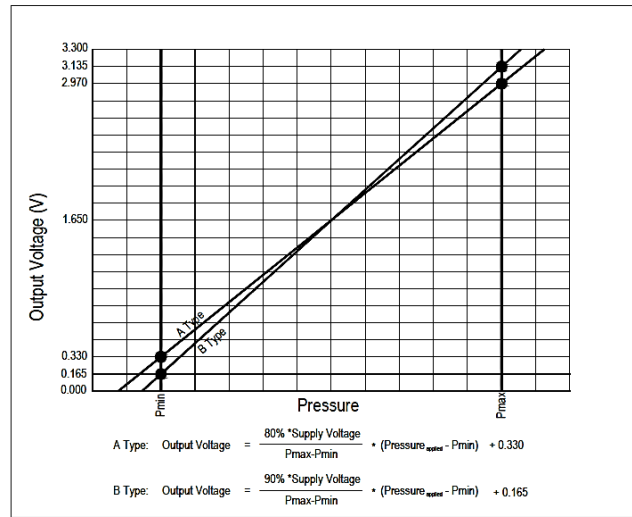
1. Place 100nF capacitor between Supply and GND to within 2 cm of sensor.

## PRESSURE AND TEMPERATURE TRANSFER FUNCTION

Pressure Transfer Functions, Supply=5V



Pressure Transfer Functions, Supply=3.3V



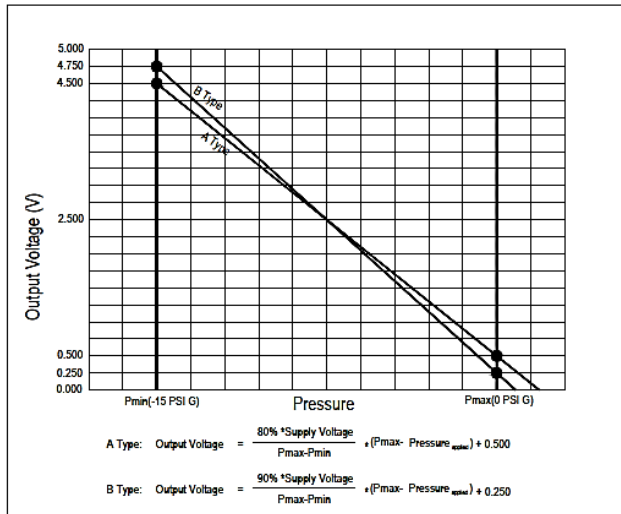
### Sensor Output at Significant Percentages, (Vs=5.00)

OUTPUT (%Vs)	Output Type A (psi)	Output Type B (psi)	Voltage (V)
0	$P_{MIN} - (P_{MAX} - P_{MIN}) * 10/80$	$P_{MIN} - (P_{MAX} - P_{MIN}) * 5/90$	0.000
5		$P_{MIN}$	0.250
10	$P_{MIN}$		0.500
50			2.500
90	$P_{MAX}$		4.500
95		$P_{MAX}$	4.750
100	$P_{MAX} + (P_{MAX} - P_{MIN}) * 10/80$	$P_{MAX} + (P_{MAX} - P_{MIN}) * 5/90$	5.000

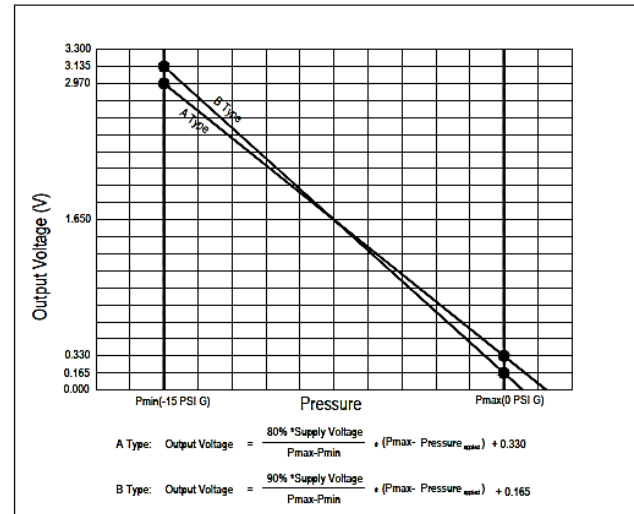
### Sensor Output at Significant Percentages, (Vs=3.30)

Output (%Vs)	Output A (psi)	Output B (psi)	Voltage (V)
0	$P_{MIN} - (P_{MAX} - P_{MIN}) * 10/80$	$P_{MIN} - (P_{MAX} - P_{MIN}) * 5/90$	0.000
5		$P_{MIN}$	0.165
10	$P_{MIN}$		0.330
50			1.650
90	$P_{MAX}$		2.970
95		$P_{MAX}$	3.315
100	$P_{MAX} + (P_{MAX} - P_{MIN}) * 10/80$	$P_{MAX} + (P_{MAX} - P_{MIN}) * 5/90$	3.300

Vacuum Series Transfer Functions, Supply=5V



Vacuum Series Transfer Functions, Supply=3.3V



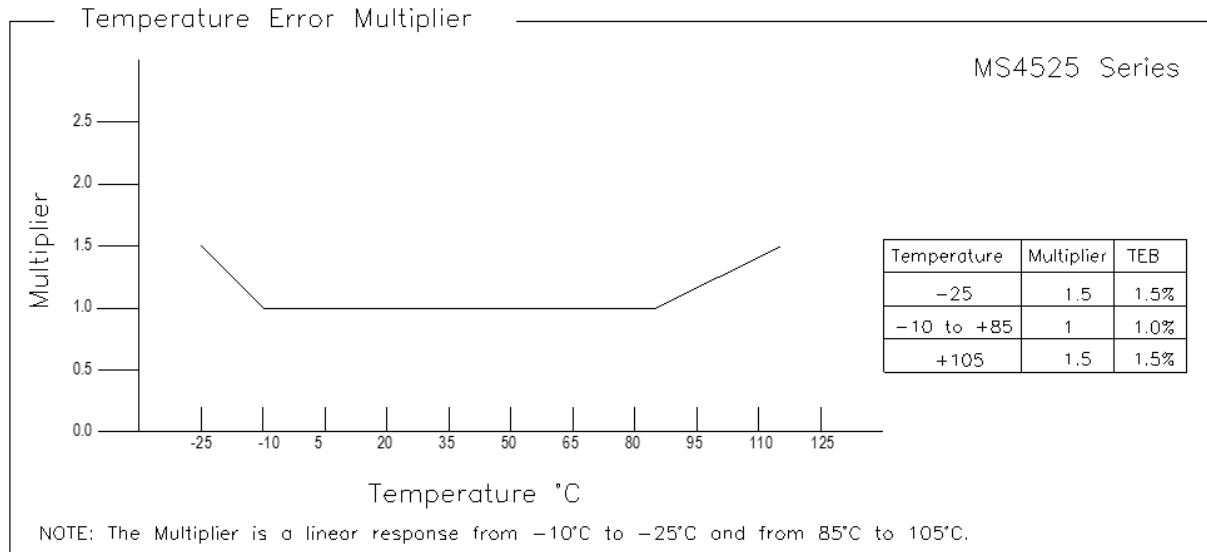
**Sensor Output at Significant Percentages, (Vs=5.00)**

% Output (%Vs)	Output Type A [psiG]	Output Type B [psiG]	Voltage [V]
0	1.6875	0.833	0.000
5		0	0.250
10	0		0.500
50			2.500
90	-15		4.500
95		-15	4.750
100			5.000

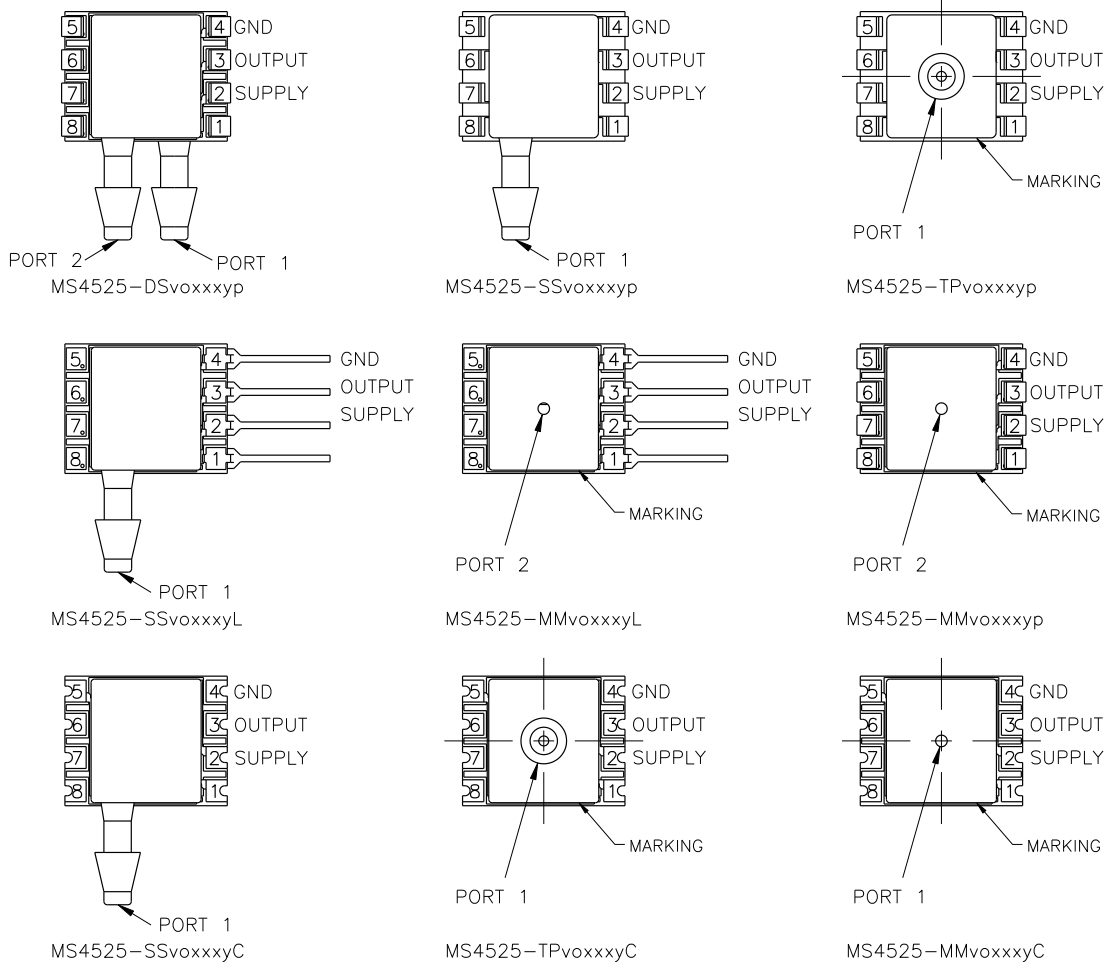
**Sensor Output at Significant Percentages, (Vs=3.30)**

% Output (%Vs)	Output Type A [psiG]	Output Type B [psiG]	Voltage [V]
0	1.6875	0.833	0.000
5		0	0.165
10	0		0.330
50			1.650
90	-15		2.970
95		-15	3.315
100			3.300

## EXTENDED TEMPERATURE MULTIPLIER CHART



## PACKAGE, PINOUT & PRESSURE TYPE CONFIGURATION



Pin Name	Pin	Function
SUPPLY	2	Positive Supply Voltage
OUTPUT	3	Analog Output
GND	4	Ground
	1, 5-8	No Connection

### Pressure Type Description

Pressure Type	P <sub>min</sub>	P <sub>max</sub>	Description
Absolute	0psiA	+P <sub>range</sub>	Output is proportional to the difference between 0psiA (P <sub>min</sub> ) and pressure applied to Port 1.
Differential/ Bidirectional	-P <sub>range</sub>	+P <sub>range</sub>	Output is proportional to the difference between Port 1 and Port 2. Output swings positive when Port 1 > Port 2. Output is 50% of supply voltage when Port 1 = Port 2.
Gage	0psiG	+P <sub>range</sub>	Output is proportional to the difference between 0psiG (P <sub>min</sub> ) and Port 1. Output swings positive when Port 1 > Port 2.
Compound	-15psiG	+P <sub>range</sub>	Output is proportional to the difference between -15psiG pressure (P <sub>min</sub> ) and pressure applied to Port 1.
Vacuum	-15psiG	+0psiG	Output is inversely proportional to the difference between -15psiG (P <sub>min</sub> ) and pressure applied to Port 1.

P<sub>range</sub> is equal to the maximum full scale pressure specified in the ordering information.

### WETTED MATERIAL BY PORT DESIGNATION

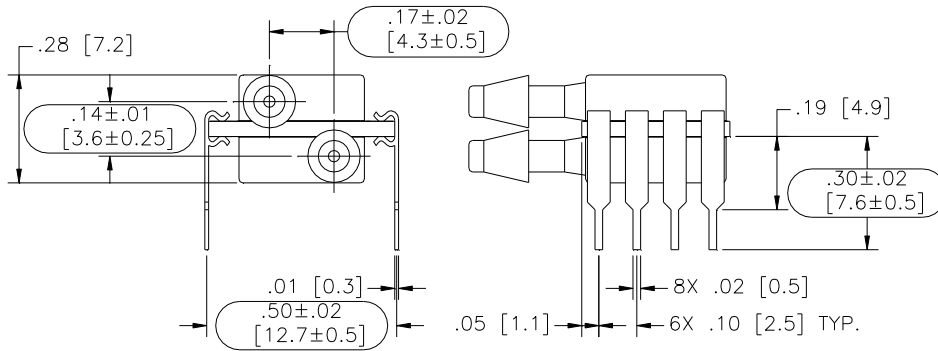
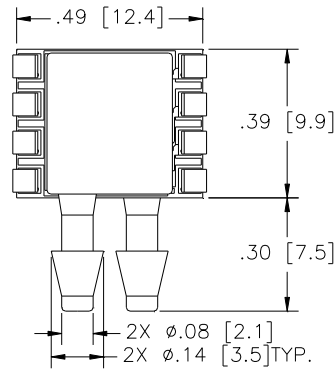
Style	Port	Material							
		Ceramic	Silicon	Borosilicate	Glass	RTV	Gold	Aluminum	Epoxy
DS, MM	Port 1	X	X	X	X	X			X
	Port 2	X	X	X	X	X	X	X	X
SS, TP, SM	Port 1	X	X	X	X	X	X	X	X

"X" Indicates Wetted Material

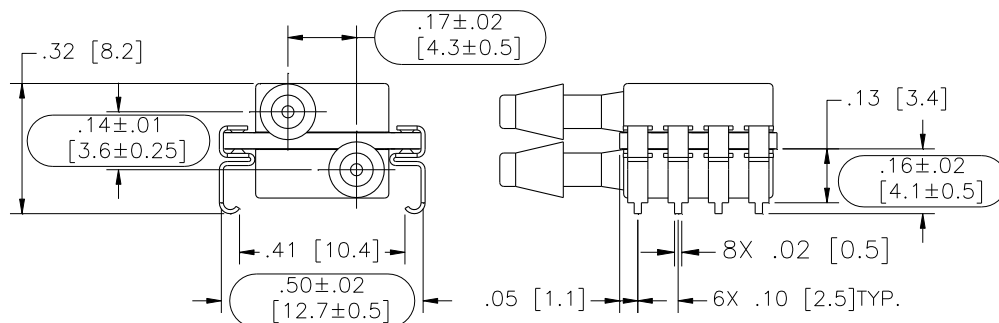
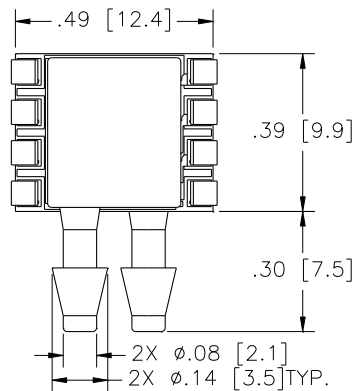


## DIMENSIONS

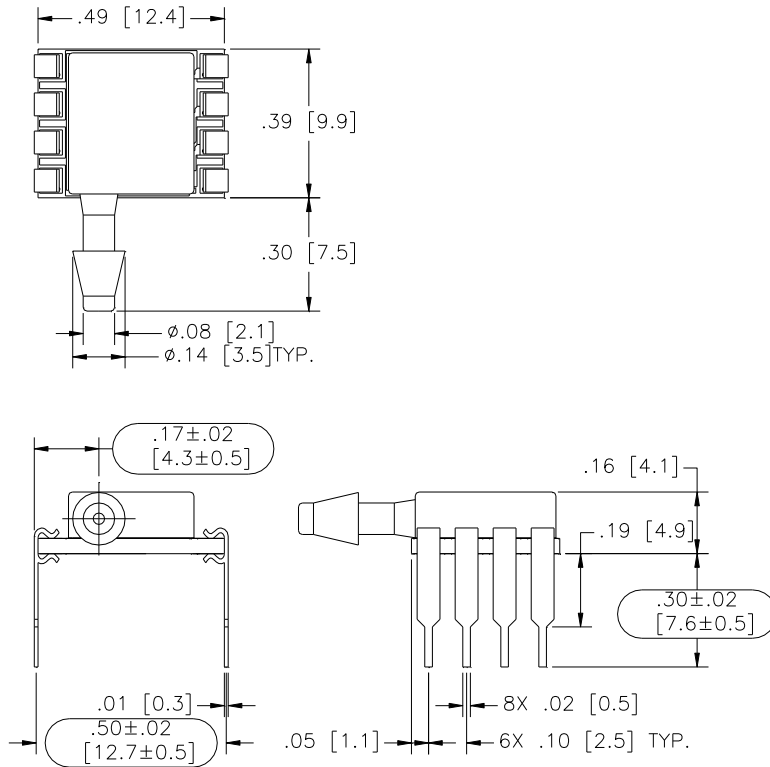
(in INCHES [mm])  
 Model: MS4525-DSvoxxxYP



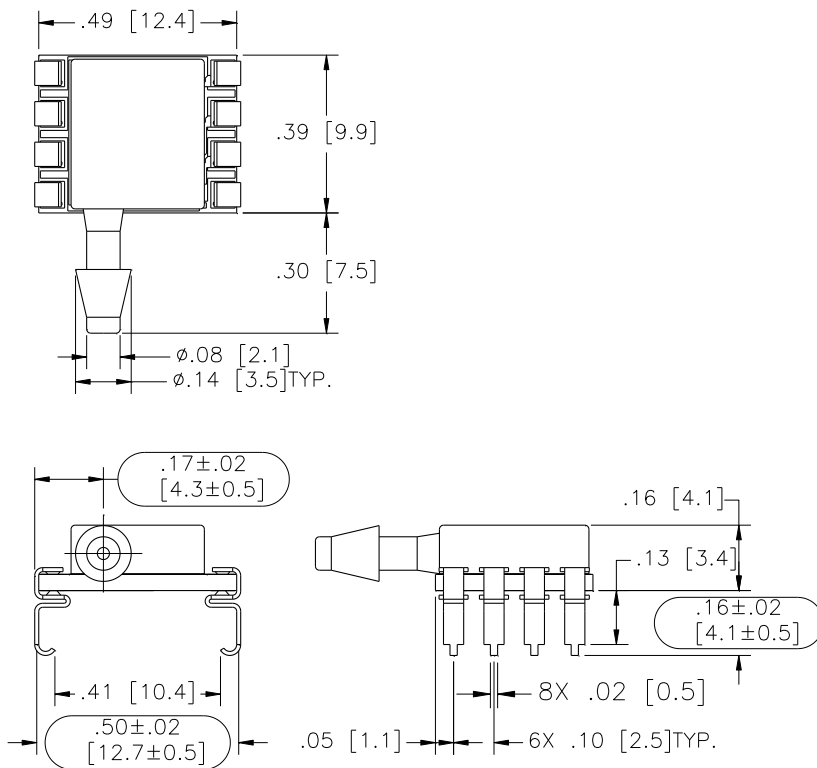
Model: MS4525-DSvoxxxYS



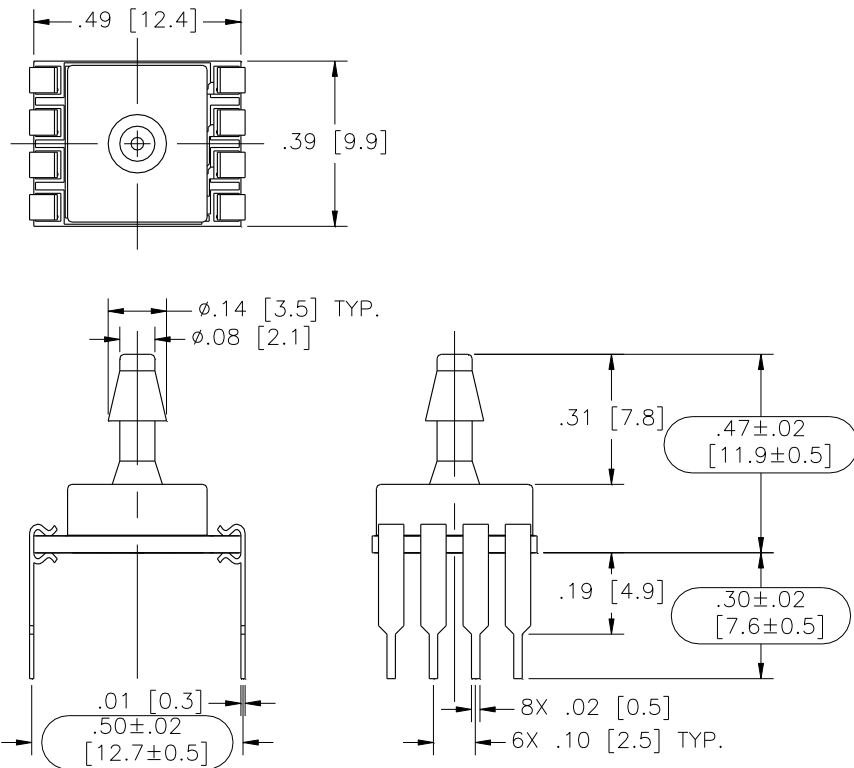
Model: MS4525-SSvoxxxxyP



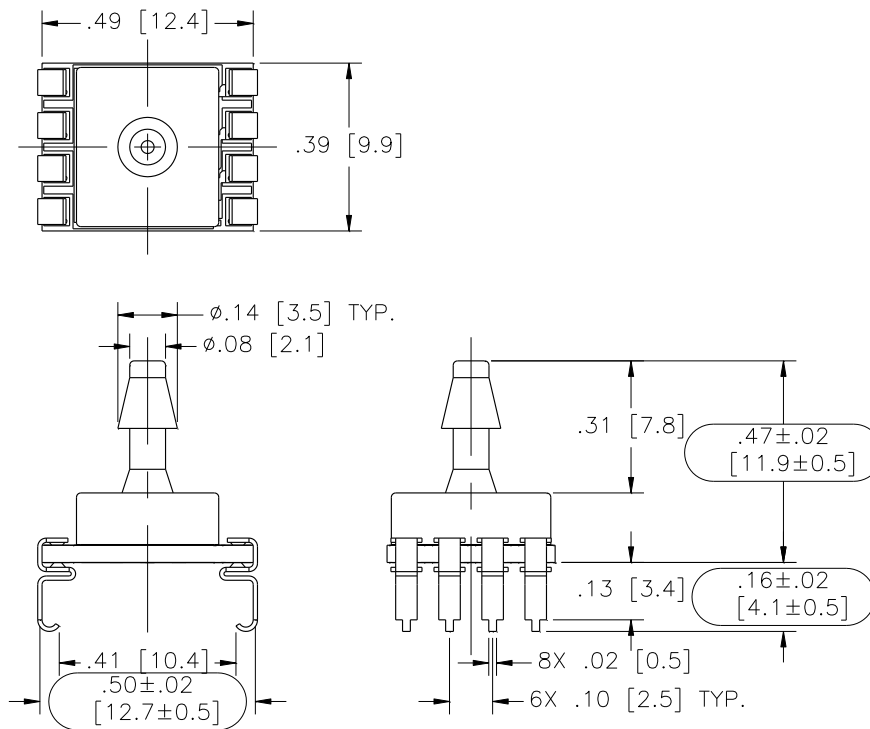
Model: MS4525-SSvoxxxxyS



Model: MS4525-TPvoxxxyp

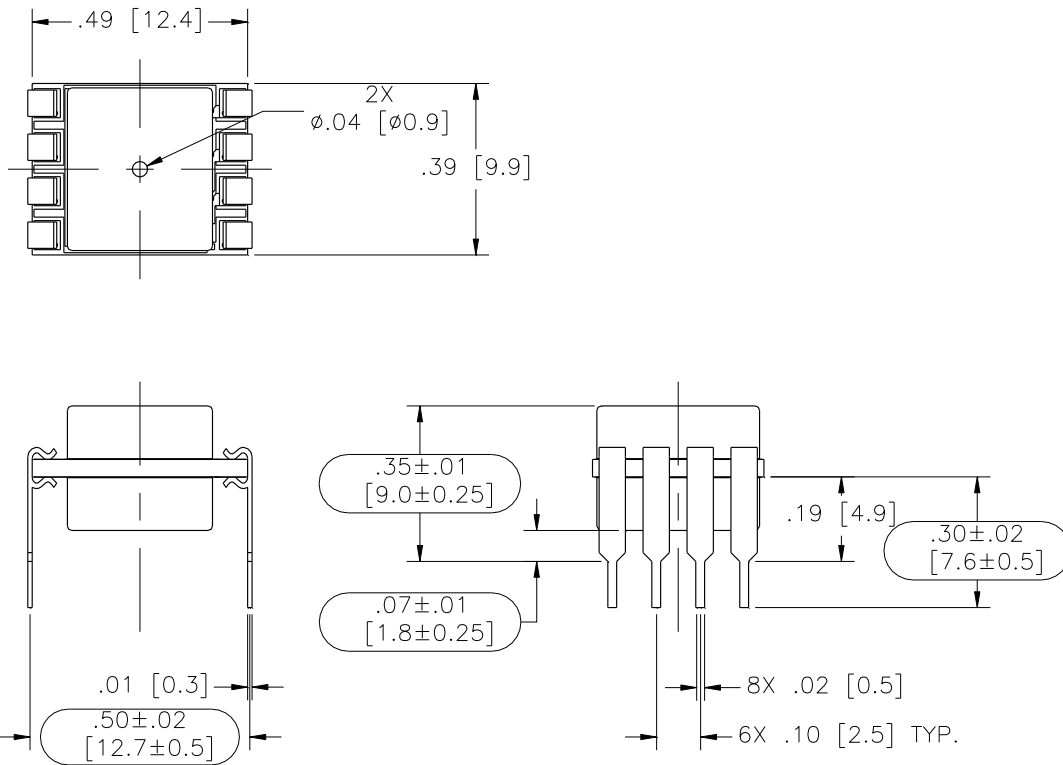


Model: MS4525-TPvoxxxys

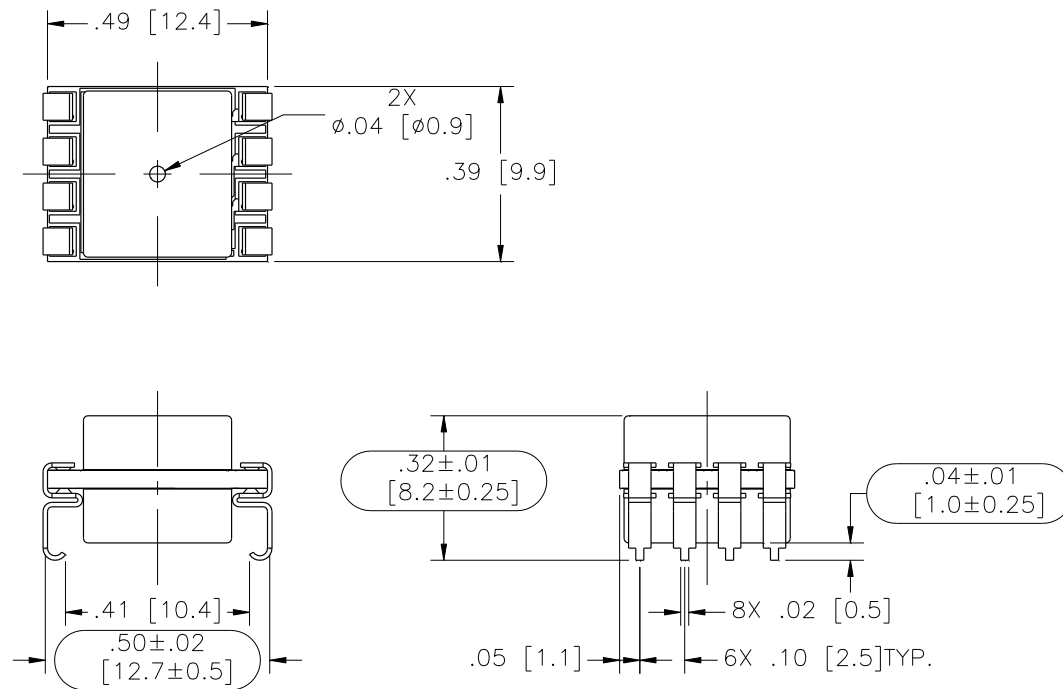




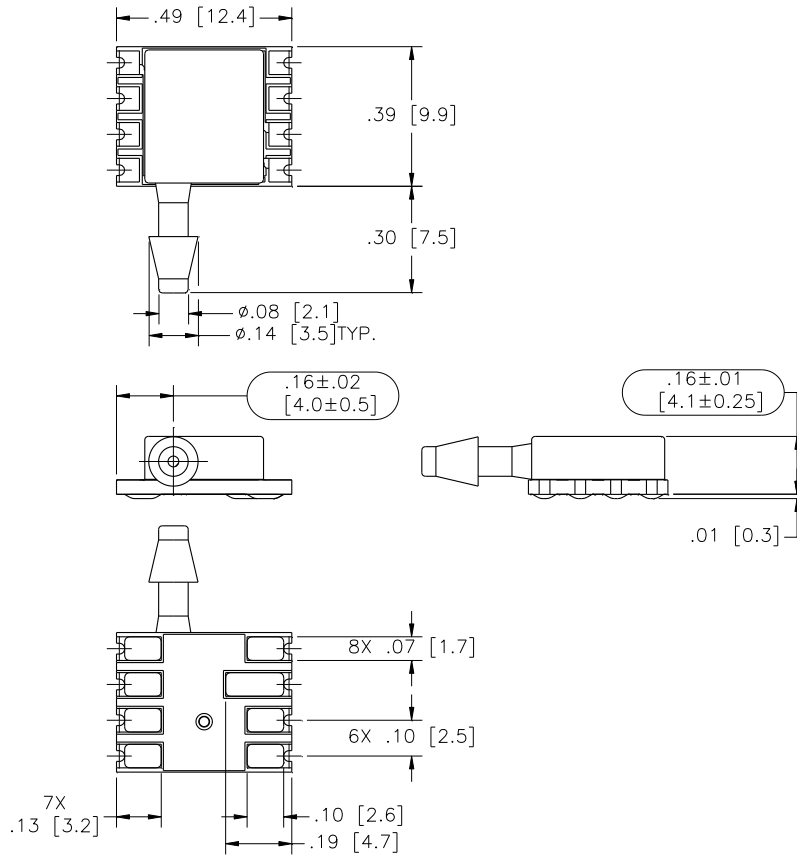
Model: MS4525-MMvoxxxyP



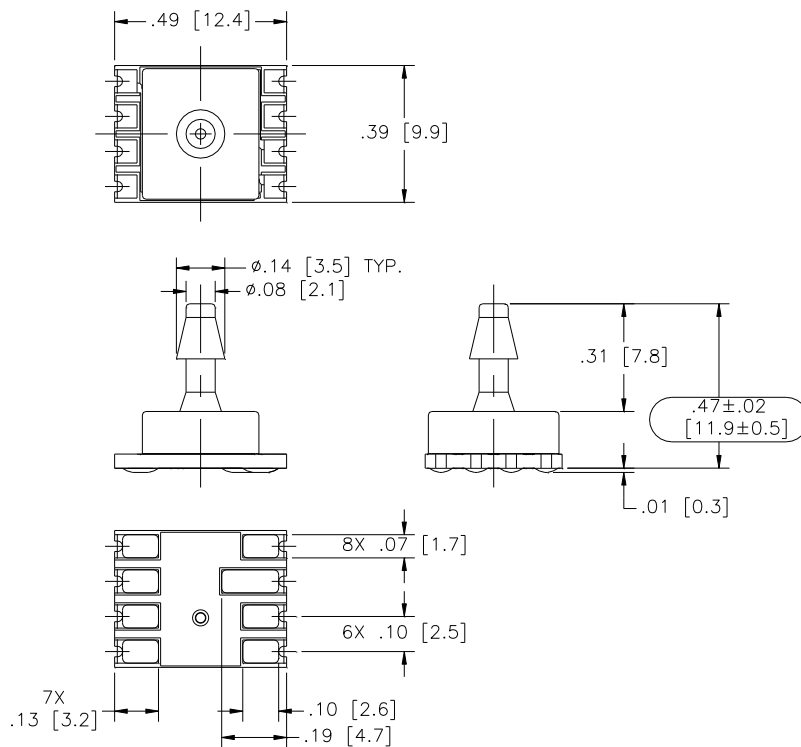
Model: MS4525-MMvoxxxyS



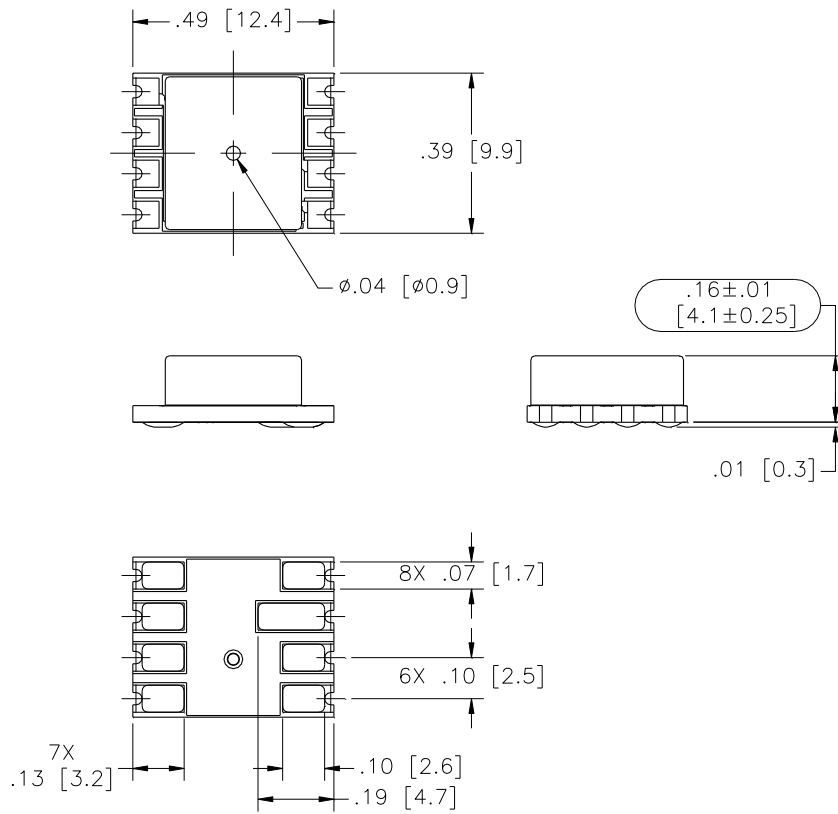
Model: MS4525-SSvoxxxyC



Model: MS4525-TPvoxxxyC



Model: MS4525-MMvxxxxxC



## AVAILABLE OPTIONS

### Gel Coat (-F Option)

The MS4525 is designed for nonionic and clean dry air applications. Select this option for added protection in high humidity or slightly corrosive environments with the application of a silicone gel elastomer to sensor and ASIC. For questions concerning media compatibility, contact the factory.

## ORDERING INFORMATION

4525 – TP 3 A 030 C P F

Package Type	
SS	Single Sideport
DS	Dual Sideport
TP	Top Port
MM	Manifold Mount

Supply Voltage	
3	3.3V <sub>DC</sub>
5	5.0 V <sub>DC</sub>

Output Type	
A	10% to 90%
B	5% to 95%

Pressure Range [psi]
001
002
005
015
030
050
100
150

Option Type	
F	Gel Coating
[Blank]	No Option

Pin Type	
P	Thru Hole
S	J lead
L	In Line
C	Castellation

Pressure Type	
G	Gage
A	Absolute
D	Differential
C	Compound
V	Vacuum

**NORTH AMERICA**

Measurement Specialties, Inc.,  
a TE Connectivity company  
Tel: 1 800-522-6752  
Email: [customercare.frmt@te.com](mailto:customercare.frmt@te.com)

**EUROPE**

Measurement Specialties (Europe), Ltd.,  
a TE Connectivity Company  
Tel: +31 73 624 6999  
Email: [customercare.bevx@te.com](mailto:customercare.bevx@te.com)

**ASIA**

Measurement Specialties (China) Ltd.,  
a TE Connectivity company  
Tel: 86 0400-820-6015  
Email: [customercare.shzn@te.com](mailto:customercare.shzn@te.com)

**TE.com/sensorsolutions**

Measurement Specialties, Inc., a TE Connectivity company.

Measurement Specialties, TE Connectivity, TE Connectivity (logo) and EVERY CONNECTION COUNTS are trademarks. All other logos, products and/or company names referred to herein might be trademarks of their respective owners.

The information given herein, including drawings, illustrations and schematics which are intended for illustration purposes only, is believed to be reliable. However, TE Connectivity makes no warranties as to its accuracy or completeness and disclaims any liability in connection with its use. TE Connectivity's obligations shall only be as set forth in TE Connectivity's Standard Terms and Conditions of Sale for this product and in no case will TE Connectivity be liable for any incidental, indirect or consequential damages arising out of the sale, resale, use or misuse of the product. Users of TE Connectivity products should make their own evaluation to determine the suitability of each such product for the specific application.

© 2015 TE Connectivity Ltd. family of companies All Rights Reserved.



## X-ON Electronics

Largest Supplier of Electrical and Electronic Components

*Click to view similar products for [Board Mount Pressure Sensors](#) category:*

*Click to view products by [TE Connectivity](#) manufacturer:*

Other Similar products are found below :

[6407-249V-17343P](#) [6407-250V-09273P](#) [6407-250V-09343P](#) [80527-25.0H2-05](#) [80541-B00000150-01](#) [80541-B00000200-05](#) [80554-00700100-05](#) [80568-00300050-01](#) [93.631.4253.0](#) [93.731.4353.0](#) [93.932.4553.0](#) [136PC15A1](#) [142PC95AW71](#) [142PC05DW70](#) [15PSI-G-4V1805-01A-L0N-B](#) [26PCBKT](#) [26PCCFA6D26](#) [26PCCFS2G](#) [26PCCVA6D](#) [93.632.7353.0](#) [93.731.3653.0](#) [93.931.4853.0](#) [93.932.4853.0](#) [SDP510-500PA](#) [185PC30DH](#) [20INCH-G-MV-MINI](#) [26PCAFJ3G](#) [26PCCEP5G24](#) [26PCCFJ3G](#) [26PCDFA3G](#) [26PCJEU5G19](#) [30INCH-D1-MV-MINI](#) [ASCX15AN-90](#) [ASCX15AN/SZ76114](#) [4426-015G](#) [4525-DS5A030DP](#) [DCAL401DN](#) [DCAL401GN](#) [4515-DS5A020DP](#) [XZ202798SSC](#) [XZ203676HSC](#) [6407-249V-09273P](#) [6407-249V-09343P](#) [6407-249V-17273P](#) [6407-250V-17273P](#) [6407-250V-17343P](#) [81717-00000050-05](#) [81794-B00001200-01](#) [82681-B00000100-01](#)