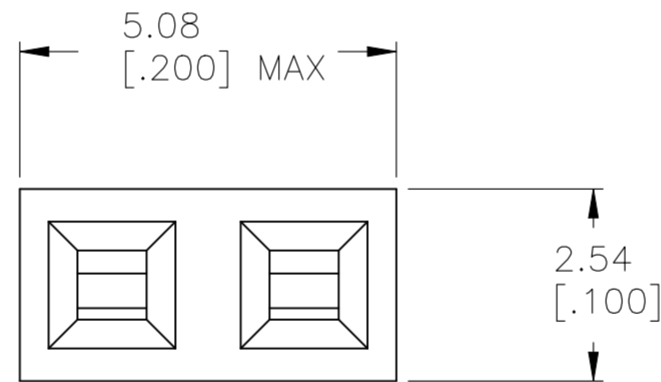
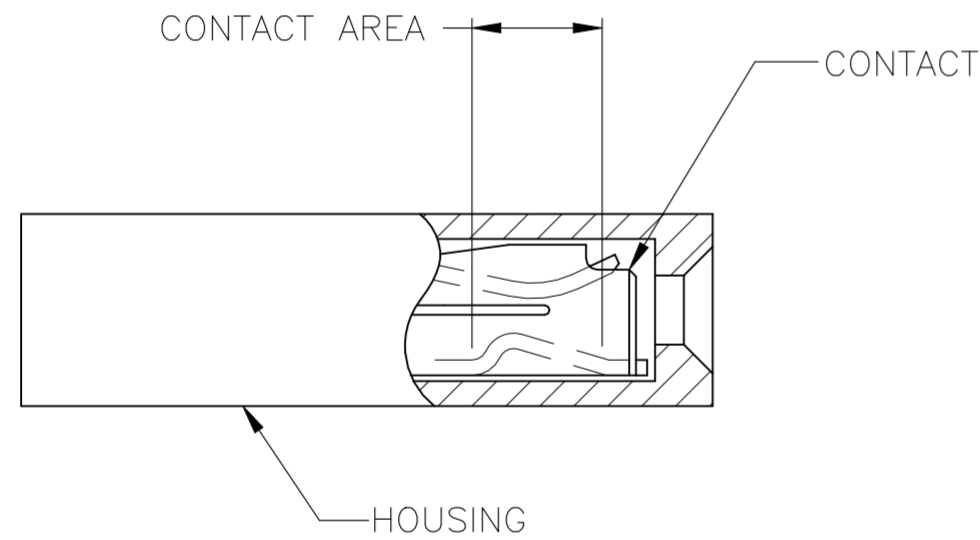
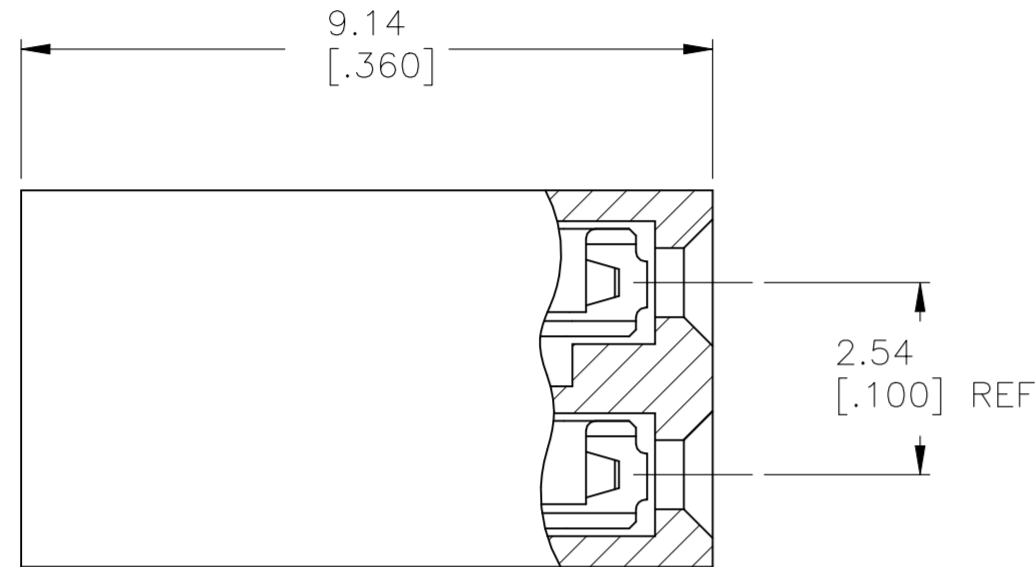


REVISIONS					
P	LTR	DESCRIPTION	DATE	DWN	APVD
	U	REVISED PER ECO-21-006201	28MAY2021	RK	JO



- 1 MATERIAL:
HOUSING: FLAME RETARDANT NYLON, 94V-0,
OR FLAME RETARDANT POLYESTER 94V-0.
CONTACT: PHOSPHOR BRONZE.
- 2 CONTACT PLATED WITH 0.00076[.000030] GOLD INLAY OVER
0.00076[.000030] NICKEL IN CONTACT AREA ONLY.
- 3 CONTACT PLATED WITH 0.0013[.000050] GOLD INLAY OVER
0.00076[.000030] NICKEL IN CONTACT AREA ONLY.
- 4 CONTACT PLATED WITH 0.00254[.000100] TIN/LEAD OVER ALL.
- 5 CONTACT PLATED WITH 0.00038[.000015] GOLD INLAY OVER
0.00076[.000030] NICKEL IN CONTACT AREA ONLY.
- 6 HOUSING CUT-OFF BURR NOT EXCEED 0.13[.005].
- 7 CONNECTOR MATES WITH 0.61[.024] TO 0.66[.026] SQUARE
PIN. PIN LENGTH 4.45[.175] MIN. TO 8.38[.330] MAX.
- 8 CONTACT PLATED WITH 0.00254[.000100] MATTE TIN OVER ALL.

SUPERSEDED BY 4-530153-1	8	RED	4-530153-5
		BLUE	4-530153-4
		YELLOW	4-530153-3
		NATURAL	4-530153-2
		BLACK	4-530153-1
SUPERCEDED BY 390088-2	5	BLACK	3-530153-2
SUPERSEDED BY 2-530153-2	4	RED	3-530153-0
		BLUE	2-530153-6
		YELLOW	2-530153-4
SUPERSEDED BY 2-530153-2	3	BLACK	2-530153-2
		NATURAL	2-530153-1
SUPERCEDED BY 390088-1	3	BLACK	1-530153-2
SUPERSEDED BY 530153-2	2	RED	1-530153-0
		BLUE	530153-6
		YELLOW	530153-4
		BLACK	530153-2
SUPERSEDED BY 530153-2		NATURAL	530153-1
FINISH		HOUSING COLOUR	PART NO

THIS DRAWING IS A CONTROLLED DOCUMENT.		DWN R.TALLEY 12MAR91	TE Connectivity	
DIMENSIONS: mm[INCHES]		CHK R.MILLER 19MAR91	TANDEM SPRING SHUNT CONNECTOR 2 POSITION, 2.54 [.100] CL	
TOLERANCES UNLESS OTHERWISE SPECIFIED:		APVD D.HUFFMAN 19MAR91	NAME	
0 PLC ± -	PRODUCT SPEC	108-9062		
1 PLC ± -	APPLICATION SPEC	114-1045		
2 PLC ± 0.25 [.010]	WEIGHT	-		
3 PLC ± -	FINISH	SEE TABLE		
4 PLC ± -	SCALE	A2 10:1		
ANGLES ± -	SHEET	1 OF 1		
MATERIAL	REV	U		
1	CUSTOMER DRAWING	SCALE 10:1 SHEET 1 OF 1 REV U		

X-ON Electronics

Largest Supplier of Electrical and Electronic Components

Click to view similar products for [Headers & Wire Housings](#) category:

Click to view products by [TE Connectivity](#) manufacturer:

Other Similar products are found below :

[892-18-020-10-001101](#) [58102-G61-06LF](#) [582553-1](#) [0009485154](#) [009176003701906](#) [0050291907](#) [LY20-4P-DT1-P1E-BR](#) [02.125.8002.8](#)
[609-3404](#) [61062-3](#) [61082-181009](#) [622-3653LF](#) [63453-116](#) [636-1030](#) [636-1427](#) [636-3427](#) [636-4007](#) [641938-9](#) [641991-4](#) [644827-2](#) [65817-](#)
[010LF](#) [65817-015LF](#) [65863-015LF](#) [66207-023LF](#) [67095-007LF](#) [67601157](#) [68645-018](#) [68648-049](#) [70.362.1628.0](#) [70-4210](#) [70-4226B](#) [70-](#)
[4853B](#) [707-5020](#) [707-5028](#) [71.350.2428.0](#) [71918-208LF](#) [71961-016LF](#) [733-134](#) [733-162](#) [754199-000](#) [760-3052](#) [787-8014-00](#) [79531-3000](#)
[FCN-360C032-B](#) [FCN-367T-T012/H](#) [FCN-723D010/2](#) [80.063.4001.1](#) [800-90-001-10-001000](#) [800-90-010-10-002000](#) [801-43-002-10-013000](#)