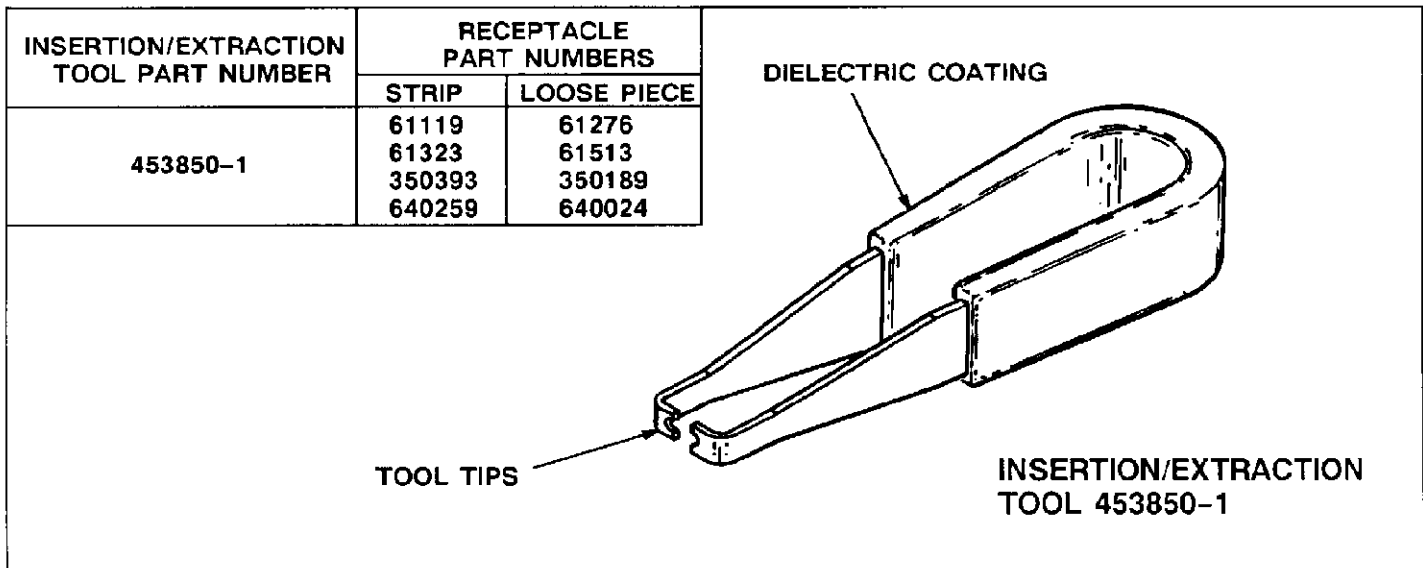


AMPAMP INCORPORATED
HARRISBURG, PA 17105

REDUCED FOR PACKAGING

IS 9382AMP*
INSERTION/EXTRACTION TOOL

453850-1

CUSTOMER HOTLINE
1 800 722-1111RELEASED
4-24-90**1. INTRODUCTION**

AMP Insertion/Extraction Tool 453850-1 is designed to insert and extract the AMP .058-Dia printed circuit (pc) board receptacles listed in Figure 1.

NOTE

All dimensions on this sheet are in inches.

Fig. 1

2. DESCRIPTION

The insertion/extraction tool, which is essentially a pair of tweezers with specifically designed tips, features a red dielectric coating in the area which is grasped by the operator. The tool tips grip the receptacle for insertion and extraction, thereby eliminating the strain that would normally be placed upon the crimped portion of the terminated wire if it were grasped for insertion or extraction of the receptacle.

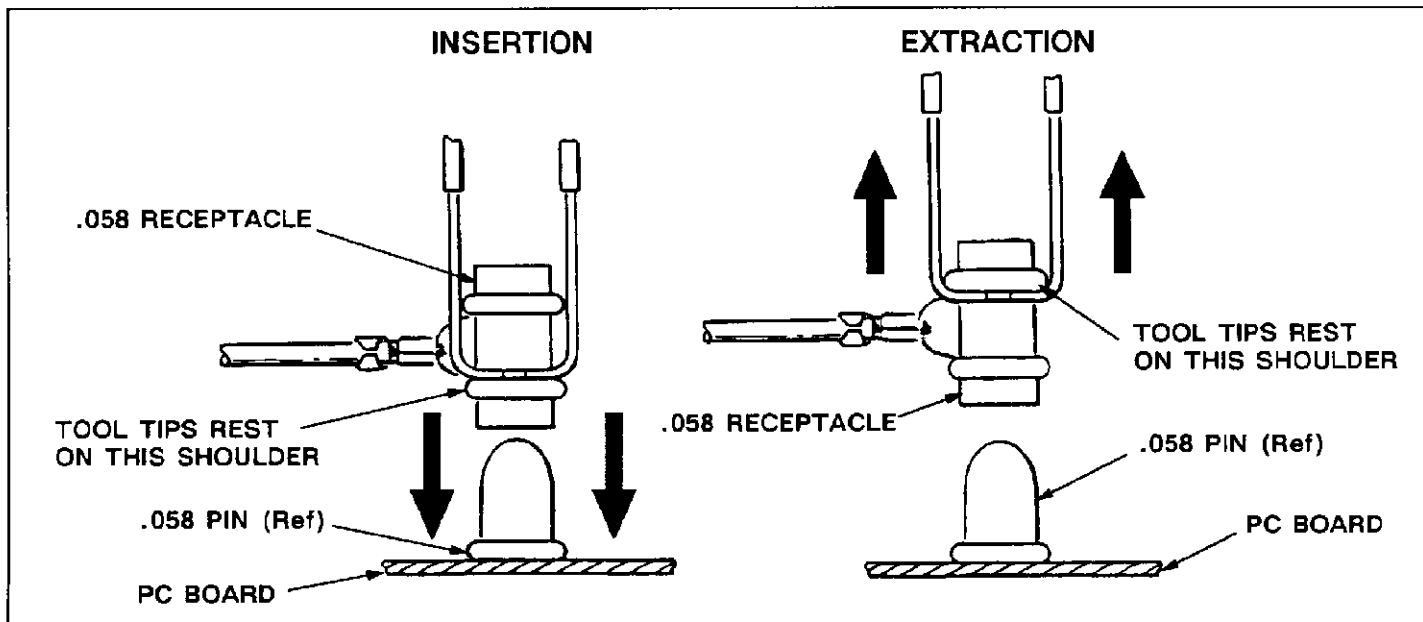


Fig. 2

3. INSERTION/EXTRACTION PROCEDURES
(Figure 2)

A. Insertion

After terminating the receptacle to the wire, proceed with the tool as follows:

1. Place the receptacle in the tool tips as illustrated, with the tool tips resting against the receptacle shoulder closest to the pc board.
2. Guide the receptacle onto the desired pin and apply moderate pressure on the tool to seat the receptacle on the pin until the edge of the receptacle is bottomed on the shoulder of the pin.
3. Release pressure on the tool, allowing the tips to expand, and withdraw the tool from the installed receptacle.

B. Extraction

1. Grasp the tool and maneuver the tool tips over the barrel portion of the receptacle as illustrated.
2. With the tool tips resting against the shoulder of the receptacle as illustrated, squeeze the tool and pull the receptacle straight off the pin.

4. MAINTENANCE

The tool requires little maintenance other than to wipe it with a clean, soft cloth periodically and to store it in a clean, dry area when not in use.

Insertion/Extraction Tool 453850-1, as described, is inspected prior to shipment and should conform to the information provided in Figure 3. Additional tools may be purchased from:

AMP Incorporated
P.O. Box 3608
Harrisburg, PA 17105-3608

or a wholly-owned subsidiary of AMP Incorporated.

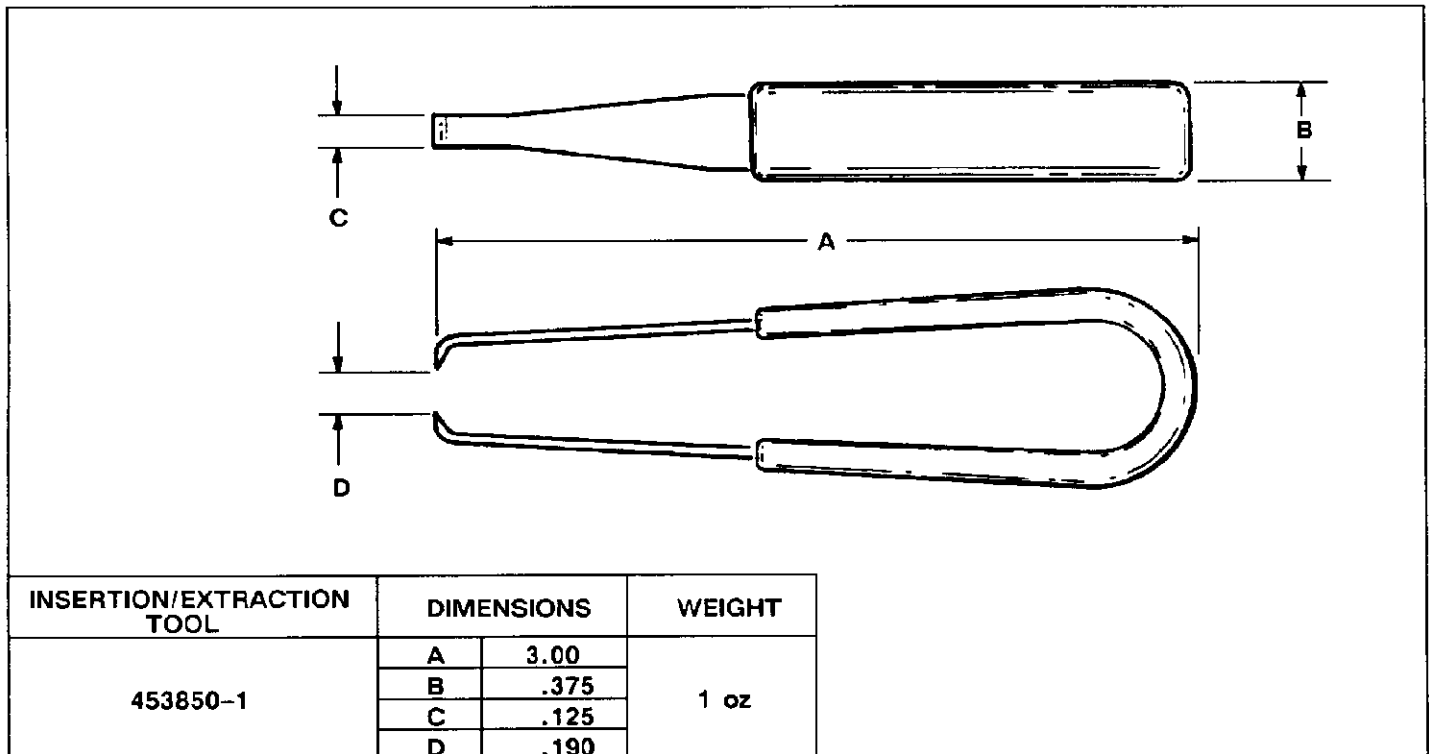


Fig. 3

X-ON Electronics

Largest Supplier of Electrical and Electronic Components

Click to view similar products for [Extraction, Removal & Insertion Tools](#) category:

Click to view products by [TE Connectivity](#) manufacturer:

Other Similar products are found below :

[M8196914-08](#) [768211-2](#) [809-131](#) [844751-2](#) [8-59558-2](#) [91018-1](#) [12014013](#) [12093647](#) [1-21048-0](#) [R282867020](#) [12093078](#) [1-21048-6](#)
[12121897](#) [DCF.91.405.5LT](#) [1322](#) [15314260](#) [15313892](#) [15350698](#) [15350707](#) [15430130](#) [1579018-4](#) [1643916-1](#) [1-679532-0](#) [1976593-3](#)
[OUTEXT-0321](#) [2-1579008-3](#) [2-1579008-4](#) [229694-7](#) [231106-1](#) [241469](#) [91040-3](#) [91040-7](#) [965004-000](#) [965069-000](#) [1738219-1](#) [ET-JL05-16](#)
[FG 0300 146 3000](#) [FIT-6](#) [210S048](#) [2-1579007-9](#) [231879-1](#) [312138-3](#) [RJ11FODE](#) [356-162](#) [M8196914-10](#) [4-1579018-0](#) [430395-001](#) [483249-](#)
[1](#) [5-1579007-2](#) [5-1579007-9](#)