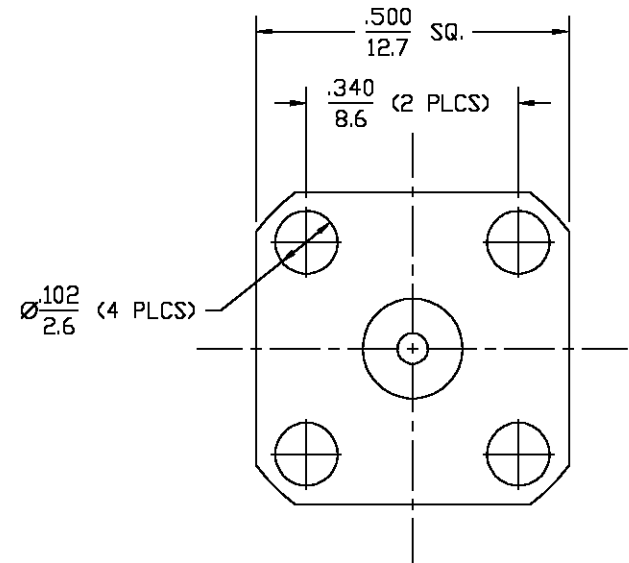
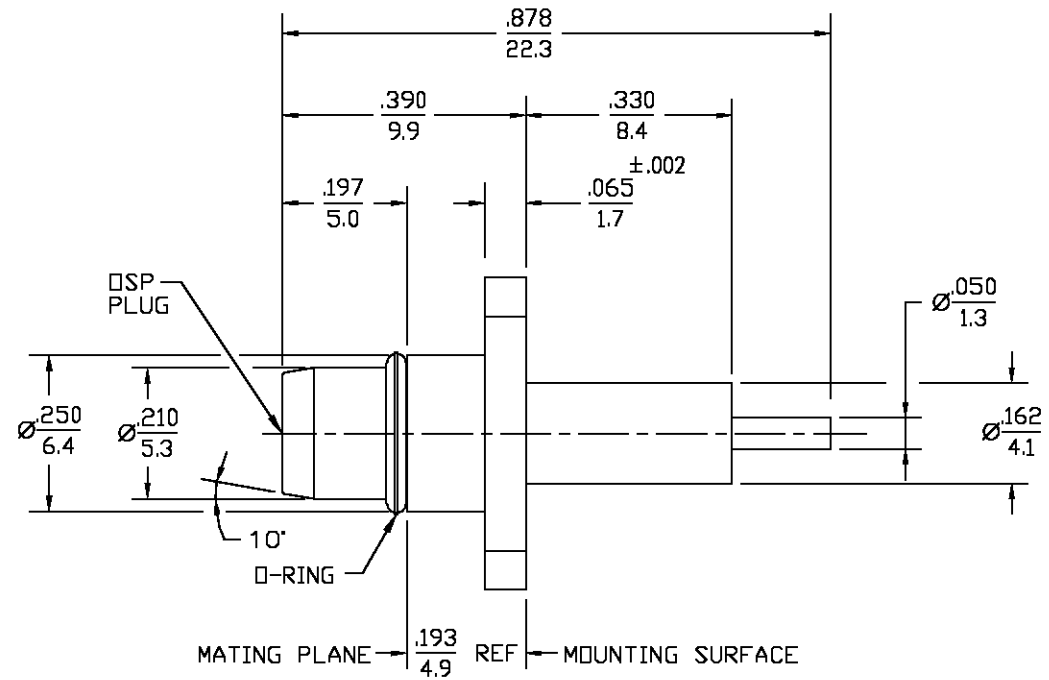


REVISIONS			
REV	DESCRIPTION	DATE	APPROVED
03 <sub>2</sub>	REVISED	7/18/97	<i>[Signature]</i>
C	REVISED PER ECN 0S14-0146-02	G.V. 21MAY03	JGH



ELECTRICAL	MECHANICAL	ENVIRONMENTAL
Nominal Impedance (Ohms) 50	Interface Dimensions MIL-STD-348A FIG. 321-1	TEMPERATURE RATING -65° TO +125°C
Frequency Range (GHz) DC to 18	Force to Engage (In-Lbs MAX) 3 & Disengage (In-Lbs MAX) 1.5	Vibration MIL-STD-202, Method 204, Condition D
Volt Rating (VRMS MAX) @ Sea Level 500	Center Contact Captivation	Shock MIL-STD-202, Method 213, Condition I
VSWR 1.05+0.05f(GHz) DC to 18 GHz	Axial (Lbs) 6.0	Thermal Shock MIL-STD-202, Method 107, Condition B
Insertion Loss (dB MAX) .03x√f(GHz)	Weight (Grams) TBD	Moisture Resistance MIL-STD-202, Method 106
RF Leakage (dB MIN) (Fully Mated) -(60-f(GHz))		Corrosion - MIL-STD-202, Method 101, Condition B
Corona, 70,000 Ft (VRMS MIN) 335		
Dielectric Withstanding Voltage (VRMS MIN) @ Sea Level 1000		
Contact Resistance (Milliohms MAX)		
Center Contact 2.0		
Outer Contact 2.0		
RF High Potential @ Sea Level (VRMS MIN @ 5 MHz) 1000		
I.R.(Megohms MIN) 5000		

.XXX = in  
XX.X = mm (REF)

COMPONENT	MATERIAL	FINISH
HOUSING	STAINLESS STEEL PER ASTM-A484 AND ASTM-A582, TYPE 303	PASSIVATE PER QQ-P-35
DIELECTRIC	PTFE FLUOROCARBON PER ASTM-D-1457	N/A
CENTER CONTACT	BRASS PER ASTM B 16	GOLD PLATE PER MIL-G-45204
O-RING	FLOUROSILOCONE PER MIL-R-25988, CLASS I, TYPE I.	N/A

UNLESS OTHERWISE SPECIFIED DIMENSIONS ARE IN INCHES	DRAWN BY JP	DATE 4/13/83	<b>AMP</b> AMP Incorporated 140 Fourth Avenue Waltham, MA 02451-7599
TOLERANCE ON	CHECKED BY AJA	2/7/84	
FRAC. DEC. ANGLES	APP'D BY JB	2/27/84	
± 1/64 ±.005 ± 1°			

TITLE OSP 4 HOLE FLANGE MOUNT PLUG RECEPTACLE STRAIGHT TERMINAL		REV 03 <sub>2</sub>
SIZE B	CODE IDENT NO. 4551-1201-02	
SCALE 4:1		SHEET 1 OF 1

## X-ON Electronics

Largest Supplier of Electrical and Electronic Components

*Click to view similar products for [RF Connectors / Coaxial Connectors](#) category:*

*Click to view products by [TE Connectivity](#) manufacturer:*

Other Similar products are found below :

[8915-1511-000](#) [89674-0827](#) [6001-7071-019](#) [6002-7051-003](#) [6002-7551-202](#) [6059674-1](#) [619550-1](#) [630059-000](#) [M39030/3-01N](#) [6500-7071-046](#) [6769](#) [CX050L2AQ](#) [7002-1541-010](#) [7002-1542-011](#) [7004-1512-000](#) [7009-1511-004](#) [7010-1511-000](#) [7029-1511-060](#) [7101-1541-010](#) [7101-1571-002](#) [7145-1521-002](#) [7203-1571-003](#) [7209-1511-011](#) [7210-1511-015](#) [7210-1511-019](#) [73137-5015](#) [73216-2241](#) [73404-2300](#) [7405-1521-005](#) [7405-1521-802](#) [8527](#) [8547](#) [FS11V](#) [877931](#) [8808-1511-001](#) [9049-9513-000](#) [9074-9513-000](#) [9101-9573-002](#) [910A205F](#) [9130-9573-002](#) [PL11SC-026](#) [PL375-33](#) [PL40-5](#) [PL74C-221](#) [PL75MC-217](#) [PL803-7](#) [1200690078](#) [1-201144-1](#) [R107003010W](#) [R110A172100](#)