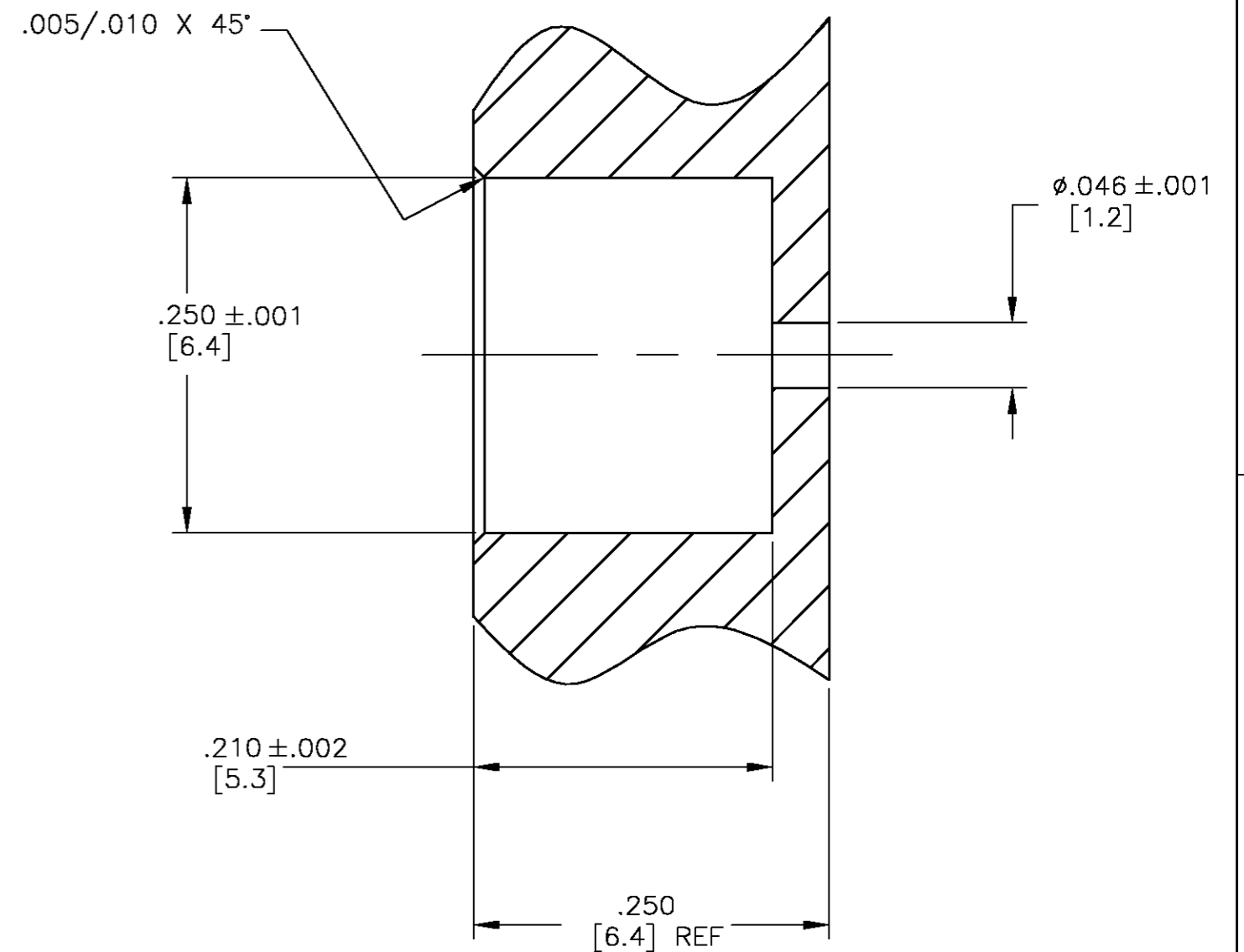
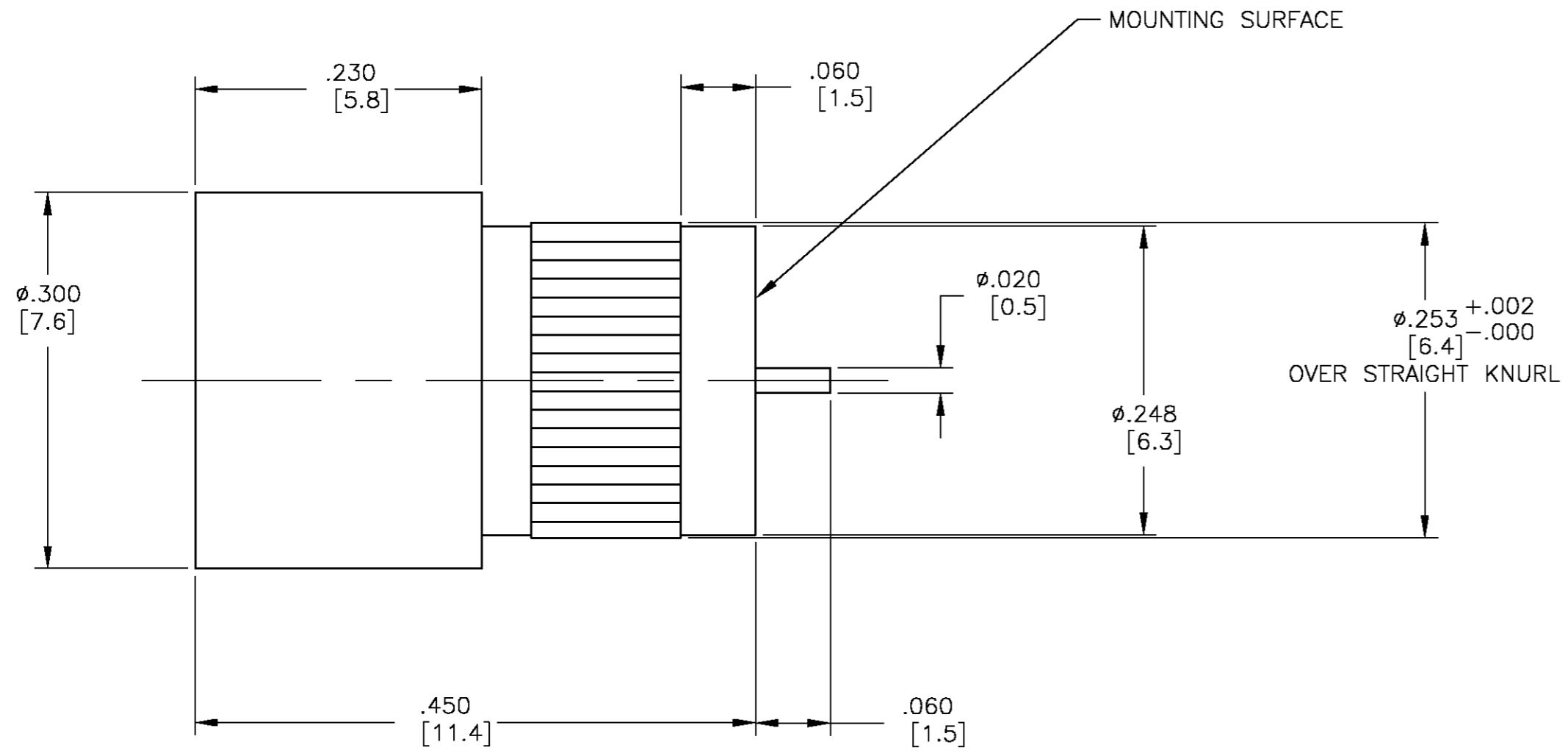


THIS DRAWING IS UNPUBLISHED. RELEASED FOR PUBLICATION
 © COPYRIGHT BY TYCO ELECTRONICS CORPORATION. ALL RIGHTS RESERVED.

LOC		DIST		REVISIONS			
P	LTR	DESCRIPTION	DATE	DWN	APVD		
00	HC	C	REV PER OS14-0222-04	06-10-04	JDP	JGH	



RECOMMENDED MOUNTING HOLE

ELECTRICAL	MECHANICAL	ENVIRONMENTAL
NOMINAL IMPEDANCE (OHMS): 50	INTERFACE DIMENSIONS PER MIL-STD-348, FIG. 321.2	TEMPERATURE RATING: -65°C TO +125°C
FREQUENCY RANGE (GHz): DC TO 18.	MATING CHARACTERISTICS: INSERTION MAX (LBS.): 3 WITHDRAWAL MIN (OZ.): 1	VIBRATION PER MIL-STD-202, METHOD 204 CONDITION D.
VOLT RATING (VRMS MAX) @ SEA LEVEL: 335	FORCE: TO ENGAGE (LBS MAX): 3 TO DISENGAGE (LBS MAX): 1.5	SHOCK PER MIL-STD-202, METHOD 213, CONDITION I
VSWR: 1.05 + .005f(GHz)	CENTER CONTACT CAPTIVATION AXIAL (LBS): 6	THERMAL SHOCK PER MIL-STD-202 METHOD 107, CONDITION B.
INSERTION LOSS (dB MAX): .03√f(GHz)	WEIGHT (GRAMS): 2.3	MOISTURE RESISTANCE PER MIL-STD-202, METHOD 106.
RF LEAKAGE (dB MIN): -(65-f(GHz))		CORROSION PER MIL-STD-202, METHOD 101, CONDITION B.

CORONA, 70,000 FT. (VRMS MIN): 335
DIELECTRIC WITHSTANDING VOLTAGE: (VRMS MIN) @ SEA LEVEL: 1000
CONTACT RESISTANCE (MILLIOHMS MAX): CENTER CONTACT: 2.0 OUTER CONTACT: 2.0
RF HIGH POTENTIAL @ SEA LEVEL (VRMS MIN @ 5 MHz): 1000
I.R. (MEGOHMS MIN): 5,000

- 1 MATERIAL:
 HOUSING/ BUSHING: STAINLESS STEEL PER ASTM A484 AND ASTM A582, TYPE 303
 DIELECTRIC: PTFE PER ASTM-D-1457
 CENTER CONTACT: BeCU PER ASTM B 196, CONDITION H
 CONTACT SLEEVE: BeCU PER ASTM B 196, CONDITION H
 CONTACT RING / SHIM: BeCU PER ASTM B 194, CONDITION H
- 2 FINISH:
 HOUSING/ BUSHING: PASSIVATE PER ASTM-A380
 CENTER CONTACT: GOLD PLATE PER MIL-G-45204 OVER COPPER PER MIL-C-14550
 CONTACT SLEEVE: GOLD PLATE PER MIL-G-45204 OVER NICKEL PLATE PER QQ-N-290
 CONTACT RING / SHIM: GOLD PLATE PER MIL-G-45204 OVER COPPER PER MIL-C-14550
3. REF M/A-COM 4558-1154-02.

1059654-1
 PART NUMBER

THIS DRAWING IS A CONTROLLED DOCUMENT.		DWN S. BURKHOLDER 23OCT02	Tyco Electronics Corporation Middletown, PA 17057	
DIMENSIONS: INCHES		CHK J. HAVENER 23OCT02	NAME J. HAVENER 23OCT02	
TOLERANCES UNLESS OTHERWISE SPECIFIED: 0 PLC ± - 1 PLC ± - 2 PLC ± - 3 PLC ± .005 4 PLC ± - ± 1		APVD J. HAVENER 23OCT02	PRODUCT SPEC APPLICATION SPEC 408-8679	
MATERIAL 1	FINISH 2	WEIGHT -	SIZE A2	CAGE CODE 00779
CUSTOMER DRAWING		DRAWING NO C=1059654-1		RESTRICTED TO -
		SCALE 6:1	SHEET 1 OF 1	REV C

X-ON Electronics

Largest Supplier of Electrical and Electronic Components

Click to view similar products for [RF Connectors / Coaxial Connectors](#) category:

Click to view products by [TE Connectivity](#) manufacturer:

Other Similar products are found below :

[8915-1511-000](#) [89674-0827](#) [6001-7071-019](#) [6002-7051-003](#) [6002-7551-202](#) [6059674-1](#) [619550-1](#) [630059-000](#) [M39030/3-01N](#) [6500-7071-046](#) [6769](#) [CX050L2AQ](#) [7002-1541-010](#) [7002-1542-011](#) [7004-1512-000](#) [7009-1511-004](#) [7010-1511-000](#) [7029-1511-060](#) [7101-1541-010](#) [7101-1571-002](#) [7105-1521-002](#) [7145-1521-002](#) [7203-1571-003](#) [7209-1511-011](#) [7210-1511-015](#) [7210-1511-019](#) [73137-5015](#) [73216-2241](#) [73404-2300](#) [7405-1521-005](#) [7405-1521-802](#) [8527](#) [8547](#) [FS11V](#) [877931](#) [9049-9513-000](#) [9074-9513-000](#) [9101-9573-002](#) [910A205F](#) [9130-9573-002](#) [PL11SC-026](#) [PL375-33](#) [PL40-5](#) [PL74C-221](#) [PL75MC-217](#) [PL803-7](#) [1200690078](#) [1-201144-1](#) [R107003010W](#) [R110A172100](#)