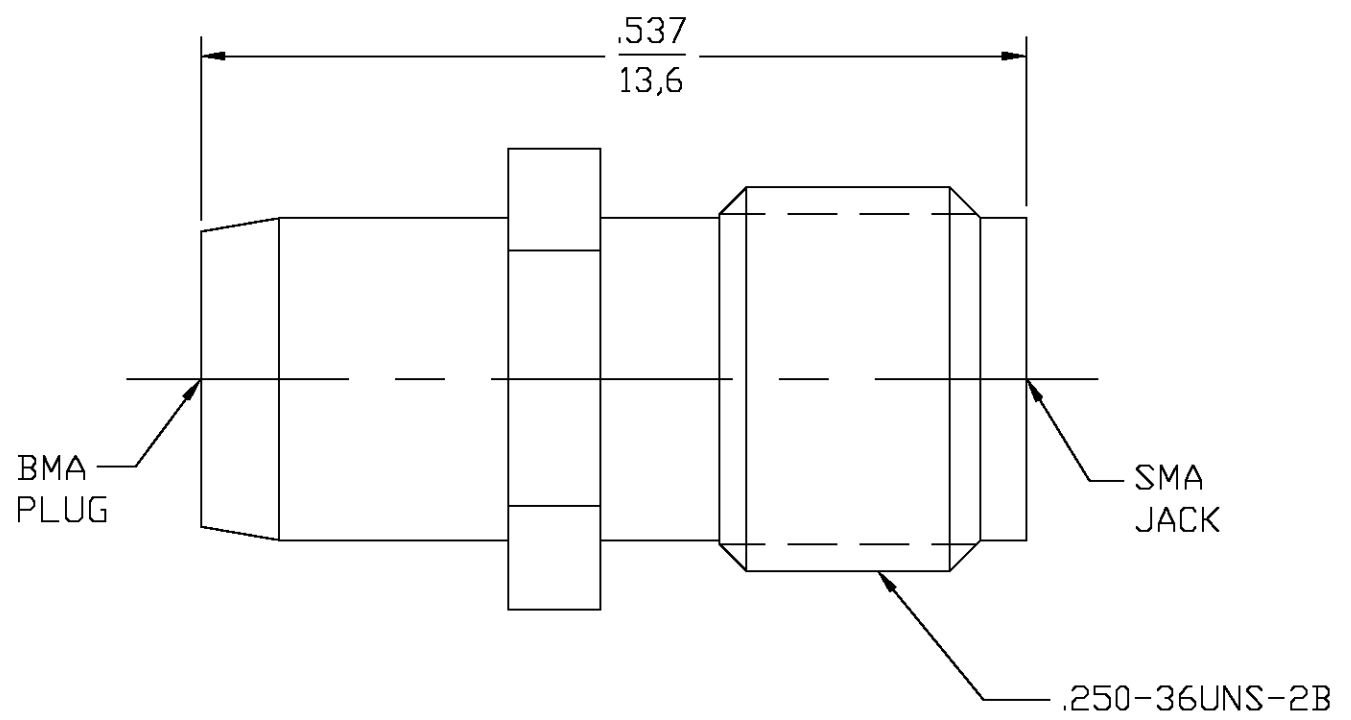
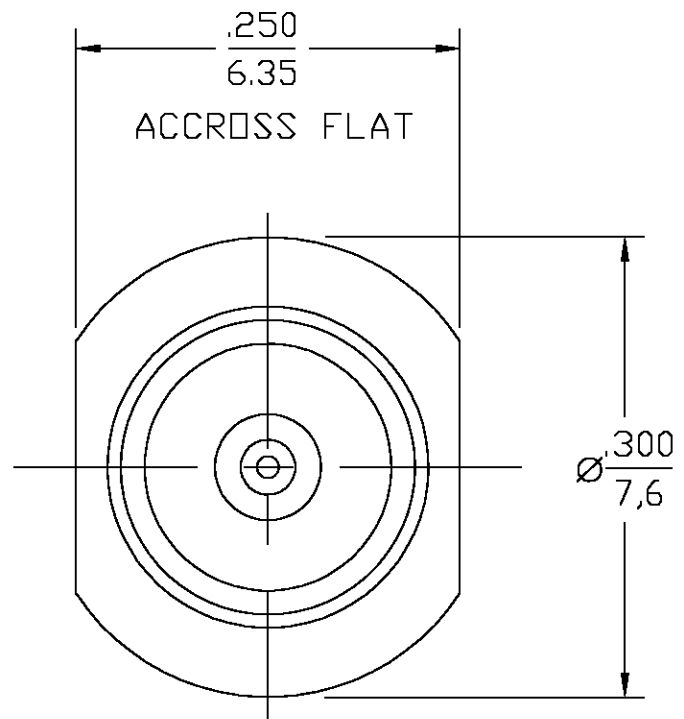


THIS DRAWING IS UNPUBLISHED. RELEASED FOR PUBLICATION
 © COPYRIGHT BY TYCO ELECTRONICS CORPORATION. ALL RIGHTS RESERVED.

LOC	DIST	REVISIONS					
HC	00	P	LTR	DESCRIPTION	DATE	DWN	APVD
		A		RELEASE	6/6/03	-	DCam



- NOTES:
1. FREQUENCY RANGE: DC TO 18 GHz
 2. VSWR: 1.05 +.005 f(GHz)
 3. INSERTION LOSS: .06 √f(GHz)
 4. CAPTURED CENTER CONTACT

HOUSING	STAINLESS STEEL ASTM-A484 & ASTM-A582 TYPE 303	PASSIVATE PER QQ-P-35
CONTACT	BERYLLIUM COPPER PER ASTM-B-196, ALLOY C17300, COND H	GOLD PLATE PER MIL-G-45204
DIELECTRIC	PTFE FLUOROCARBON PER ASTM-D-4894	N/A
COMPONENT	MATERIAL	FINISH

1059716-1
PART NO

THIS DRAWING IS A CONTROLLED DOCUMENT.		DWN	PVC	4/29/82	 Tyco Electronics Corporation Norwood, MA 02062						
DIMENSIONS: INCHES / mm		CHK	RAL	4/29/82							
		APVD	JK	4/29/82							
TOLERANCES UNLESS OTHERWISE SPECIFIED: 0 PLC ± - 1 PLC ± - 2 PLC ± - 3 PLC ± .005 4 PLC ± - ANGLES ± 1		NAME		BMA (OSP) PLUG TO SMA JACK ADAPTER (4582-2240-02)							
MATERIAL	FINISH	PRODUCT SPEC	SIZE		CAGE CODE	DRAWING NO	RESTRICTED TO				
-	-	APPLICATION SPEC	A3		00779	©-1059716	-				
CUSTOMER DRAWING						SCALE	8:1	SHEET	1 OF 1	REV	A

X-ON Electronics

Largest Supplier of Electrical and Electronic Components

Click to view similar products for [RF Adapters - Between Series](#) category:

Click to view products by [TE Connectivity](#) manufacturer:

Other Similar products are found below :

[5945-9503-000](#) [MCX/F-SMA/M](#) [R192417010](#) [ADBJ20-E1-BJ379](#) [ADM2](#) [ADPL75-A1-PL75](#) [242191](#) [9317505](#) [29-3835P](#) [AD130](#) [ADBJ20-E1-PL74](#) [ADBJ20-E2-BJ79](#) [ADBJ77-E1-UPL20](#) [ADRMF370](#) [242215](#) [242228](#) [R125680000W](#) [R192430000](#) [UAD95](#) [1057367-1](#) [8311505](#) [R114704000](#) [R451034500](#) [R451030500](#) [R451543000](#) [HDVDPN](#) [ADBJ20-K1-PL20](#) [R451570000](#) [R192419000](#) [R451034000](#) [J9](#) [J3WE-5](#) [R451032500](#) [242201RP](#) [17K132-K00S5](#) [AD-RSMAF-RTNC](#) [53K156-K00N5](#) [02K119-K00E3](#) [29S132-K01N5](#) [53S156-K00N5](#) [02S119-S00E3](#) [28K132-K00N5](#) [02S109-K00S3](#) [27-8200TP](#) [242235](#) [ADBJ20-E1-BJ89](#) [000-2900](#) [321-102-003 \(SMA-50/2-H155/W1.03 AU\)](#) [1057377-1](#) [321-350-001 \(SMA-50-R/2-RG316/N2.01\)](#)