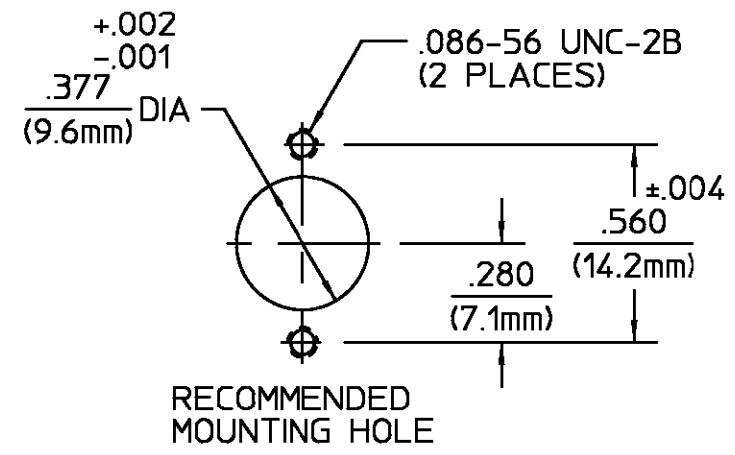
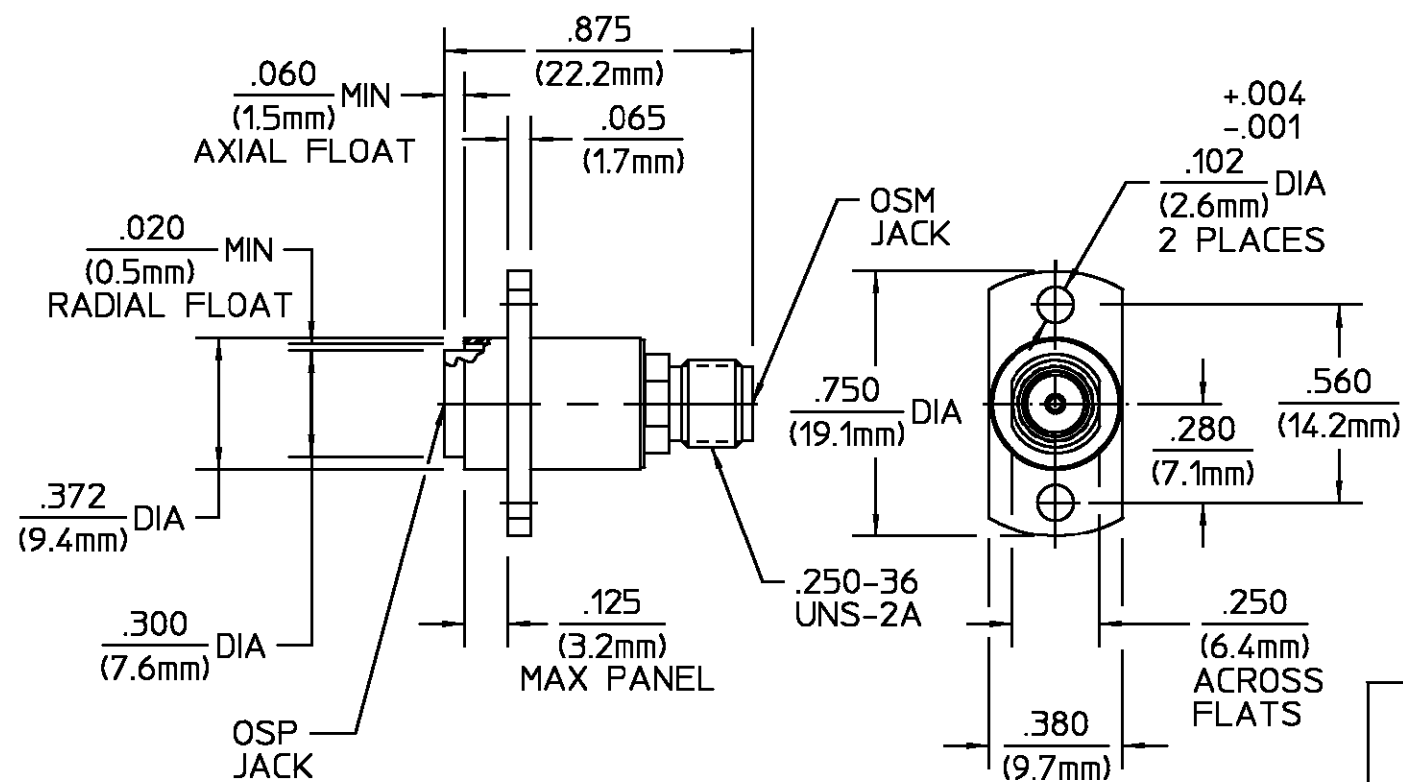


REVISIONS			
REV	DESCRIPTION	DATE	APPROVED
A1	REVISED PER ECO-11-005030	24MAR11	HMR



COMPONENT	MATERIAL	FINISH
HOUSING BUSHING	STAINLESS STEEL PER ASTM-A484 AND ASTM-A582, TYPE 303	PASSIVATE PER QQ-P-35
SPRING	STAINLESS STEEL PER	PASSIVATE PER QQ-P-35
DIELECTRIC	PTFE FLUOROCARBON PER ASTM-D-1457	N/A
CENTER CONTACT CONTACT SLEEVE	BERYLLIUM COPPER PER ASTM-B-196 OR ASTM-B-197, ALLOY C17300, CONDITION H	GOLD PLATE PER MIL-G-45204
RETAINING RING	BERYLLIUM COPPER PER ASTM-B-194, ALLOY C17200, CONDITION H	GOLD PLATE PER MIL-G-45204
RETAINING RING	BERYLLIUM COPPER PER ASTM-B-194, ALLOY C17200, CONDITION H	NICKEL PLATE QQ-N-290

ELECTRICAL	MECHANICAL	ENVIRONMENTAL
Nominal Impedance (Ohms) 50	Interface Dimensions OSM MIL-STD-348A, Fig 310.2	Temperature Rating -65°C to +165°C
Frequency Range (GHz) DC to 18	OSP SEE CATALOG	Vibration MIL-STD-202, Method 204, Condition D.
Volt Rating (VRMS MAX) @ Sea Level 335	Mating Characteristics (OSP & OSM): Insertion (MAX Lbs) 3	Shock MIL-STD-202, Method 213, Condition I.
VSWR 1.05 + .005 F(GHz)	Withdrawal (MIN Oz) 1	Thermal Shock MIL-STD-202, Method 107, Condition B.
Insertion Loss (dB MAX) .06 √F(GHz)	Force to Engage: OSM (In-Lbs MAX) 2.0	Moisture Resistance MIL-STD-202, Method 106
RF Leakage (dB MIN) -60 @ 2-3 GHz	OSP (Lbs MAX) 3.0	Corrosion - MIL-STD-202, Method 101, Condition B, 5% salt spray
Corona, 70,000 Ft (VRMS MIN) 250	Force to Disengage: OSM (In-Lbs MAX) 2.0	
Dielectric Withstanding Voltage (VRMS MIN) @ Sea Level 1000	OSP (Lbs MAX) 1.5	
Contact Resistance (Milliohms MAX) Center Contact 4.0	Contact Retention Axial (Lbs) 6.0	
Outer Contact 2.0	Radial (In-Oz) N/A	
RF High Potential @ Sea Level (VRMS MIN @ 5 MHz) 670	Weight (Grams) TBD	
I.R.(Megohms MIN) 5000		

UNLESS OTHERWISE SPECIFIED DIMENSIONS ARE IN INCHES TOLERANCE ON	DRAWN BY SWA DATE 10/9/84
FRAC. DEC. ANGLES ± 1/64 ±.005 ± °	CHECKED BY DAC DATE 10/9/84
	APPD BY [Signature] DATE 10/9/84
These drawings and specifications are the property of AMP Incorporated and shall not be reproduced or copied or used in whole or in part as the basis for the manufacture or sale of item(s) without written permission.	USE ASS'Y PROCEDURE
	NO. AP. N/A
	CUSTOMER DRAWING

**TE** TE Connectivity

TITLE OSP JACK TO OSM JACK FLOAT PANEL FEEDTHROUGH FLANGE MOUNT ADAPTER

SIZE B	CODE IDENT NO. 26805	1059731-1	REV A1
SCALE 2:1			SHEET 1 OF 1

## X-ON Electronics

Largest Supplier of Electrical and Electronic Components

*Click to view similar products for [RF Adapters - Between Series](#) category:*

*Click to view products by [TE Connectivity](#) manufacturer:*

Other Similar products are found below :

[5945-9503-000](#) [MCX/F-SMA/M](#) [R192417010](#) [ADBJ20-E1-BJ379](#) [ADM2](#) [ADPL75-A1-PL75](#) [242191](#) [9317505](#) [29-3835P](#) [AD130](#) [ADBJ20-E1-PL74](#) [ADBJ77-A1PL3155](#) [ADBJ77-E1-UPL20](#) [ADRMF370](#) [242215](#) [242228](#) [R125680000W](#) [R192430000](#) [UAD95](#) [1057367-1](#) [8311505](#) [R114704000](#) [R451034500](#) [R451030500](#) [R451543000](#) [HDVDPN](#) [ADBJ20-K1-PL20](#) [R451570000](#) [R192419000](#) [R451034000](#) [J9](#) [J3WE-5](#) [R451032500](#) [242201RP](#) [17K132-K00S5](#) [03K719-S22S3](#) [AD-RSMAF-RTNC](#) [53K156-K00N5](#) [53K160-KIMN1](#) [02K119-K00E3](#) [29S132-K01N5](#) [53S156-K00N5](#) [02S119-S00E3](#) [28K132-K00N5](#) [02S109-K00S3](#) [27-8200TP](#) [242235](#) [ADBJ20-E1-BJ89](#) [ADP-SMAF-MMCXM](#) [000-2900](#)