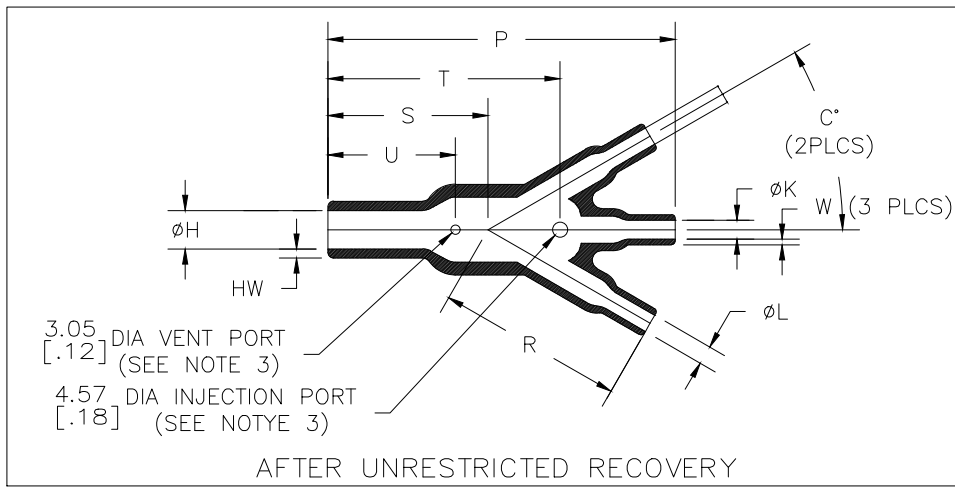
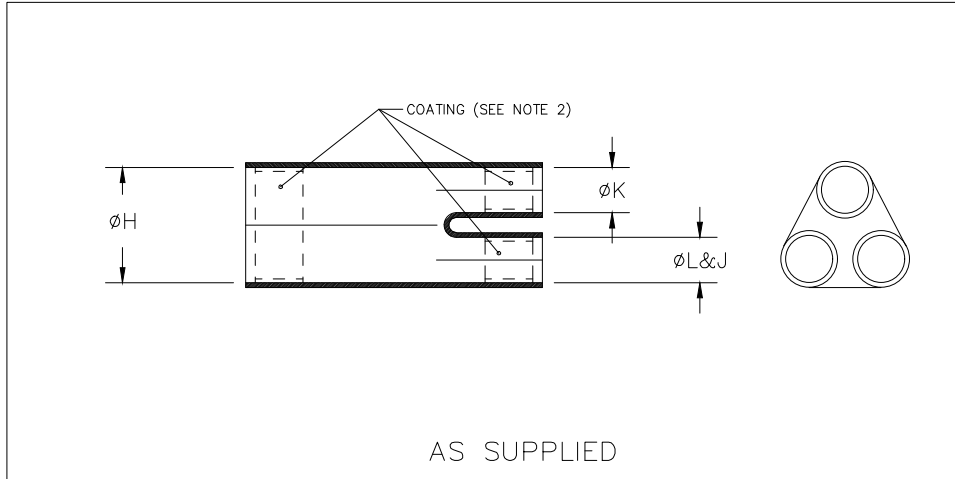


REVISIONS

P	LTR	DESCRIPTION	DATE	DWN	APVD
	U	PRODUCTION ISSUE	30JAN2019	PNT	MT



PART NUMBER	H		J,K & L		P	R	S	T	U	HW	W	C	Weight Nom lb/[gms] b
	Min a	Max b	Min a	Max b	±10% b	±10% b	±10% b	±10% b	±10% b	±20% b	±20% b	±5° b	
462A011	13.2 [.52]	6.6 [.26]	6.6 [.26]	3.6 [.14]	46.2 [1.82]	25.4 [1.00]	20.8 [.82]	30.5 [1.20]	15.7 [.62]	1.52 [.06]	1.02 [.04]	30°	2.27 [.005]
462A023	26.9 [1.06]	13.2 [.52]	13.2 [.52]	6.9 [.27]	93.2 [3.67]	50.3 [1.98]	42.9 [1.69]	57.2 [2.25]	33.0 [1.30]	2.54 [.10]	1.52 [.06]	30°	16.33 [.036]
462A034	38.6 [1.52]	18.8 [.74]	19.3 [.76]	9.7 [.38]	135.1 [5.32]	73.7 [2.90]	61.5 [2.42]	88.9 [3.50]	45.7 [1.80]	3.05 [.12]	1.78 [.07]	30°	44.91 [.099]
462A046	55.6 [2.19]	25.4 [1.00]	26.9 [1.06]	12.4 [.49]	192.0 [7.56]	103.1 [4.06]	88.9 [3.50]	121.9 [4.80]	71.1 [2.80]	4.57 [.18]	3.05 [.12]	30°	142.88 [.315]
46AA060	91.4 [3.60]	54.6 [2.15]	45.7 [1.80]	27.4 [1.08]	390.4 [15.37]	211.1 [8.31]	179.3 [7.06]	254.0 [10.00]	127.0 [5.00]	7.11 [.28]	4.57 [.18]	30°	861.83 [1.900]

RELEASED FOR PUBLICATION

ALL RIGHTS RESERVED.

THIS DRAWING IS UNPUBLISHED.

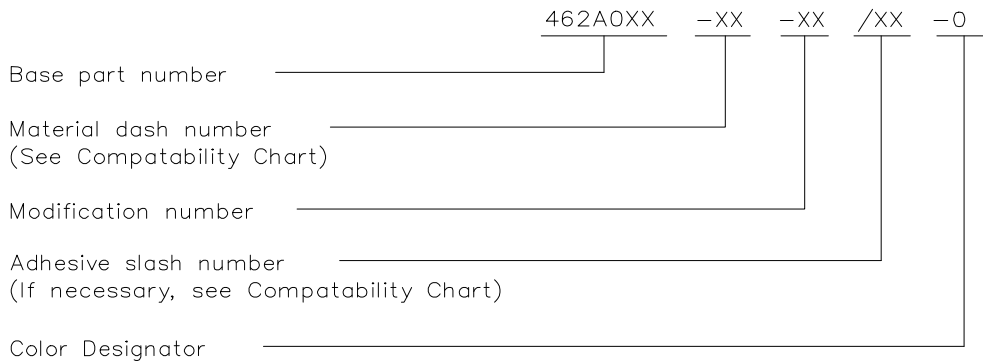
© COPYRIGHT - TE Connectivity Ltd.

DIMENSIONS: mm [INCHES]	DWN	30JAN2019	MATERIAL	SEE SHEET 2	FINISH	-								
	CHK	30JAN2019	TE Connectivity Ltd.											
TOLERANCES UNLESS OTHERWISE SPECIFIED:	APVD	30JAN2019					NAME	TRANSITION, 1 TO 3 CABLES						
	PRODUCT SPEC	-	SIZE	A4	CAGE CODE	00779	DRAWING NO	C-462A011-XX-0THRU060-XX-0	RESTRICTED TO	-				
0 PLC ± -	1 PLC ± -	2 PLC ± -	3 PLC ± -	4 PLC ± -	ANGLES ± -	WEIGHT	CUSTOMER DRAWING		SCALE	DNS	SHEET	1 of 2	REV	U

REVISIONS					
P	LTR	DESCRIPTION	DATE	DWN	APVD
	-	SEE SHEET 1	-	-	-

COMPATABILITY CHART				
MATERIAL DASH NO.	MATERIAL DESCRIPTION	RT SPEC	COATING SLASH NO.	COATING S NO.
-3	Polyolefin, Semi-rigid	RT-301	/42;/86;/180	S1017;S1048;S1030
-4	Polyolefin, Flexible	RT-1304	/42;/86;/180	S1017;S1048;S1030
-12	Fluoroelastomer, Flexible	RT-1312	N/A	N/A
-25	Elastomer, Fluid Resistant	RW-2070	/42;/86;/225	S1017;S1048;S1206
-100	Polyolefin, semi-flexible Zerohal	RW-2082	/86; /180	S1048; S1030


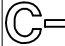
ORDERING INFORMATION

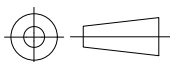


NOTES

- Dimensions appearing in table are as follows:
  - a - As Supplied
  - b - After Unrestricted Recovery
- Coating is optional. As supplied dimensions appearing in table are for uncoated parts. When coating is added, entry diameters will be reduced by 1.5mm[.06] max.
- Molding ports are optional. When -00 modification number is specified molding ports will be located as shown.
- Part number 462A060 is not available in -12, or -100 material.
- Weight shown in table of dimensions is based on ployolefin part.
- Part number 462A046 and 462A060 is not available in-152.

THIS DRAWING IS UNPUBLISHED. ALL RIGHTS RESERVED. COPYRIGHT - TE Connectivity Ltd.

DIMENSIONS: mm [INCHES]	DWN PRAVEEN N T	30JAN2019	MATERIAL SEE SHEET 2	FINISH -
	CHK N NAGAR	30JAN2019	 TE Connectivity Ltd.	
TOLERANCES UNLESS OTHERWISE SPECIFIED:	APVD M TAYLOR	30JAN2019		
	0 PLC ± -	PRODUCT SPEC	SIZE   CAGE CODE   DRAWING NO   RESTRICTED TO	
1 PLC ± -	APPLICATION SPEC	A4   00779    462A011-XX-0THRU060-XX-0   -		
2 PLC ± -	WEIGHT	CUSTOMER DRAWING		SCALE DNS
3 PLC ± -		SHEET 2 OF 2		REV U
4 PLC ± -				
ANGLES ± -				



## X-ON Electronics

Largest Supplier of Electrical and Electronic Components

*Click to view similar products for [Heat Shrink Cable Boots & End Caps](#) category:*

*Click to view products by [TE Connectivity](#) manufacturer:*

Other Similar products are found below :

[577159N001](#) [645494-000](#) [CX4132-000](#) [687025-000](#) [705331-000](#) [718446-000](#) [725666N001](#) [729257-000](#) [F27131-000](#) [F85868-000](#) [770-003S106W2](#) [770-013210W1](#) [770-013311](#) [770-013312](#) [806542N001](#) [807507-000](#) [808362-000](#) [808618-000](#) [809125-000](#) [809130-000](#) [809218-000](#) [812014-000](#) [812047-000](#) [813166-000](#) [813767N002](#) [814741-000](#) [819117N001](#) [823026-000](#) [823070-000](#) [841189N001](#) [861471-000](#) [866647-000](#) [879515-000](#) [937577-000](#) [957073-000](#) [982033-2](#) [A77813-000](#) [R280576000](#) [D96192-000](#) [163549-000](#) [EN3BOOTLKIT](#) [MTPSRBCL-C](#) [1954015-1](#) [200W531-3-0](#) [202A163-4-0-CS5067](#) [202A343-3-00-0](#) [202B221-13-0](#) [202B231-13-0](#) [202B563-25-07-0](#) [202C241-13-0](#)