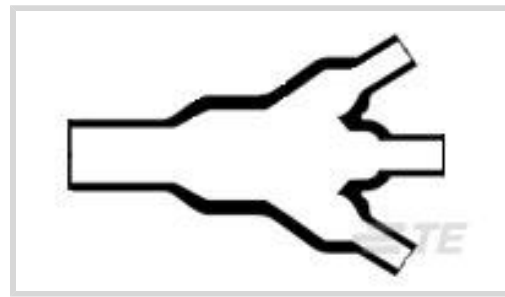




Wire Protection &amp; Management &gt; Heat Shrink Molded Shapes &gt; Cable Transitions &amp; Breakouts

Molded Part Shape: **Y Shape**Number of Branches & Legs: **4**Material Code: **4**Material Systems Code: **10**Adhesive Requirement: **Adhesive Precoat**

## Features

### Product Type Features

Molded Part Shape	Y Shape
Size Code	023

### Configuration Features

Number of Branches & Legs	4
Adhesive Requirement	Adhesive Precoat

### Body Features

Material	Polyolefin Flexible Modified
Material Code	4
Material Systems Code	10

### Dimensions

Inside Diameter Range (Leg 2)	6.9 – 13.2 mm [.27 – .52 in]
Inside Diameter Range (Leg 3)	6.9 – 13.2 mm [.27 – .52 in]
Inside Diameter Range (Body)	13.2 – 26.9 mm [.52 – 1.06 in]
Inside Diameter Range (Leg 1)	6.9 – 13.2 mm [.27 – .52 in]

### Usage Conditions

Operating Temperature Range	-55 – 135 °C [-67 – 275 °F]
-----------------------------	-----------------------------

### Operation/Application

Power Cable Accessory	No
-----------------------	----



### Industry Standards

Government Qualified	No
----------------------	----

### Other

Adhesive Code	42
Molded Part Shape Code	462A
Fluid & Chemical Resistance	Occasional exposure to fluids
Adhesive Options	/42 Precoat

### Product Compliance

[For compliance documentation, visit the product page on TE.com>](#)

EU RoHS Directive 2011/65/EU	Compliant
EU ELV Directive 2000/53/EC	Compliant
China RoHS 2 Directive MIIT Order No 32, 2016	No Restricted Materials Above Threshold
EU REACH Regulation (EC) No. 1907/2006	Current ECHA Candidate List: JAN 2021 (211) Candidate List Declared Against: JAN 2021 (211) Does not contain REACH SVHC
Halogen Content	Not Low Halogen - contains Br or Cl > 900 ppm.
Solder Process Capability	Not applicable for solder process capability

#### Product Compliance Disclaimer

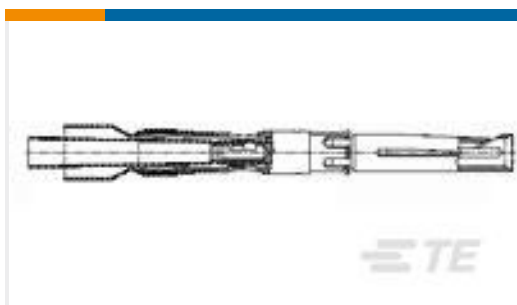
This information is provided based on reasonable inquiry of our suppliers and represents our current actual knowledge based on the information they provided. This information is subject to change. The part numbers that TE has identified as EU RoHS compliant have a maximum concentration of 0.1% by weight in homogenous materials for lead, hexavalent chromium, mercury, PBB, PBDE, DBP, BBP, DEHP, DIBP, and 0.01% for cadmium, or qualify for an exemption to these limits as defined in the Annexes of Directive 2011/65/EU (RoHS2). Finished electrical and electronic equipment products will be CE marked as required by Directive 2011/65/EU. Components may not be CE marked. Additionally, the part numbers that TE has identified as EU ELV compliant have a maximum concentration of 0.1% by weight in homogenous materials for lead, hexavalent chromium, and mercury, and 0.01% for cadmium, or qualify for an exemption to these limits as defined in the Annexes of Directive 2000/53/EC (ELV). Regarding the REACH Regulation, the information TE provides on SVHC in articles for this part number is based on the latest European Chemicals Agency (ECHA) 'Guidance on requirements for substances in articles' posted at this URL: <https://echa.europa.eu/guidance-documents/guidance-on-reach>

### Compatible Parts



TE Part # CJ2087-000  
HL2010E-KIT-120V

## Customers Also Bought



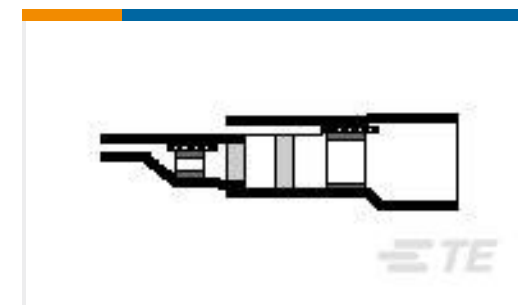
TE Part #601038-000  
D-602-55



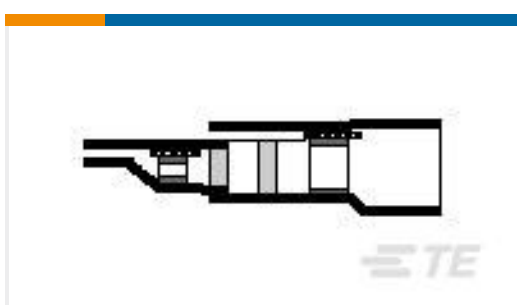
TE Part #1-332433-0  
TERMINAL,PIDG PTFE R AU 22-20 6



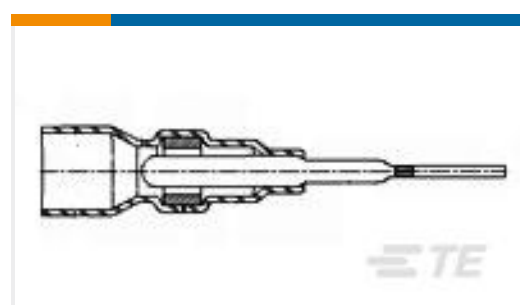
TE Part #YDTS26W19-11SA0000  
PLUG ASSY



TE Part #120411-000  
B-040-24-N



TE Part #405617-000  
B-044-24-N



TE Part #601061-000  
D-607-04-H



TE Part #2-1617003-9  
B07B932BZ1-8005 = 07 10AMP REL

## Documents

### Product Drawings

[462A023-4/42-0](#)

English

### Datasheets & Catalog Pages

[1654025\\_Sec4\\_-4](#)

English

[Raychem Molded Parts Visual Guide](#)

English

### Product Specifications

[Product Specification](#)

English

### Product Environmental Compliance

[Safety Datasheet](#)

[Safety Datasheet](#)

English



[Safety Datasheet](#)

French

[Safety Datasheet](#)

German

[Safety Datasheet](#)

[Safety Datasheet](#)

[Safety Datasheet](#)

[Safety Datasheet](#)

[Safety Datasheet](#)

[Safety Datasheet](#)

English

[Safety Datasheet](#)

French

[Safety Datasheet](#)

German

[Safety Datasheet](#)

[Safety Datasheet](#)

[Safety Datasheet](#)

[Safety Datasheet](#)

[Safety Datasheet](#)

English

## X-ON Electronics

Largest Supplier of Electrical and Electronic Components

*Click to view similar products for [Heat Shrink Cable Boots & End Caps](#) category:*

*Click to view products by [TE Connectivity](#) manufacturer:*

Other Similar products are found below :

[577159N001](#) [645494-000](#) [CX4132-000](#) [687025-000](#) [705331-000](#) [718446-000](#) [725666N001](#) [729257-000](#) [F27131-000](#) [F85868-000](#) [770-003S106W2](#) [770-013210W1](#) [770-013311](#) [770-013312](#) [806542N001](#) [807507-000](#) [808362-000](#) [808618-000](#) [809125-000](#) [809130-000](#) [809218-000](#) [812014-000](#) [812047-000](#) [813166-000](#) [813767N002](#) [814741-000](#) [819117N001](#) [823026-000](#) [823070-000](#) [841189N001](#) [861471-000](#) [866647-000](#) [879515-000](#) [937577-000](#) [957073-000](#) [982033-2](#) [A77813-000](#) [R280576000](#) [D96192-000](#) [163549-000](#) [EN3BOOTLKIT](#) [MTPSRBCL-C](#) [1954015-1](#) [200W531-3-0](#) [202A163-4-0-CS5067](#) [202A343-3-00-0](#) [202B221-13-0](#) [202B231-13-0](#) [202B563-25-07-0](#) [202C241-13-0](#)