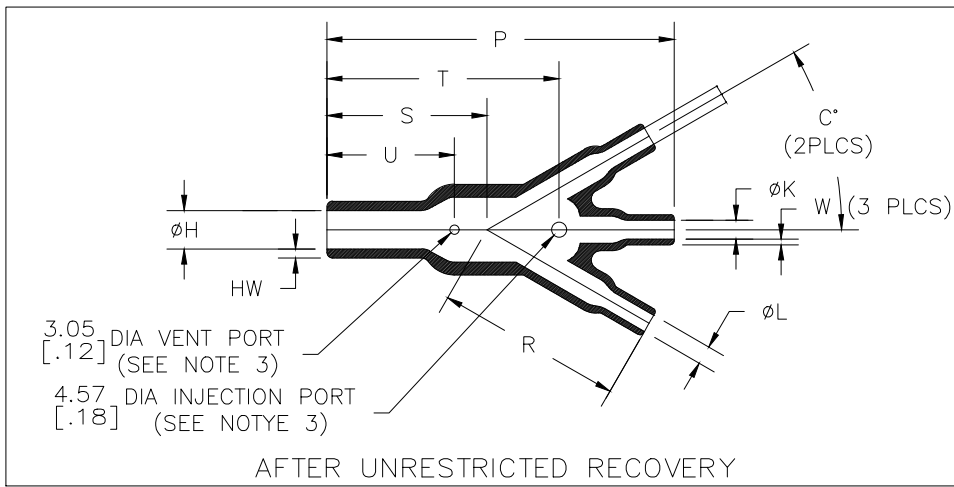
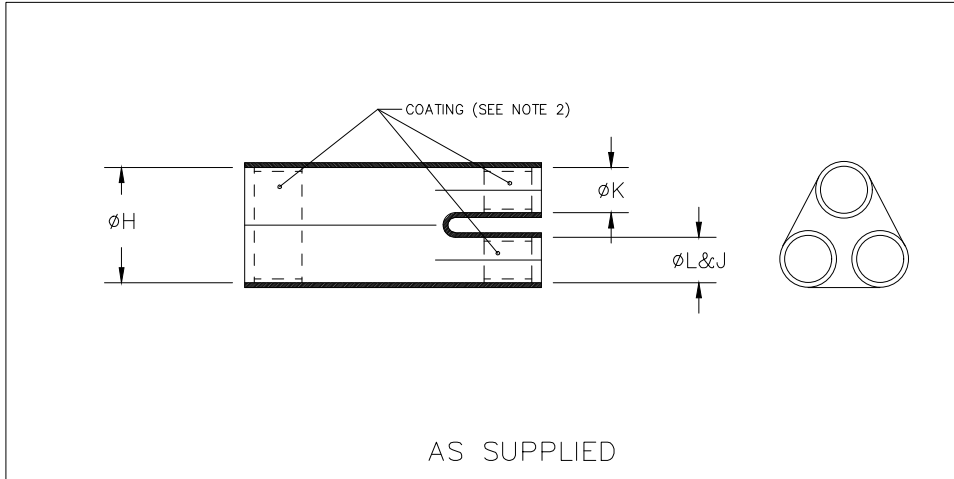


| REVISIONS | | | | | |
|-----------|-----|------------------|-----------|-----|------|
| P | LTR | DESCRIPTION | DATE | DWN | APVD |
| | U | PRODUCTION ISSUE | 30JAN2019 | PNT | MT |



| PART NUMBER | H | | J,K & L | | P | R | S | T | U | HW | W | C | Weight Nom lb/[gms] b |
|-------------|----------------|----------------|----------------|----------------|------------------|-----------------|-----------------|------------------|-----------------|---------------|---------------|-----------------|-----------------------|
| | Min a | Max b | Min a | Max b | $\pm 10\%$ b | $\pm 10\%$ b | $\pm 10\%$ b | $\pm 10\%$ b | $\pm 10\%$ b | $\pm 20\%$ b | $\pm 20\%$ b | $\pm 5^\circ$ b | |
| 462A011 | 13.2 [.52] | 6.6 [.26] | 6.6 [.26] | 3.6 [.14] | 46.2 [1.82] | 25.4 [1.00] | 20.8 [.82] | 30.5 [1.20] | 15.7 [.62] | 1.52 [.06] | 1.02 [.04] | 30° | 2.27 [.005] |
| 462A023 | 26.9 [1.06] | 13.2 [.52] | 13.2 [.52] | 6.9 [.27] | 93.2 [3.67] | 50.3 [1.98] | 42.9 [1.69] | 57.2 [2.25] | 33.0 [1.30] | 2.54 [.10] | 1.52 [.06] | 30° | 16.33 [.036] |
| 462A034 | 38.6 [1.52] | 18.8 [.74] | 19.3 [.76] | 9.7 [.38] | 135.1 [5.32] | 73.7 [2.90] | 61.5 [2.42] | 88.9 [3.50] | 45.7 [1.80] | 3.05 [.12] | 1.78 [.07] | 30° | 44.91 [.099] |
| 462A046 | 55.6 [2.19] | 25.4 [1.00] | 26.9 [1.06] | 12.4 [.49] | 192.0 [7.56] | 103.1 [4.06] | 88.9 [3.50] | 121.9 [4.80] | 71.1 [2.80] | 4.57 [.18] | 3.05 [.12] | 30° | 142.88 [.315] |
| 46AA060 | 91.4 [3.60] | 54.6 [2.15] | 45.7 [1.80] | 27.4 [1.08] | 390.4 [15.37] | 211.1 [8.31] | 179.3 [7.06] | 254.0 [10.00] | 127.0 [5.00] | 7.11 [.28] | 4.57 [.18] | 30° | 861.83 [1.900] |

RELEASED FOR PUBLICATION

ALL RIGHTS RESERVED.

THIS DRAWING IS UNPUBLISHED.

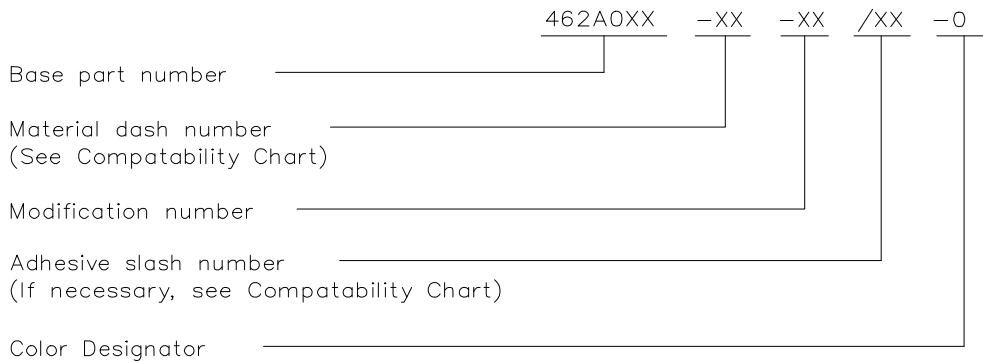
© COPYRIGHT - TE Connectivity Ltd.

| | | | | | | |
|--|------------------|-----------|----------------------|------------------|-----------------------------|---------------|
| DIMENSIONS: mm [INCHES] | DWN | 30JAN2019 | MATERIAL | SEE SHEET 2 | FINISH | - |
| | CHK | 30JAN2019 | TE Connectivity Ltd. | | | |
| TOLERANCES UNLESS OTHERWISE SPECIFIED: | APVD | 30JAN2019 | | | | |
| | PRODUCT SPEC | - | SIZE | CAGE CODE | DRAWING NO | RESTRICTED TO |
| 0 PLC ± - | APVD | 30JAN2019 | A4 | 00779 | C- 462A011-XX-0THRU060-XX-0 | - |
| 1 PLC ± - | PRODUCT SPEC | - | WEIGHT | CUSTOMER DRAWING | | |
| 2 PLC ± - | APPLICATION SPEC | - | SCALE | DNS | SHEET 1 of 2 | REV U |
| 3 PLC ± - | WEIGHT | - | | | | |

| REVISIONS | | | | | |
|-----------|-----|-------------|------|-----|------|
| P | LTR | DESCRIPTION | DATE | DWN | APVD |
| | - | SEE SHEET 1 | - | - | - |

| COMPATABILITY CHART | | | | |
|---------------------|-----------------------------------|---------|-------------------|-------------------|
| MATERIAL DASH NO. | MATERIAL DESCRIPTION | RT SPEC | COATING SLASH NO. | COATING S NO. |
| -3 | Polyolefin, Semi-rigid | RT-301 | /42;/86;/180 | S1017;S1048;S1030 |
| -4 | Polyolefin, Flexible | RT-1304 | /42;/86;/180 | S1017;S1048;S1030 |
| -12 | Fluoroelastomer, Flexible | RT-1312 | N/A | N/A |
| -25 | Elastomer, Fluid Resistant | RW-2070 | /42;/86;/225 | S1017;S1048;S1206 |
| -100 | Polyolefin, semi-flexible Zerohal | RW-2082 | /86; /180 | S1048; S1030 |


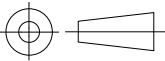
ORDERING INFORMATION



NOTES

- Dimensions appearing in table are as follows:
 - a - As Supplied
 - b - After Unrestricted Recovery
- Coating is optional. As supplied dimensions appearing in table are for uncoated parts. When coating is added, entry diameters will be reduced by 1.5mm[.06] max.
- Molding ports are optional. When -00 modification number is specified molding ports will be located as shown.
- Part number 462A060 is not available in -12, or -100 material.
- Weight shown in table of dimensions is based on ployolefin part.
- Part number 462A046 and 462A060 is not available in-152.

THIS DRAWING IS UNPUBLISHED. ALL RIGHTS RESERVED. COPYRIGHT - TE Connectivity Ltd.

| | | | | |
|--|---|--------------------|---|--------------------|
| DIMENSIONS: mm [INCHES] | DWN PRAVEEN N T | 30JAN2019 | MATERIAL SEE SHEET 2 | FINISH - |
| | CHK N NAGAR | 30JAN2019 |  TE Connectivity Ltd. | |
| TOLERANCES UNLESS OTHERWISE SPECIFIED: | APVD M TAYLOR | 30JAN2019 | | |
| | 0 PLC ± - | PRODUCT SPEC - | SIZE A4 | CAGE CODE 00779 |
| 1 PLC ± - | APPLICATION SPEC - | RESTRICTED TO - | SCALE DNS | |
| 2 PLC ± - | WEIGHT | SHEET 2 OF 2 | | |
| 3 PLC ± - |  | REV U | | |
| 4 PLC ± - | | CUSTOMER DRAWING | | |
| ANGLES ± - | | | | |

X-ON Electronics

Largest Supplier of Electrical and Electronic Components

Click to view similar products for [Heat Shrink Cable Boots & End Caps](#) category:

Click to view products by [TE Connectivity](#) manufacturer:

Other Similar products are found below :

[577159N001](#) [645494-000](#) [CX4132-000](#) [687025-000](#) [705331-000](#) [718446-000](#) [725666N001](#) [729257-000](#) [F27131-000](#) [F85868-000](#) [770-003S106W2](#) [806542N001](#) [807507-000](#) [808059-000](#) [808362-000](#) [808618-000](#) [809125-000](#) [809130-000](#) [809218-000](#) [812014-000](#) [812047-000](#) [813166-000](#) [813767N002](#) [814741-000](#) [819117N001](#) [823026-000](#) [823070-000](#) [825002-000](#) [841189N001](#) [861471-000](#) [866647-000](#) [879515-000](#) [937577-000](#) [957073-000](#) [982033-2](#) [A77813-000](#) [R280576000](#) [D96192-000](#) [163549-000](#) [MTPSRBCL-C](#) [1954015-1](#) [200W531-3-0](#) [202A163-4-0-CS5067](#) [202A343-3-00-0](#) [202B221-13-0](#) [202B231-13-0](#) [202B563-25-07-0](#) [202C241-13-0](#) [202D121-4-01/86-0](#) [202D132-4-07/42-0](#)