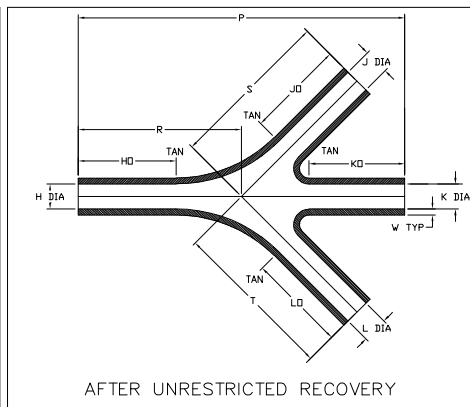
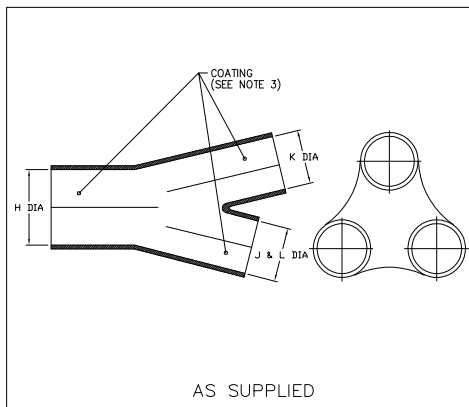


# Molded Parts Specification Control Drawing

Part Number : 462A421 thru 423  
Description : Slimline Transition, 4 Entry

## NOTES

- All dimensions are in  $\frac{\text{inches}}{\text{[millimeters]}}$
- Dimensions appearing in table are as follows:
  - a - As Supplied
  - b - After Unrestricted Recovery
- Coating is optional. As supplied dimensions appearing in table are for uncoated parts. When coating is added, entry diameters will be reduced by .06 max.



PART NUMBER	H		J,K & L		HO,JO,KO & LO ±15% b	W Nom b	P Nom b	R,S & T Nom b
	Min a	Max b	Min a	Max b				
462A421	.78 [19,8]	.26 [6,6]	.52 [13,2]	.26 [6,6]	1.00 [25,4]	.04 [1,0]	3.38 [85,9]	1.69 [42,9]
462A422	1.35 [34,3]	.45 [11,4]	.81 [20,6]	.45 [11,4]	1.62 [41,1]	.05 [1,3]	5.34 [135,6]	2.67 [67,8]
462A423	2.37 [60,2]	.79 [20,1]	1.42 [36,1]	.79 [20,1]	2.50 [63,5]	.06 [1,5]	8.16 [207,3]	4.08 [103,6]



Revision : U1  
Date : 20APR11

Part Number : 462A421 thru 423  
Description : Slimline Transition, 4 Entry

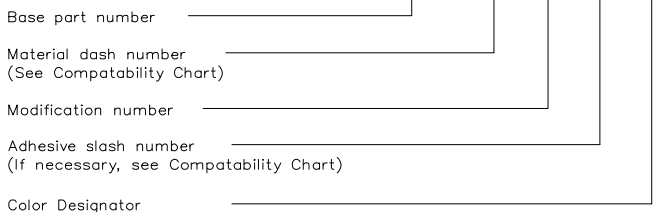
# Molded Parts Specification Control Drawing

Part Number : 462A421 thru 423  
Description : Slimline Transition, 4 Entry

MATERIAL DASH NO.	MATERIAL DESCRIPTION	RT SPEC	COATING SLASH NO.	COATING S NO.	COATING DESCRIPTION
-50	Flexible, VPB	RT-1313	N/A		
-51	Flexible, EPB	RT-1321	/164	S-1124	Adhesive
-71	Flexible, Polyolefin	RT-1316	/42,/86	S-1017,S-1048	Adhesive
-125	Modified Fluoropolymer	RT-1334	N/A		
-770	NBCCS	RT-770 TYPE II	N/A		
-780	NBCCS	RT-780 TYPE II	N/A		

## ORDERING INFORMATION

462A4XX -XXX -XX /XXX -0



**IF THIS DOCUMENT IS PRINTED IT BECOMES UNCONTROLLED.  
CHECK FOR THE LATEST REVISION.**

THIS DRAWING IS SUBJECT TO CHANGE WITHOUT NOTICE; CONSULT YOUR NEAREST FIELD REPRESENTATIVE FOR CURRENT REVISION



Revision : U1  
Date : 20APR11

Part Number : 462A421 thru 423  
Description : Slimline Transition, 4 Entry

## X-ON Electronics

Largest Supplier of Electrical and Electronic Components

*Click to view similar products for [Heat Shrink Cable Boots & End Caps](#) category:*

*Click to view products by [TE Connectivity](#) manufacturer:*

Other Similar products are found below :

[577159N001](#) [645494-000](#) [CX4132-000](#) [687025-000](#) [705331-000](#) [718446-000](#) [725666N001](#) [729257-000](#) [F27131-000](#) [F85868-000](#) [770-003S106W2](#) [770-013210W1](#) [770-013311](#) [770-013312](#) [806542N001](#) [807507-000](#) [808362-000](#) [808618-000](#) [809125-000](#) [809130-000](#) [809218-000](#) [812014-000](#) [812047-000](#) [813166-000](#) [813767N002](#) [814741-000](#) [819117N001](#) [823026-000](#) [823070-000](#) [825002-000](#) [841189N001](#) [861471-000](#) [866647-000](#) [879515-000](#) [937577-000](#) [957073-000](#) [982033-2](#) [A77813-000](#) [R280576000](#) [D96192-000](#) [163549-000](#) [EN3BOOTLKIT](#) [MTPSRBCL-C](#) [1954015-1](#) [200W531-3-0](#) [202A163-4-0-CS5067](#) [202A343-3-00-0](#) [202B221-13-0](#) [202B231-13-0](#) [202B563-25-07-0](#)