



Relays, Contactors & Switches > Switches > Toggle Switches



Configuration (Pole-Throw): **Double Pole - Double Throw**

Bushing Thread Size: **M12 x .75**

Sealed: **Yes**

Contact Base Material: **Copper Alloy**

Switch Contact Plating Material: **Silver**

## Features

### Product Type Features

Product Type	Switch
Sealed	Yes
Toggle Style	Baton Standard
Switch Type	Toggle
Toggle Actuation	Vertical

### Configuration Features

Configuration (Pole-Throw)	Double Pole - Double Throw
Operating Function	(On) Off (On)

### Electrical Characteristics

Dielectric Strength	1500 VAC
Insulation Resistance	1000 MΩ
Contact Resistance	10 mΩ
Voltage Rating	125 V, 250 V

### Body Features

Color	Black
Bushing Thread Size	M12 x .75
Seal Type	Waterproof
Bushing Style	Threaded

### Contact Features

Contact Base Material	Copper Alloy
Switch Contact Plating Material	Silver
Contact Current Rating	6 A

#### Termination Features

Termination Type	Lead Wire - Hooking Type, Vertical
------------------	------------------------------------

#### Mechanical Attachment

Mounting Type	Solder
---------------	--------

#### Housing Features

Process Sealed	No
----------------	----

#### Dimensions

Toggle Length	10.5 mm[.413 in]
---------------	------------------

#### Industry Standards

UL Flammability Rating	UL 94V-0
------------------------	----------

### Product Compliance

[For compliance documentation, visit the product page on TE.com>](#)

EU RoHS Directive 2011/65/EU	Compliant with Exemptions
EU ELV Directive 2000/53/EC	Compliant
China RoHS 2 Directive MIIT Order No 32, 2016	Restricted Materials Above Threshold
EU REACH Regulation (EC) No. 1907/2006	Current ECHA Candidate List: JUL 2019 (201) Candidate List Declared Against: JUL 2019 (201) Does not contain REACH SVHC
EU REACH Regulation (EC) No. 1907/2006	Current ECHA Candidate List: JUL 2019 (201) Candidate List Declared Against: JUL 2019 (201)
Halogen Content	BFR/CFR/PVC Free, but Br/Cl >900 ppm in other sources.
Solder Process Capability	Wave solder capable to 265°C

#### Product Compliance Disclaimer

This information is provided based on reasonable inquiry of our suppliers and represents our current actual knowledge based on the information they provided. This information is subject to change. The part numbers that TE has identified as EU RoHS compliant have a maximum concentration of 0.1% by weight in homogenous materials for lead, hexavalent chromium, mercury, PBB, PBDE, DBP, BBP, DEHP, DIBP, and 0.01% for cadmium, or qualify for an exemption to these limits as defined in the Annexes of Directive 2011/65/EU (RoHS2). Finished electrical and electronic equipment products

will be CE marked as required by Directive 2011/65/EU. Components may not be CE marked. Additionally, the part numbers that TE has identified as EU ELV compliant have a maximum concentration of 0.1% by weight in homogenous materials for lead, hexavalent chromium, and mercury, and 0.01% for cadmium, or qualify for an exemption to these limits as defined in the Annexes of Directive 2000/53/EC (ELV). Regarding the REACH Regulations, TE's information on SVHC in articles for this part number is still based on the European Chemical Agency (ECHA) 'Guidance on requirements for substances in articles' (Version: 2, April 2011), applying the 0.1% weight on weight concentration threshold at the finished product level. TE is aware of the European Court of Justice ruling of September 10th, 2015 also known as O5A (Once An Article Always An Article) stating that, in case of 'complex object', the threshold for a SVHC must be applied to both the product as a whole and simultaneously to each of the articles forming part of its composition. TE has evaluated this ruling based on the new ECHA "Guidance on requirements for substances in articles" (June 2017, version 4.0) and will be updating its statements accordingly.

## Compatible Parts



TE Model / Part # 2-6437630-0  
FTD0904=MINIATURE TOGGLE



TE Model / Part # 7-6437630-2  
AWTN1504 = POWER TOGGLE



TE Model / Part # 3-6437630-5  
F4TN0904=MINIATURE TOGGLE

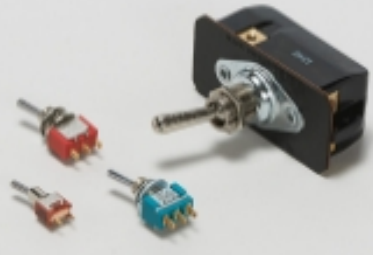


TE Model / Part # 7-6437630-0  
AWTD1504 = POWER TOGGLE



TE Model / Part # 8-6437630-0  
A4TK15W04

## Also in the Series | [Alcoswitch F Series](#)



Toggle Switches(28)

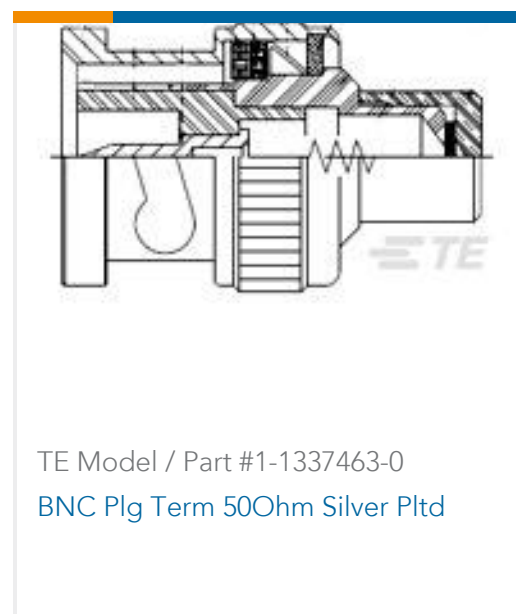
## Customers Also Bought



TE Model / Part #1-1337429-0  
BNC Str Plg Hex 75Ohm Silver Pltd  
RG59B/



TE Model / Part #1622406-1  
LR1 1% 270R



TE Model / Part #1-1337463-0  
BNC Plg Term 50Ohm Silver Pltd



TE Model / Part #4-6437630-6  
FTP0904=MINIATURE TOGGLE



TE Model / Part #1-1337416-0  
N Str Plg Hex 50Ohm Silver Pltd  
RG58C/U,



TE Model / Part #1622578-1  
LR1 1% 82K



TE Model / Part #1-1478907-0  
SMA STR PLG S/CLMP RG58 GSS



TE Model / Part #5-6437630-5  
FTG0904=MINIATURE TOGGLE



TE Model / Part #5-6437630-7  
FTF0904=MINIATURE TOGGLE



TE Model / Part #1622511-1  
LR1 1% 51R

## Documents

### Product Drawings

[FTS0904=MINIATURE TOGGLE](#)

English

### CAD Files

[3D PDF](#)

3D

Customer View Model

[ENG\\_CVM\\_CVM\\_4-6437630-3\\_A.2d\\_dxf.zip](#)

English

Customer View Model

[ENG\\_CVM\\_CVM\\_4-6437630-3\\_A.3d\\_igs.zip](#)

English

Customer View Model

[ENG\\_CVM\\_CVM\\_4-6437630-3\\_A.3d\\_stp.zip](#)

English

By downloading the CAD file I accept and agree to the [Terms and Conditions](#) of use.

### Datasheets & Catalog Pages



[SWITCHES\\_CORE\\_PROGRAM\\_CATALOG](#)

English

[F\\_SERIES\\_SWITCHES\\_QUICK\\_REF\\_GUIDE\\_1-1773458-9](#)

English

## X-ON Electronics

Largest Supplier of Electrical and Electronic Components

*Click to view similar products for [Toggle Switches](#) category:*

*Click to view products by [TE Connectivity](#) manufacturer:*

Other Similar products are found below :

[A19HV](#) [8A1-C-222](#) [60012L](#) [6006L](#) [6663](#) [7101MD9V30GE](#) [7101SPDV30BE](#) [7103SDV30BE](#) [7105D](#) [7108P3YAV2BE](#) [71YY50282](#)  
[7201MD9AVBE](#) [7301K38](#) [7306K36](#) [7310K36](#) [7314K36](#) [7506K4](#) [7592K6](#) [7691K14](#) [7700K1](#) [8396K108](#) [8824K14](#) [8828K13](#) [G2VX](#) [G3VX](#)  
[PS83-121G](#) [A101MD9AB04](#) [A101SD9AB04](#) [A101SDCQ04](#) [A103SD9AQ04](#) [A107TZB04](#) [A123P32YZQ](#) [A123S1YZG](#) [A127S1YCQ](#) [1-](#)  
[1825192-0](#) [A131S1YZQ](#) [A201SCWZB04](#) [A207SYCB04](#) [A208J61ZQ0004](#) [A221K12KAG](#) [A221S1YZQ](#) [A221T1TCQ](#) [A232K12KZQ](#)  
[A232M1YCQ](#) [A323S1CWZQ](#) [A423S1CWZG-M8](#) [A423S1YZQ](#) [12149A-3V](#) [12156AX408](#) [12147AGKX679](#)