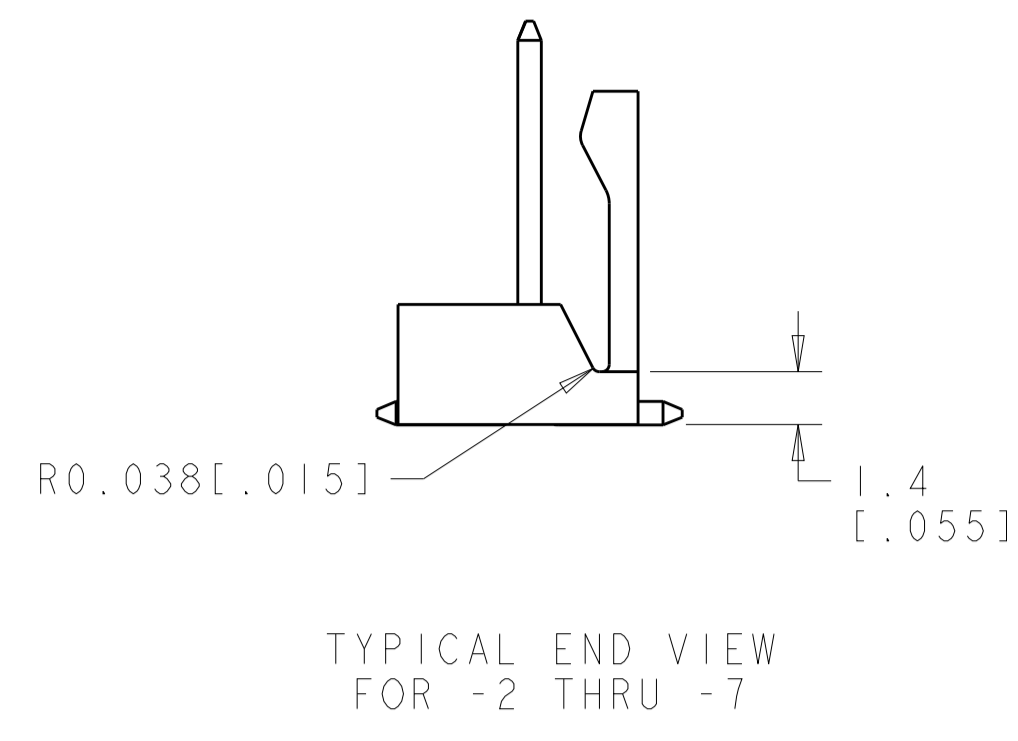
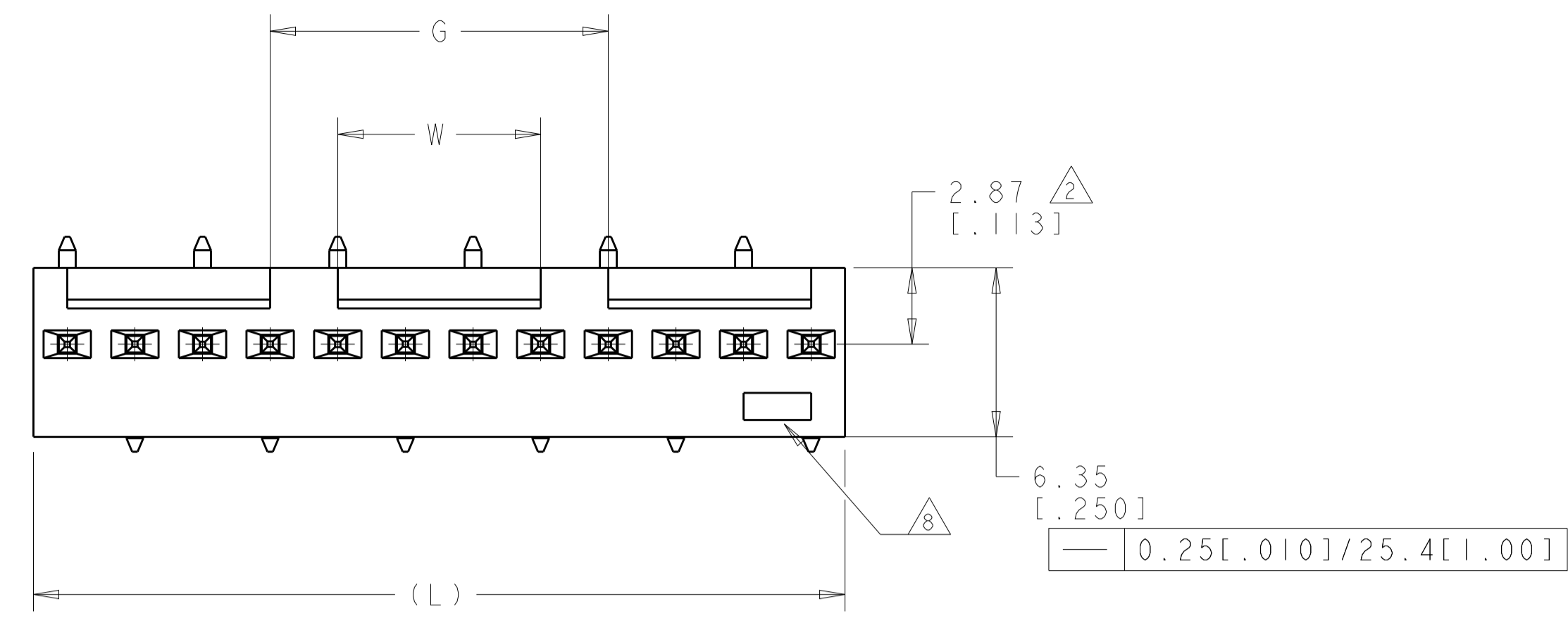
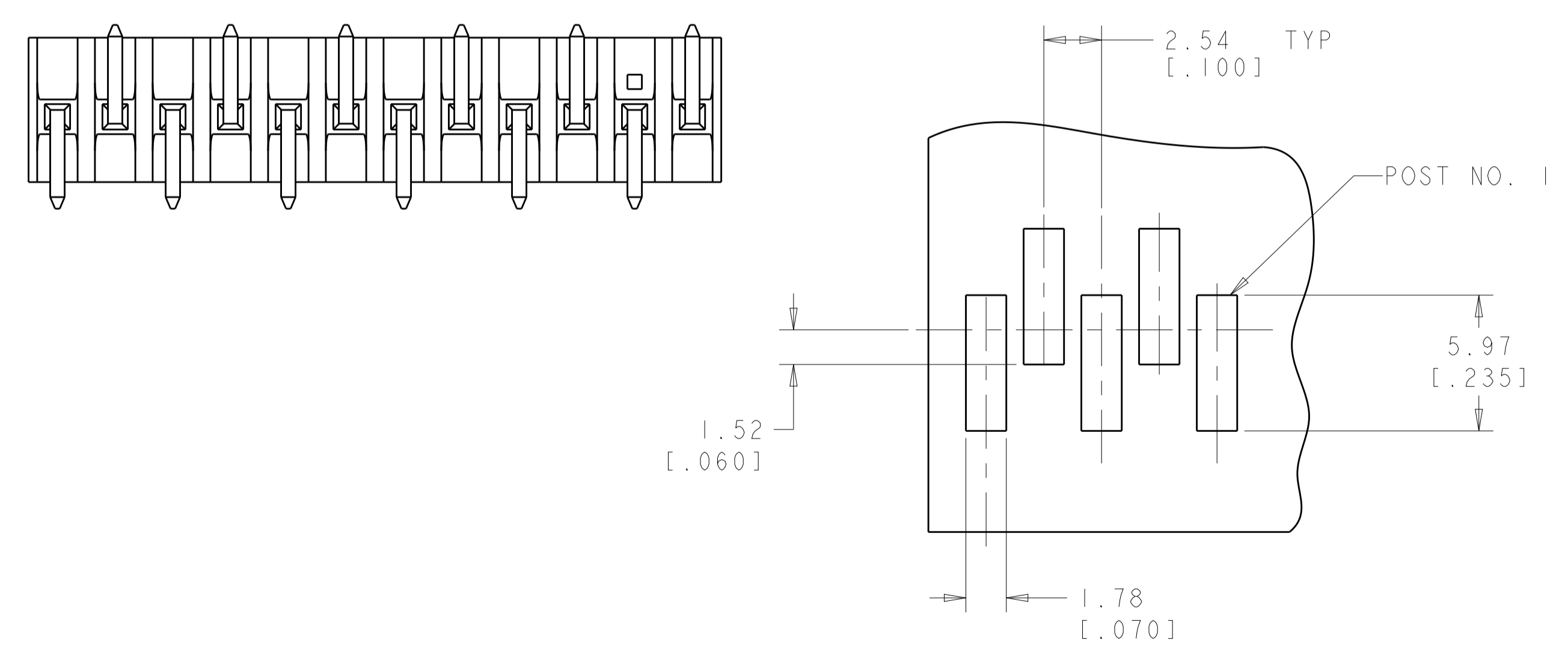
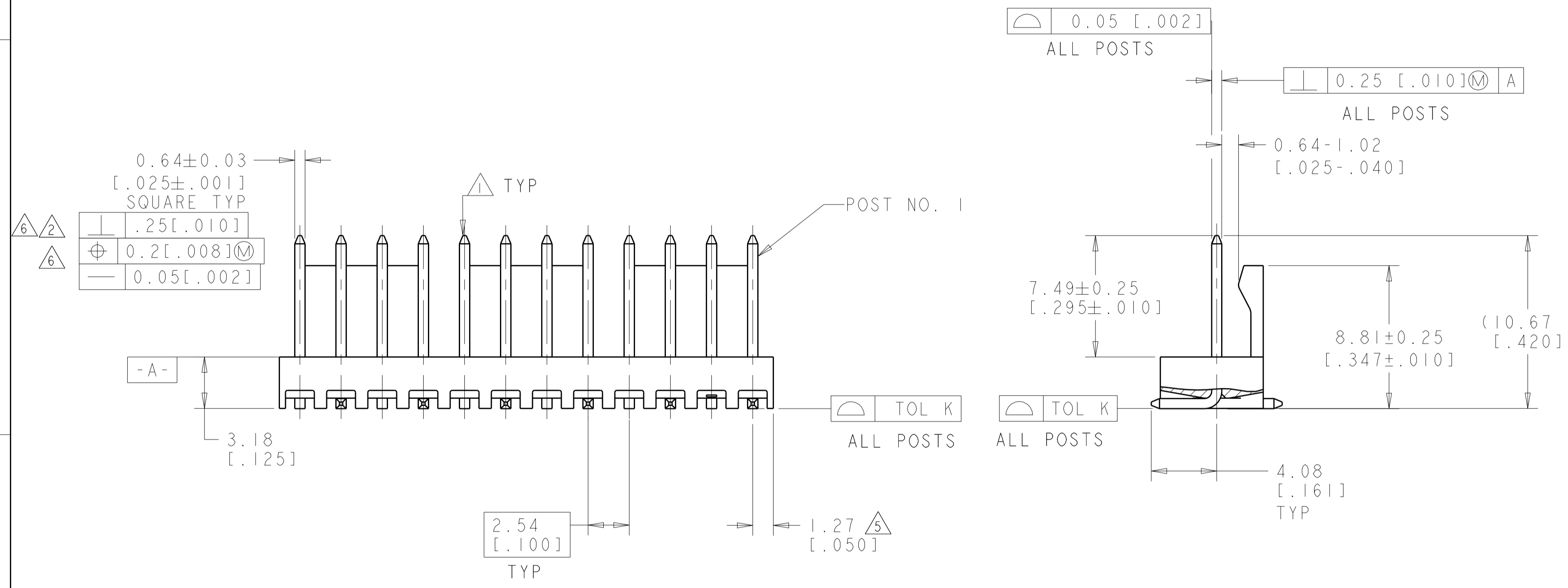


REVISIONS				
P.	LTN.	DESCRIPTION	DATE	APVD.
R1		REVISED PER ECR-18-004355	13JUL2018	BDA SG
R2		REVISED PER ECR-19-014111	22OCT2019	PC SW
R3		REVISED PER ECN-20-100194	09JUL2020	BDA SW



- 1. POST WITHSTAND 13 NEWTONS (3 LBS) MIN AXIAL FORCE IN DIRECTION SHOWN WITHOUT DISLODGING.
- 2. MEASURED AT [-A-].
- 3. PARTS COMPLY WITH SOLDERABILITY SPEC 109-11-2.
- 4. MATERIAL: HOUSING: NYLON, 4/6, HIGH TEMP, BLACK.
POST -2 THRU -12 COPPER ALLOY TIN LEAD (93/7) PLATING.
POST -32 THRU -48 COPPER ALLOY TIN PLATING.
- 5. COORDINATE DIMENSION APPLIES FROM CENTER OF ACTUAL FEATURE.
- 6. POSTS TO BE MEASURED WHEN STRIP HELD FLAT.
- 7. DIMENSIONS IN BRACKETS ARE IN INCHES.
- 8. TE LOGO, UL, AND CSA TRADEMARKS TO APPEAR ON THIS SURFACE.



RECOMMENDED MOUNTING HOLE PATTERN FOR USE WITH 0.25 [0.010] THICK STENCIL

0.20 [0.008]	12.70 [0.500]	27.94 [1.100]	45.72 [1.800]	18	4-647166-8
0.20 [0.008]	12.70 [0.500]	17.78 [0.700]	35.56 [1.400]	14	4-647166-4
0.15 [0.006]	7.62 [0.300]	12.70 [0.500]	30.48 [1.200]	12	4-647166-2
0.15 [0.006]	-	10.16 [0.400]	27.94 [1.100]	11	4-647166-1
0.15 [0.006]	-	7.62 [0.300]	25.40 [1.000]	10	4-647166-0
0.15 [0.006]	-	5.08 [0.200]	22.86 [0.900]	9	3-647166-9
0.15 [0.006]	-	2.54 [0.100]	20.32 [0.800]	8	3-647166-8
0.15 [0.006]	-	-	17.78 [0.700]	7	3-647166-7
0.15 [0.006]	-	-	15.24 [0.600]	6	3-647166-6
0.15 [0.006]	-	-	12.70 [0.500]	5	3-647166-5
0.15 [0.006]	-	-	10.16 [0.400]	4	3-647166-4
0.15 [0.006]	-	-	7.62 [0.300]	3	3-647166-3
0.15 [0.006]	-	-	5.08 [0.200]	2	3-647166-2
OBSOLETE	0.20 [0.008]	12.70 [0.500]	27.94 [1.100]	18	1-647166-8
OBSOLETE	0.20 [0.008]	12.70 [0.500]	17.78 [0.700]	14	1-647166-4
OBSOLETE	0.15 [0.006]	7.62 [0.300]	12.70 [0.500]	12	1-647166-2
OBSOLETE	0.15 [0.006]	-	10.16 [0.400]	11	1-647166-1
OBSOLETE	0.15 [0.006]	-	7.62 [0.300]	10	1-647166-0
OBSOLETE	0.15 [0.006]	-	5.08 [0.200]	9	647166-9
OBSOLETE	0.15 [0.006]	-	2.54 [0.100]	8	647166-8
OBSOLETE	0.15 [0.006]	-	-	7	647166-7
OBSOLETE	0.15 [0.006]	-	-	6	647166-6
OBSOLETE	0.15 [0.006]	-	-	5	647166-5
OBSOLETE	0.15 [0.006]	-	-	4	647166-4
OBSOLETE	0.15 [0.006]	-	-	3	647166-3
OBSOLETE	0.15 [0.006]	-	-	2	647166-2
	TOL K	W	G	L	NO OF POSN PART NO

THIS DRAWING IS A CONTROLLED DOCUMENT. DWN: H. WHITAKER 2-NOV-2001
CHK: D. BOSSI 14-NOV-2001
APVD: D. BOSSI 14-NOV-2001

DIMENSIONS: mm [INCHES] TOLERANCES UNLESS OTHERWISE SPECIFIED:
0 PLC ±
1 PLC ±0.381 [0.015]
2 PLC ±
3 PLC ±
4 PLC ±
ANGLES ±30°

MATERIAL: FINISH: 4

TE Connectivity
MTA-100 HEADER ASSEMBLY, SURFACE MOUNT, FRICTION LOCK, .025 SQUARE STRAIGHT POST, TIN OR TIN-LEAD PLATED

SIZE: A100779 C=647166
SCALE: 5:1 SHEET 1 OF 1 REV: 3

X-ON Electronics

Largest Supplier of Electrical and Electronic Components

Click to view similar products for [Headers & Wire Housings](#) category:

Click to view products by [TE Connectivity](#) manufacturer:

Other Similar products are found below :

[95000-104TRLF](#) [10135584-644402LF](#) [DF62W-EP2022PCA](#) [95000-106TRLF](#) [DF62W-2022SCA](#) [DF62W-EP2022PC](#) [2203348](#) [DF62W-2022SC](#) [1084018](#) [1029039](#) [1084017](#) [802-10-012-10-002000](#) [1112640](#) [1112639](#) [000-34000](#) [0009482033](#) [0009507031](#) [57102-S06-03LF](#) [57202-S52-04LF](#) [PCN6-15S-2.5E](#) [0039019024](#) [58102-G61-06LF](#) [582553-1](#) [0009508121](#) [0050291907](#) [018731A](#) [LY20-4P-DT1-P1E-BR](#) [02.125.8002.8](#) [60101931](#) [60598-1 \(Cut Strip\)](#) [M1625-3R/100](#) [61062-3](#) [61082-181009](#) [636-1427](#) [638009-1](#) [641938-9](#) [641991-4](#) [644168-1](#) [647662-1](#) [65039-019ELF](#) [65817-002LF](#) [65817-015LF](#) [65863-015LF](#) [66207-023LF](#) [67016-026LF](#) [67046-001LF](#) [67095-007LF](#) [68002-116](#) [68016-236H](#) [68648-049](#)