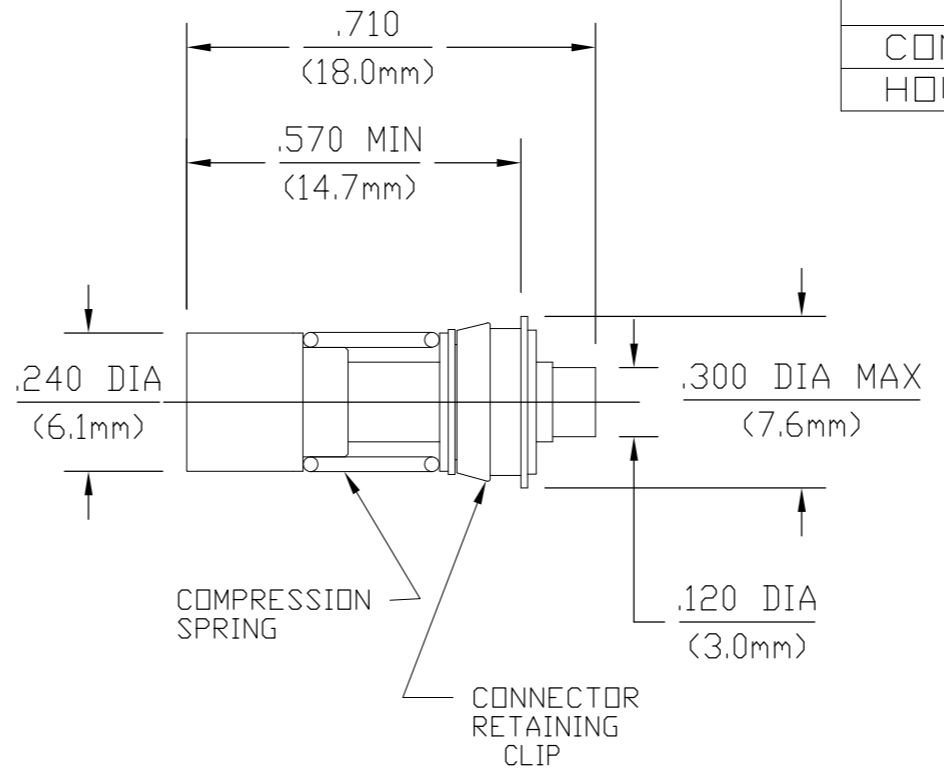
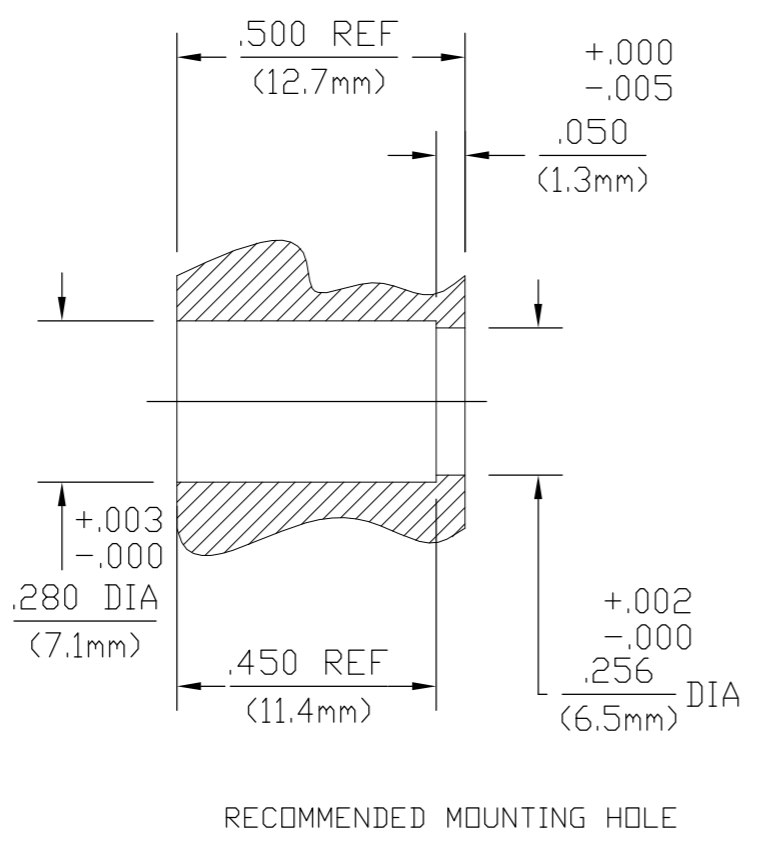


THIS DRAWING IS UNPUBLISHED. RELEASED FOR PUBLICATION  
 © COPYRIGHT BY TYCO ELECTRONICS CORPORATION. ALL INTERNATIONAL RIGHTS RESERVED.

LOC		DIST		REVISIONS			
P	LTR	DESCRIPTION	DATE	DWN	APVD		
		B		REVISED PER ECO-10-021639	27OCT2010	KF	JO



DESIGNED FOR USE WITH .085 S/R CABLE	
CABLE ENTRY DIAMETER MINIMUM	
CONTACT	.021
HOUSING	.091

- 1 STAINLESS STEEL.
- 2 BERYLLIUM COPPER.
- 3 PTFE.
- 4 GOLD PLATE OVER NICKEL PLATE.
- 5 GOLD PLATE OVER COPPER PLATE.
- 6 GOLD PLATE.
- 7 PASSIVATE.

ELECTRICAL	MECHANICAL	ENVIRONMENTAL
NOMINAL IMPEDANCE (OHMS) <u>50 ± 1</u>	Mating Characteristics: Insertion (MAX Lbs) <u>3</u> Withdrawal (MIN Oz) <u>0.5</u> Force to Engage (In-Lbs MAX) <u>3</u> & Disengage (In-Lbs MAX) <u>1.5</u> Center Contact Captivation Axial (Lbs) <u>4</u> Cable Retention Axial Force (Lbs MIN) <u>30</u> Torque (In-Oz MIN) <u>16</u>	TEMPERATURE RATING <u>-65° TO +105°C</u>
Frequency Range (GHz) DC to <u>.28</u>		Vibration MIL-STD-202, Method 204, Condition D
Volt Rating (VRMS MAX) @ Sea Level <u>335</u>		Shock MIL-STD-202, Method 213, Condition D
VSWR <u>1.05+0.01f(GHz)</u>		Thermal Shock MIL-STD-202, Method 107, Condition B
Insertion Loss (dB MAX) <u>.04x √f(GHz)</u>		Moisture Resistance MIL-STD-202, Method 101, Cond B
RF Leakage (dB MIN) (Interface Only, Fully Mated) <u>-(90-f(GHz))</u>		
Corona, 70,000 Ft (VRMS MIN) <u>250</u>		
Dielectric Withstanding Voltage (VRMS MIN) @ Sea Level <u>675</u>		
Contact Resistance (Milliohms MAX) Center Contact <u>6.0</u> Outer Contact <u>3.0</u> Cable to Housing <u>0.5</u>		
RF High Potential @ Sea Level (VRMS MIN @ 5 MHz) <u>675</u>		
I.R.(Megohms MIN) <u>5000</u>		

4 2	4 2	3	7 1	6 2	7 1	4 1	7 1	7 1	5 2	1059874-1
CONTACT SLEEVE	CENTER CONTACT	DIELECTRIC	WASHER	RETAINING CLIP	RETAINING RING	HOUSING	BUSHING	SPRING	CONTACT RING	PART NUMBER

THIS DRAWING IS A CONTROLLED DOCUMENT.

DWN: B.M.EDWARDS 4/19/91  
 CHK: -  
 APVD: G.D.D 9/22/92  
 PRODUCT SPEC: -  
 APPLICATION SPEC: 408-4657  
 WEIGHT: -

**Tyco Electronics** Tyco Electronics Corporation  
 Harrisburg, PA 17105-3608

NAME: OSSP FLOATING PANEL FEEDTHRU REAR MOUNT CABLE JACK DIRECT SOLDER ATTACHMENT

SIZE: A2 CAGE CODE: 00779 DRAWING NO: C=1059874 RESTRICTED TO: -

CUSTOMER DRAWING SCALE: 3:1 SHEET: 1 of 1 REV: B

1059874

## X-ON Electronics

Largest Supplier of Electrical and Electronic Components

*Click to view similar products for [RF Connectors / Coaxial Connectors](#) category:*

*Click to view products by [TE Connectivity](#) manufacturer:*

Other Similar products are found below :

[R125315120](#) [8915-1511-000](#) [89674-0827](#) [5916-1103-603](#) [6-0001-3](#) [6001-7071-019](#) [6002-7051-003](#) [6002-7551-202](#) [6059674-1](#) [619550-1](#)  
[630059-000](#) [M39012/25-0021](#) [M39012/79-3008](#) [M39030/3-01N](#) [M39030/3-03N](#) [M3933/25-36N](#) [6500-7071-046](#) [M83723/72W24576](#)  
[M83723/72W2457N](#) [6769](#) [CX050L2AQ](#) [7002-1541-010](#) [7002-1572-002](#) [7003-1572-002](#) [7010-1511-000](#) [7029-1511-060](#) [7101-1541-010](#)  
[7101-1571-002](#) [7105-1521-002](#) [7145-1521-002](#) [7209-1511-011](#) [7210-1511-015](#) [7210-1511-019](#) [7225-1512-050](#) [7242-1511-000](#) [73137-5015](#)  
[73251-0111](#) [73251-0672](#) [7325-1512-000](#) [73276-1501](#) [73366-0013](#) [73404-2300](#) [73413-6080](#) [73415-5721](#) [7405-1521-005](#) [7405-1521-802](#)  
[7406-1521-005](#) [804S01D04M040](#) [8145-1521-002](#) [81590](#)