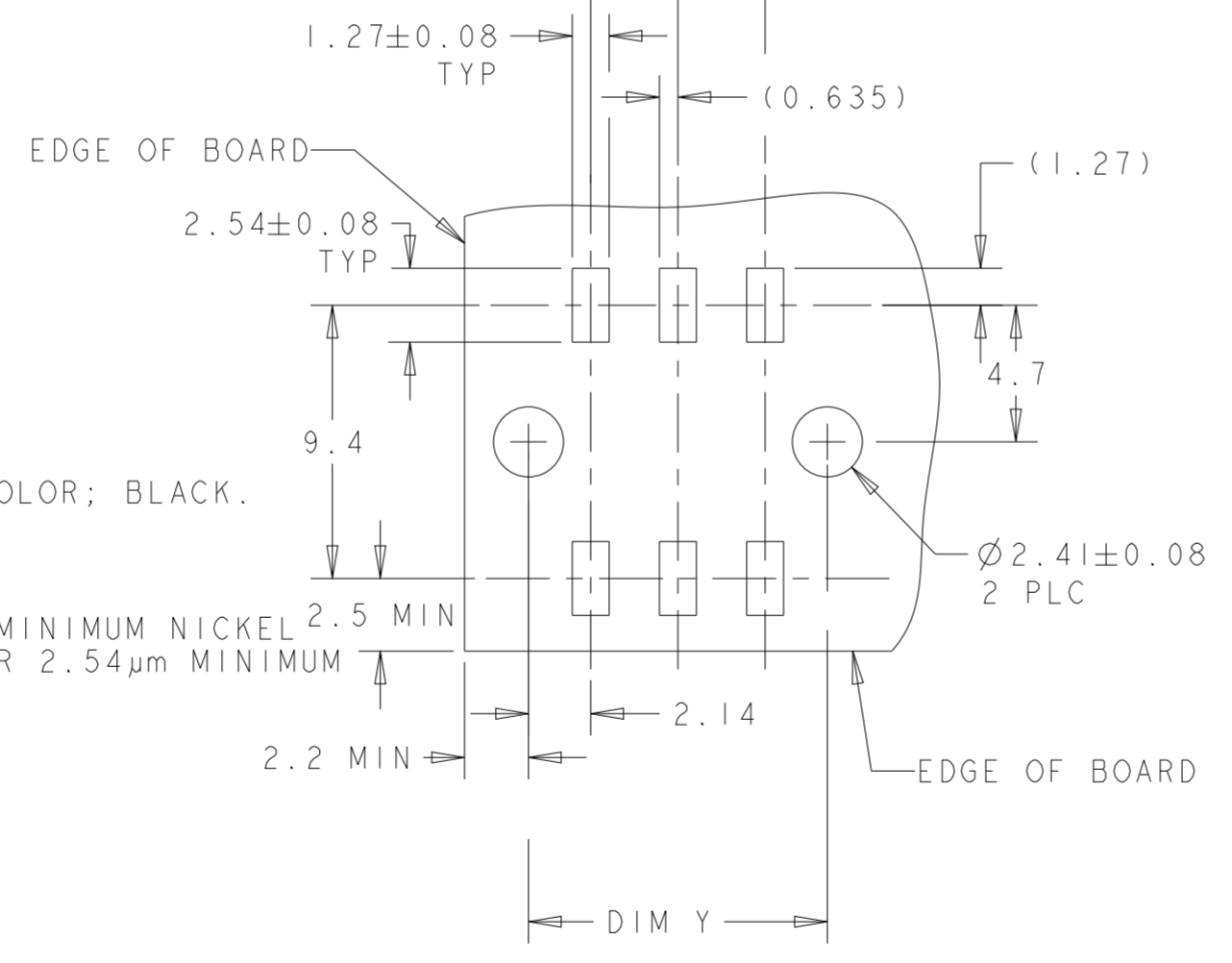
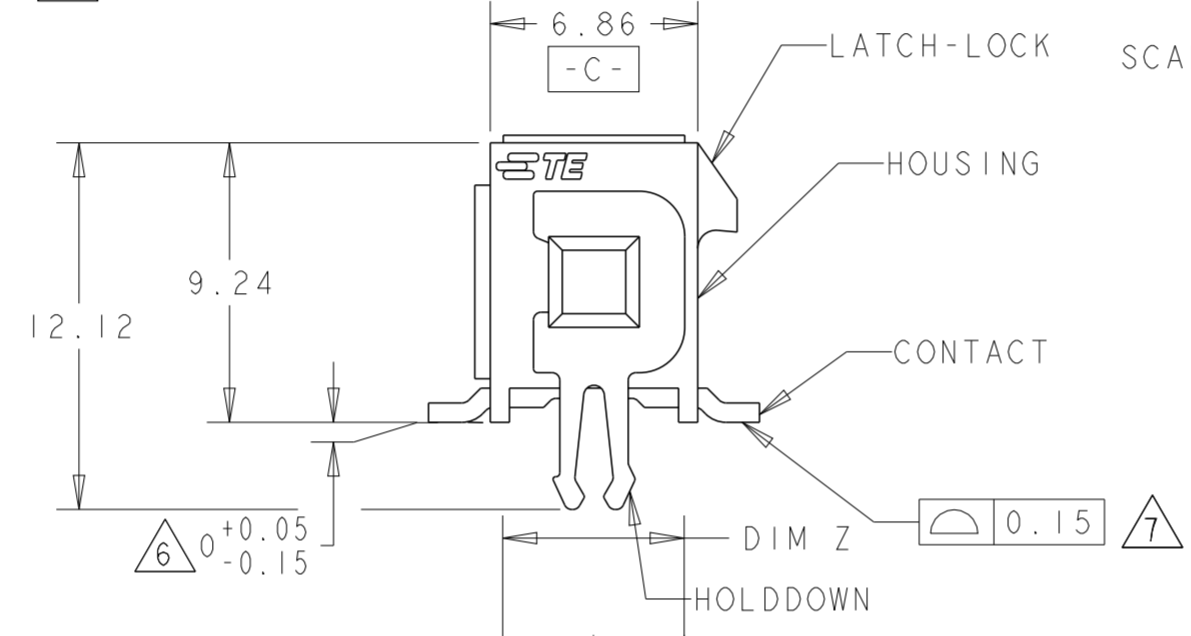
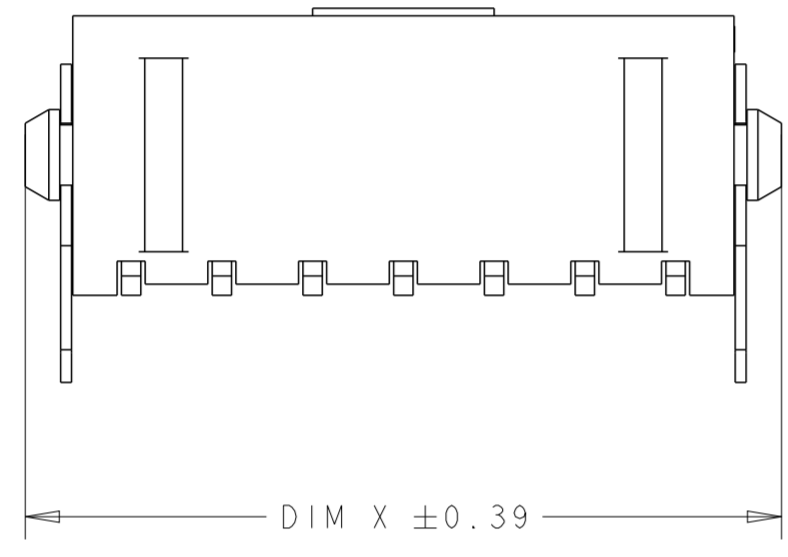
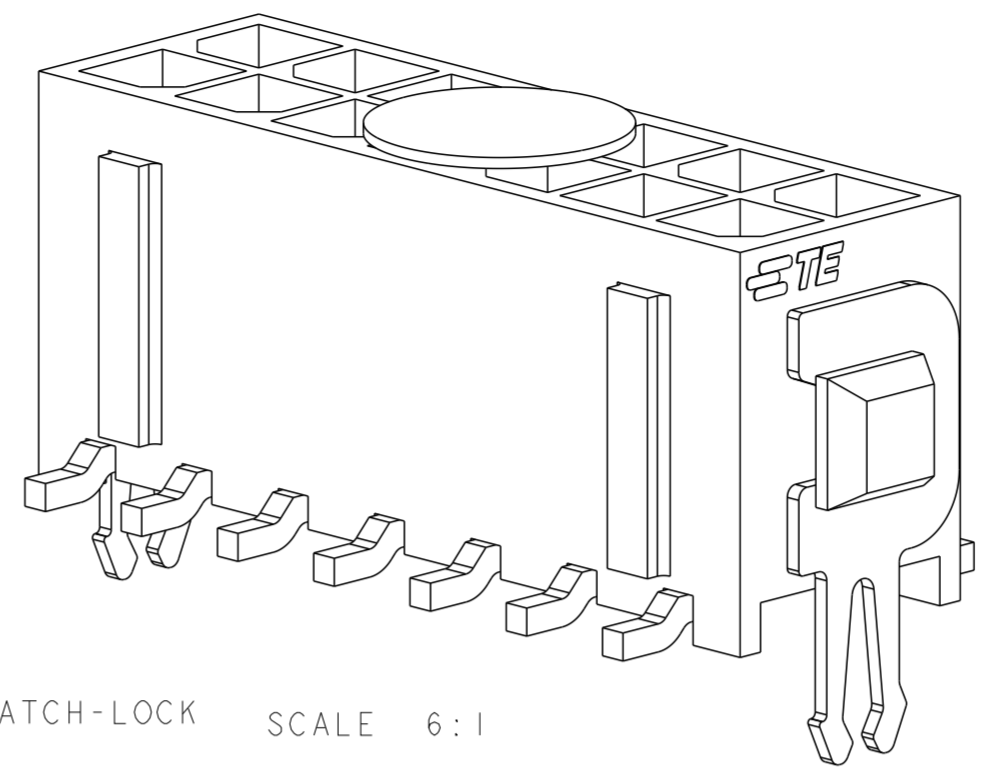
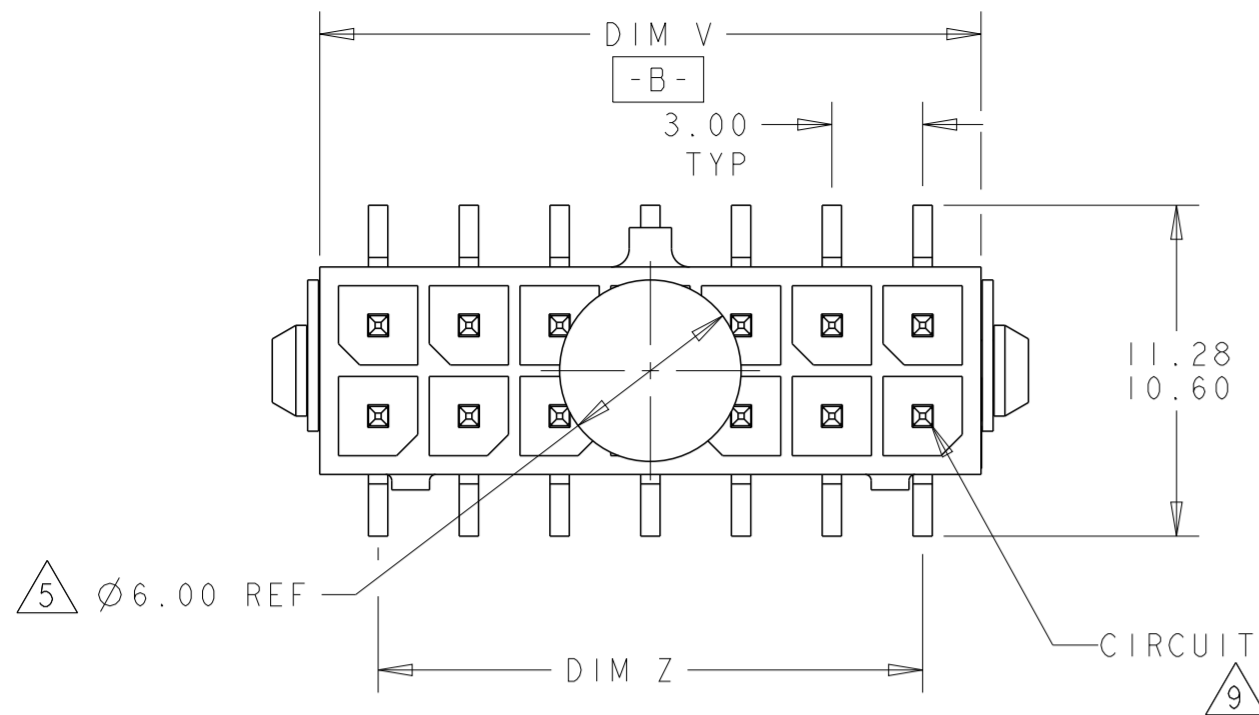


THIS DRAWING IS UNPUBLISHED. RELEASED FOR PUBLICATION 20  
 © COPYRIGHT 20 BY - ALL RIGHTS RESERVED.

REVISIONS					
P	LTR	DESCRIPTION	DATE	DWN	APVD
	J2	REVISED PER ECR-17-017609	04DEC2017	JB	DZ



FINISH	DIM V	DIM Y	DIM Z	DIM X	NO. OF POSN.	PART NUMBER
8	36.86	37.30	33.00	40.00	24	5-794634-4
8	33.86	34.30	30.00	37.00	22	5-794634-2
8	30.86	31.30	27.00	34.00	20	5-794634-0
8	27.86	28.30	24.00	31.00	18	4-794634-8
8	24.86	25.30	21.00	28.00	16	4-794634-6
8	21.86	22.30	18.00	25.00	14	4-794634-4
8	18.86	19.30	15.00	22.00	12	4-794634-2
8	15.86	16.30	12.00	19.00	10	4-794634-0
8	12.86	13.30	9.00	16.00	8	3-794634-8
8	9.86	10.30	6.00	13.00	6	3-794634-6
8	6.86	7.30	3.00	10.00	4	3-794634-4
8	3.86	4.30	-	7.00	2	3-794634-2
2	36.86	37.30	33.00	40.00	24	<del>2-794634-4</del>
2	33.86	34.30	30.00	37.00	22	<del>2-794634-2</del>
2	30.86	31.30	27.00	34.00	20	<del>2-794634-0</del>
2	27.86	28.30	24.00	31.00	18	<del>1-794634-8</del>
2	24.86	25.30	21.00	28.00	16	<del>1-794634-6</del>
2	21.86	22.30	18.00	25.00	14	<del>1-794634-4</del>
2	18.86	19.30	15.00	22.00	12	<del>1-794634-2</del>
2	15.86	16.30	12.00	19.00	10	<del>1-794634-0</del>
2	12.86	13.30	9.00	16.00	8	<del>794634-8</del>
2	9.86	10.30	6.00	13.00	6	<del>794634-6</del>
2	6.86	7.30	3.00	10.00	4	<del>794634-4</del>
2	3.86	4.30	-	7.00	2	<del>794634-2</del>

- 1 MATERIAL;  
CONTACTS - BRASS.  
HOUSING - UL 94V-0 RATED HIGH TEMP NYLON, COLOR; BLACK.  
HOLDDOWNS - PHOSPHOR BRONZE.
- 2 PLATING;  
CONTACTS - 0.38µm MINIMUM GOLD OVER 2.54µm MINIMUM NICKEL  
ON MATING AREA. 2.54µm TIN-LEAD MINIMUM OVER 2.54µm MINIMUM  
ON SOLDER TAILS.  
HOLDDOWNS - 2.54µm TIN-LEAD.
- 4 RECOMMENDED PC BOARD THICKNESS OF 1.57.
- 5 KAPTON VACUUM PICK UP BUTTON.
- 6 DIMENSION APPLIES TO SOLDER TAIL SURFACES  
AND STANDOFF SURFACES.
- 7 ALL SOLDER TAILS.
- 8 PLATING;  
CONTACTS - 0.38µm MINIMUM GOLD OVER 2.54µm MINIMUM NICKEL  
ON MATING AREA. 2.54µm MATTE TIN MINIMUM OVER 2.54µm MINIMUM  
ON SOLDER TAILS.  
HOLDDOWNS - 2.54µm MATTE TIN.
- 9 CIRCUIT NUMBER 1 IS LOCATED AT THE BOTTOM RIGHT  
WITH THE LATCH-LOCK ON TOP LOOKING INTO THE CAVITIES

SUPERSEDED BY 5-794634-4	2	36.86	37.30	33.00	40.00	24	<del>2-794634-4</del>
SUPERSEDED BY 5-794634-2	2	33.86	34.30	30.00	37.00	22	<del>2-794634-2</del>
SUPERSEDED BY 5-794634-0	2	30.86	31.30	27.00	34.00	20	<del>2-794634-0</del>
SUPERSEDED BY 4-794634-8	2	27.86	28.30	24.00	31.00	18	<del>1-794634-8</del>
SUPERSEDED BY 4-794634-6	2	24.86	25.30	21.00	28.00	16	<del>1-794634-6</del>
SUPERSEDED BY 4-794634-4	2	21.86	22.30	18.00	25.00	14	<del>1-794634-4</del>
SUPERSEDED BY 4-794634-2	2	18.86	19.30	15.00	22.00	12	<del>1-794634-2</del>
SUPERSEDED BY 4-794634-0	2	15.86	16.30	12.00	19.00	10	<del>1-794634-0</del>
SUPERSEDED BY 3-794634-8	2	12.86	13.30	9.00	16.00	8	<del>794634-8</del>
SUPERSEDED BY 3-794634-6	2	9.86	10.30	6.00	13.00	6	<del>794634-6</del>
SUPERSEDED BY 3-794634-4	2	6.86	7.30	3.00	10.00	4	<del>794634-4</del>
SUPERSEDED BY 3-794634-2	2	3.86	4.30	-	7.00	2	<del>794634-2</del>

THIS DRAWING IS A CONTROLLED DOCUMENT.

DIMENSIONS: mm

TOLERANCES UNLESS OTHERWISE SPECIFIED:

0 PLC	±
1 PLC	±
2 PLC	±0.13
3 PLC	±
4 PLC	±
ANGLES	±
FINISH	SEE TABLE

MATERIAL: 1

DWN: K. WHITAKER 19MAR2003  
 CHK: C. JONES 19MAR2003  
 APVD: C. JONES 19MAR2003

STE TE Connectivity

NAME: SURFACE MOUNT, VERTICAL, MECHANICAL HOLDDOWN, ASSEMBLY, 15 GOLD HEADER, DUAL ROW, MICRO MATE-N-LOK™

SIZE: A2 CAGE CODE: 0779 DRAWING NO: C-794634 RESTRICTED TO: -

WEIGHT: -

CUSTOMER DRAWING SCALE: 4:1 SHEET: 1 OF 1 REV: J2

## X-ON Electronics

Largest Supplier of Electrical and Electronic Components

*Click to view similar products for [Pin & Socket Connectors](#) category:*

*Click to view products by [TE Connectivity](#) manufacturer:*

Other Similar products are found below :

[6450822-1](#) [770392-1](#) [794042-1](#) [796885-1](#) [8-794535-1](#) [881459-2](#) [R929993003](#) [1-350779-3](#) [1403611-1](#) [1-480349-5](#) [152302-5](#) [1586092-1](#)  
[1586129-1](#) [1586487-1](#) [1586681-4](#) [1586700-1](#) [1586065-1](#) [1586077-1](#) [1586368-1](#) [1586380-1](#) [1586616-1](#) [1586680-5](#) [1586681-2](#) [1604996-1](#)  
[16-06-0038](#) [164164-5](#) [1-6609930-1](#) [172296-1](#) [1-794714-6](#) [19-09-2035](#) [1969804-1](#) [200503-1](#) [200788-2](#) [201046-7](#) [202648-4](#) [2029076-2](#)  
[2029090-4](#) [2029095-4](#) [2-66102-6](#) [925061-7](#) [926681-1](#) [293734-4](#) [293737-2](#) [1-765362-4](#) [1-794606-3](#) [1871534-1](#) [1969795-1](#) [1969798-1](#)  
[1969800-1](#) [200833-4](#)