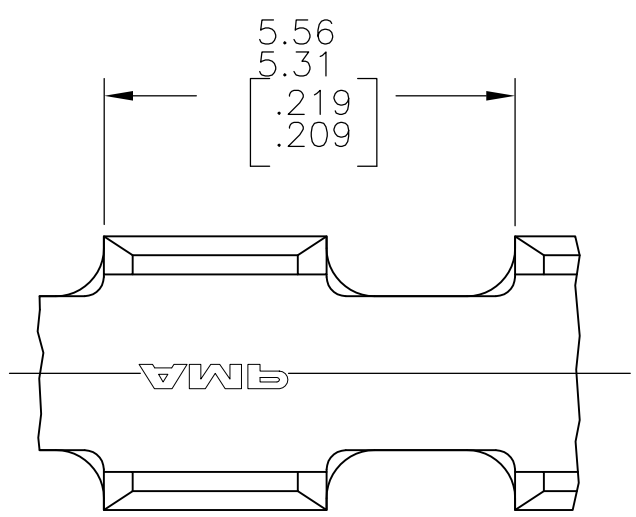
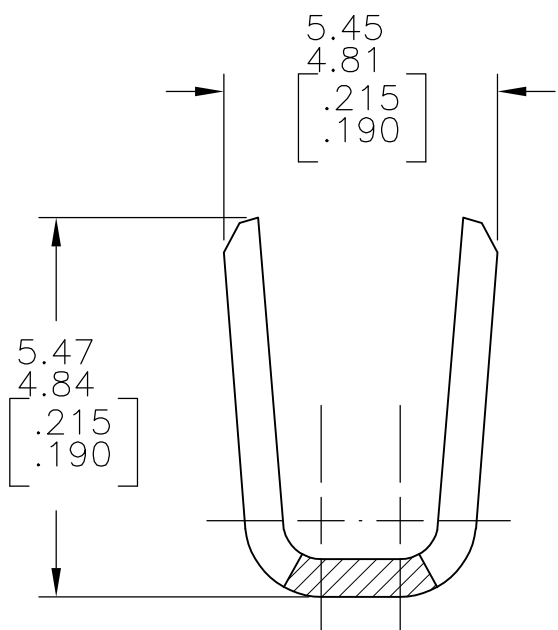
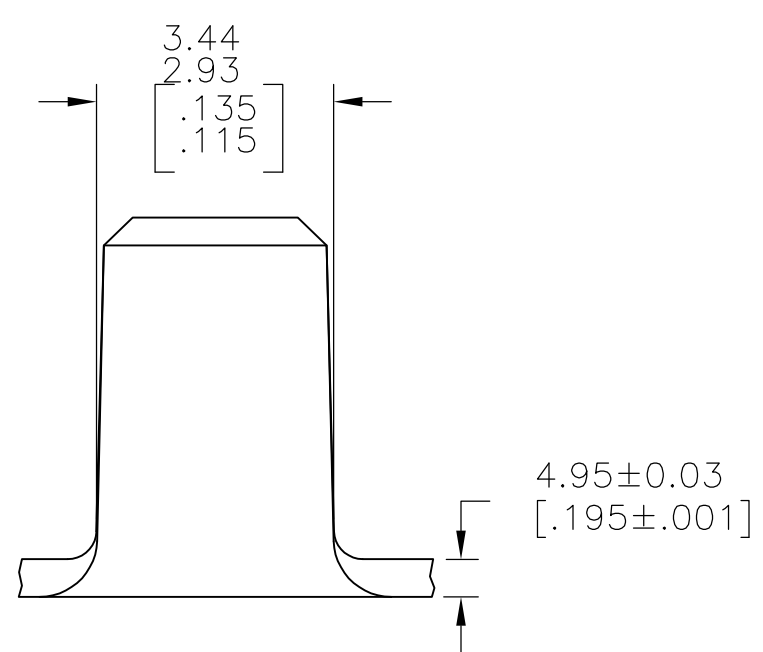


THIS DRAWING IS UNPUBLISHED. RELEASED FOR PUBLICATION
 © COPYRIGHT - By - ALL RIGHTS RESERVED.

LOC	DIST	REVISIONS					
AF	50	P	LTR	DESCRIPTION	DATE	DWN	APVD
		G1		REVISED PER ECR-11-006644	06APR11	HMR	GJ



- 1 PRODUCT PROVIDED IN CONTINUOUS (BREAK FREE) STRIP FORM ON REELS.
- 2 WIRE RANGE FOR NEW APPLICATIONS: 3.04-4.05mm²[6000-8000 CMA] (WIRE RANGE APPROVED FOR APPLICATIONS IMPLEMENTED PRIOR TO 2005: 3200-6700 CMA).
- 3 CRIMP WIDTH: 3.94[.155] F TYPE. CRIMP HEIGHT IN INCHES (+/- .002)=(TOTAL CMA OF WIRES+14750)/250000.



2	TIN	BRASS	485020-2
	TIN	STEEL	485020-1
WIRE SIZE CMA	FINISH	MATERIAL	PART NO.

THIS DRAWING IS A CONTROLLED DOCUMENT.		DWN	M.S. FEHER	14NOV2005	STE TE Connectivity		
DIMENSIONS: mm [INCHES]		CHK	G.D. PORTA	14NOV2005			
TOLERANCES UNLESS OTHERWISE SPECIFIED:		APVD	G.D. PORTA	14NOV2005	NAME		
0 PLC ± -		PRODUCT SPEC		SPLICE			
1 PLC ± -		APPLICATION SPEC		114-2088			
2 PLC ± 0.25[.010]		SIZE	A3	CAGE CODE	00779	DRAWING NO	C-485020
3 PLC ± -		WEIGHT	-		RESTRICTED TO		
4 PLC ± -		CUSTOMER DRAWING		SCALE	10:1	SHEET	1 OF 1
ANGLES ± 1°		MATERIAL		SEE TABLE		REV	G1
FINISH		SEE TABLE					

X-ON Electronics

Largest Supplier of Electrical and Electronic Components

Click to view similar products for [Terminal Block Tools & Accessories](#) category:

Click to view products by [TE Connectivity](#) manufacturer:

Other Similar products are found below :

[1029563](#) [00171430102](#) [00171420102](#) [014415](#) [CSTSPC1-2](#) [9-1437653-4](#) [928358-1](#) [QC209/J](#) [HCL10-6](#) [1437403-6](#) [1437403-9](#) [1437403-8](#)
[147832-1](#) [EC0037-000](#) [MT2/H--](#) [MT2/H-32](#) [MT6/H-N](#) [MT6/V-GRND](#) [MT8/H-101-110](#) [BB2-09BF](#) [EP2.5/4UN/BG](#) [1707755](#) [1735590](#)
[1755480](#) [1760336](#) [BO3-02](#) [1789281](#) [1840227](#) [1840230](#) [1893164](#) [2-1437402-1](#) [2-1437644-9](#) [JB2-09/J](#) [2202307](#) [2302463](#) [2305949](#) [2310581](#)
[8TK2-24](#) [91.201.1](#) [L2U2](#) [2778.0](#) [2890137](#) [2901107](#) [2901123](#) [2901699](#) [2MP/J](#) [2MV-06](#) [1705126](#) [1756294](#) [F03-25](#)