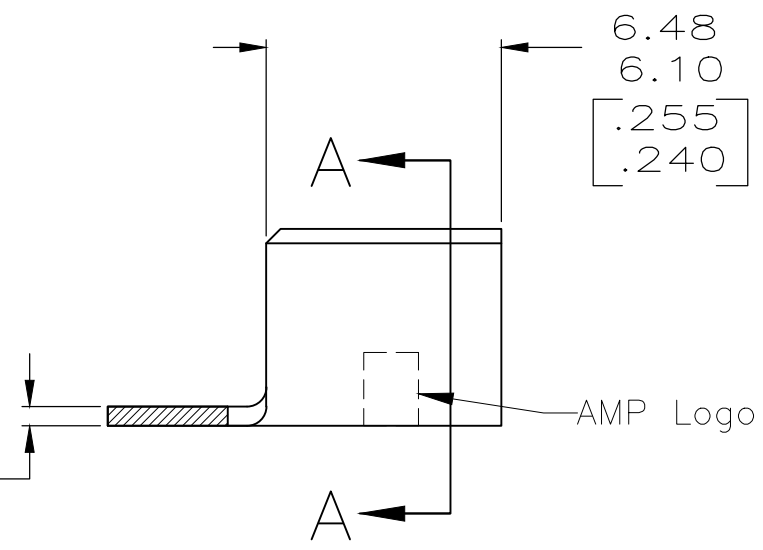
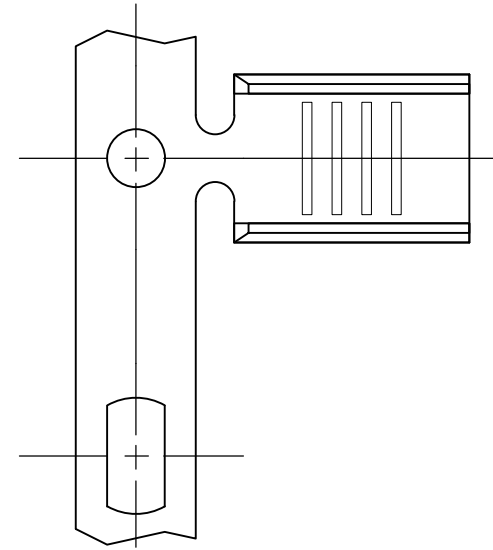
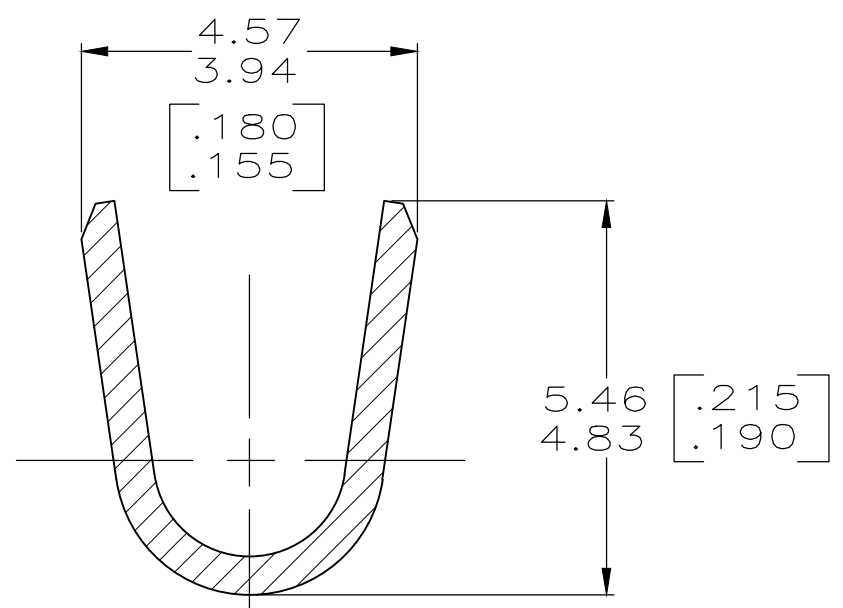


THIS DRAWING IS UNPUBLISHED. RELEASED FOR PUBLICATION
 © COPYRIGHT - By - ALL RIGHTS RESERVED.

| LOC | DIST | REVISIONS | | | | | | |
|-----|------|-----------|-----|-------------|---------------|---------|------|----|
| | | P | LTR | DESCRIPTION | DATE | DWN | APVD | |
| AF | 50 | | P3 | REVISED PER | ECR-20-005648 | 19MAY20 | LZ | EW |



0.508±0.025
[.020±.001]



SECTION A-A
SCALE 10:1

- 1 PRODUCT PROVIDED IN STRIP FORM ON REELS; BREAKS MAY BE PRESENT
- 2 SPLICE FREE REELING
- 3 WIRE RANGE FOR NEW APPLICATIONS: 4000-9000 CMA (WIRE RANGE APPROVED FOR APPLICATIONS IMPLEMENTED PRIOR TO 2005: 3000-8400 CMA).
- 4 CRIMP WIDTH = .140 F TYPE
CRIMP HEIGHT (±.002) = (TOTAL CMA + 14,400) / 223,100.
- 5 PRODUCT LUBRICANT APPLICATOR AVAILABLE FOR TE CONNECTIVITY TERMINATION EQUIPMENT MAY BE REQUIRED TO FACILITATE CRIMPING
- 6 PRELIMINARY - NOT FOR PRODUCTION.

| FINISH | MATERIAL | WIRE RANGE | PART NO. |
|----------|------------|------------|----------|
| TIN | H00 COPPER | | 485043-7 |
| | - | | - |
| | - | | - |
| NICKEL | T3 STEEL | | 485043-4 |
| OBSOLETE | TIN | T3 STEEL | 485043-3 |
| | TIN | H04 BRASS | 485043-2 |
| 2 | - | H04 BRASS | 485043-1 |

| | | | | | |
|--|--|------------------------------------|----------------------------|--|--|
| THIS DRAWING IS A CONTROLLED DOCUMENT. | | DWN 11/MAY/95 PHILLIP M FORTNEY | STE TE Connectivity | | |
| DIMENSIONS: INCHES | | CHK 11/MAY/95 JEFF R RUTH | | | |
| TOLERANCES UNLESS OTHERWISE SPECIFIED: | | APVD 11/MAY/95 MARK BARNABA | NAME | | |
| 0 PLC ± - | | PRODUCT SPEC | SPLICE | | |
| 1 PLC ± - | | 108-106466 | SIZE | | |
| 2 PLC ± 0.25 [.010] | | APPLICATION SPEC | CAGE CODE | | |
| 3 PLC ± - | | 114-2088 | DRAWING NO | | |
| 4 PLC ± - | | WEIGHT | RESTRICTED TO | | |
| ANGLES ± - | | - | A3 00779 C-485043 | | |
| MATERIAL SEE TABLE | | FINISH SEE TABLE | SCALE 5:1 | | |
| | | CUSTOMER DRAWING | SHEET 1 OF 1 | | |
| | | | REV P3 | | |

X-ON Electronics

Largest Supplier of Electrical and Electronic Components

Click to view similar products for [Terminals](#) category:

Click to view products by [TE Connectivity](#) manufacturer:

Other Similar products are found below :

[00-054007-01074-6](#) [00-054007-70206-1](#) [00-054007-70210-8](#) [00-054007-70217-7](#) [00-054007-70226-9](#) [00-054007-70228-3](#) [00-054007-70248-1](#) [00-054007-70256-6](#) [00-054007-70301-3](#) [00-054007-70316-7](#) [0-0320562-0](#) [00-054007-49560-4](#) [00-054007-70209-2](#) [00-054007-70225-2](#) [00-054007-70227-6](#) [00-054007-70231-3](#) [00-054007-70241-2](#) [00-054007-70242-9](#) [00-054007-70244-3](#) [00-054007-70246-7](#) [00-054007-70263-4](#) [00-054007-70288-7](#) [00-054007-70290-0](#) [00-054007-70300-6](#) [00-054007-70304-4](#) [01-2065-1-0216](#) [01-2900-1-04412](#) [00581P0075](#) [600TS-10](#) [60205-1](#) [604200-1](#) [605601-1](#) [60598-1-CUT-TAPE](#) [61314-6-C](#) [61810-3](#) [61-S](#) [61-SN](#) [626-0194](#) [62-NBM-A](#) [62-SN](#) [62-SP](#) [63-S](#) [640179-1](#) [M55155/059I03](#) [M55155/079C01](#) [M55155/099H02](#) [M55155/109H01](#) [M55155/109H02](#) [M55155/12XH05](#) [M55155/16XH02](#)