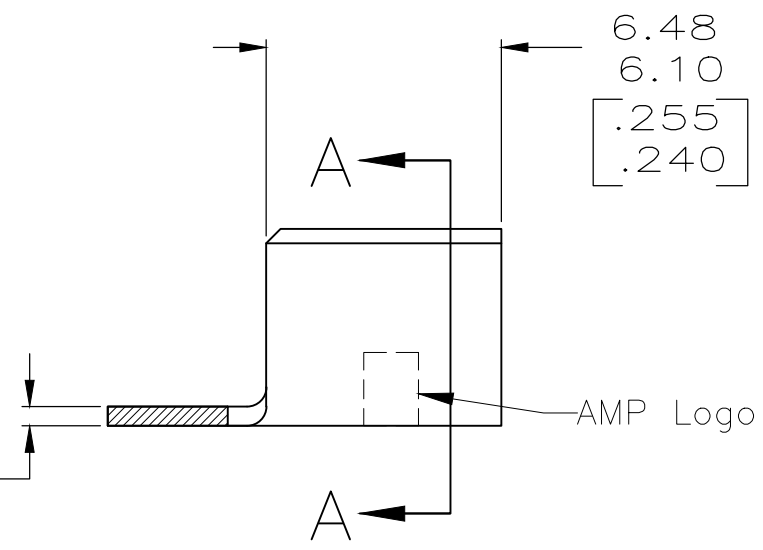
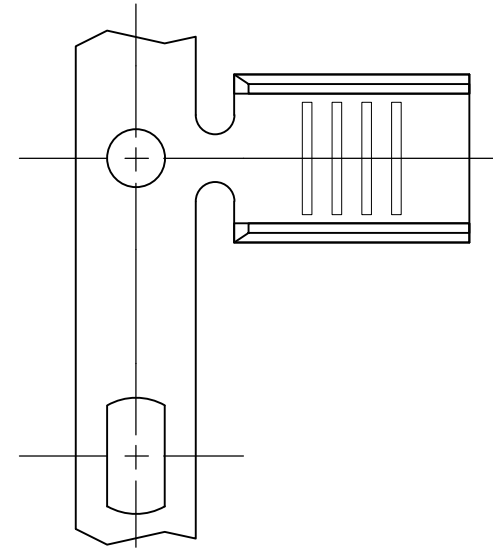
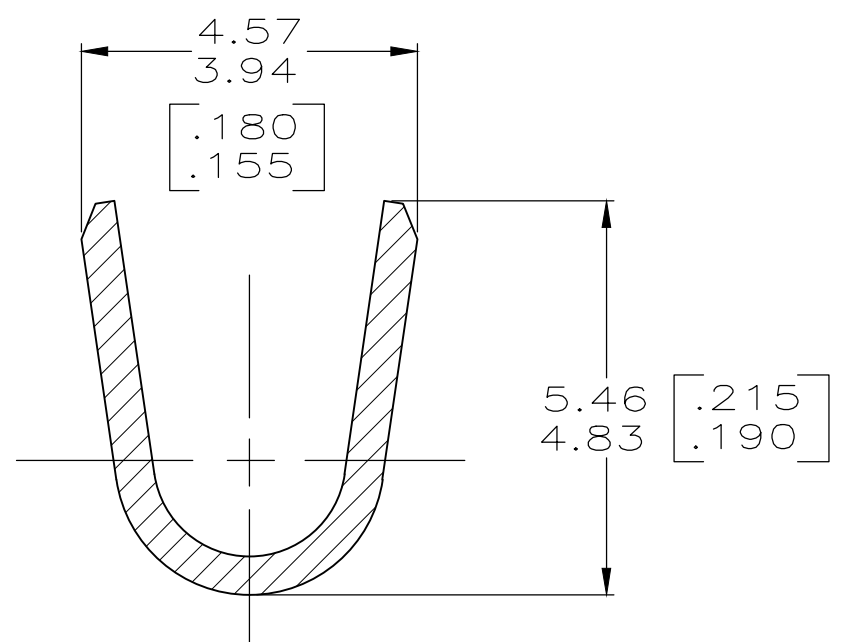


THIS DRAWING IS UNPUBLISHED. RELEASED FOR PUBLICATION
 © COPYRIGHT - By - ALL RIGHTS RESERVED.

LOC	DIST	REVISIONS						
		P	LTR	DESCRIPTION	DATE	DWN	APVD	
AF	50		P3	REVISED PER	ECR-20-005648	19MAY20	LZ	EW



0.508±0.025
[.020±.001]



SECTION A-A
SCALE 10:1

- 1 PRODUCT PROVIDED IN STRIP FORM ON REELS; BREAKS MAY BE PRESENT
- △2 SPLICE FREE REELING
- △3 WIRE RANGE FOR NEW APPLICATIONS: 4000-9000 CMA (WIRE RANGE APPROVED FOR APPLICATIONS IMPLEMENTED PRIOR TO 2005: 3000-8400 CMA).
- △4 CRIMP WIDTH = .140 F TYPE
CRIMP HEIGHT (±.002) = (TOTAL CMA + 14,400) / 223,100.
- △5 PRODUCT LUBRICANT APPLICATOR AVAILABLE FOR TE CONNECTIVITY TERMINATION EQUIPMENT MAY BE REQUIRED TO FACILITATE CRIMPING
- △6 PRELIMINARY - NOT FOR PRODUCTION.

FINISH	MATERIAL	WIRE RANGE	PART NO.
TIN	H00 COPPER		△6 485043-7
	-		-
	-		-
NICKEL	T3 STEEL	△3 △4 △5	485043-4
OBSOLETE	-TIN- T3 STEEL-		485043-3
TIN	H04 BRASS		485043-2
△2 -	H04 BRASS		485043-1

THIS DRAWING IS A CONTROLLED DOCUMENT.		DWN 11/MAY/95 PHILLIP M FORTNEY	STE TE Connectivity		
DIMENSIONS: INCHES		CHK 11/MAY/95 JEFF R RUTH			
TOLERANCES UNLESS OTHERWISE SPECIFIED:		APVD 11/MAY/95 MARK BARNABA	NAME		
0 PLC ± -		PRODUCT SPEC	SPLICE		
1 PLC ± -		108-106466	SIZE		
2 PLC ± 0.25 [.010]		APPLICATION SPEC	CAGE CODE	DRAWING NO	RESTRICTED TO
3 PLC ± -		114-2088	A3	00779	C-485043
4 PLC ± -		WEIGHT	SCALE 5:1		
ANGLES ± -			SHEET 1 OF 1		
FINISH			REV P3		
SEE TABLE			CUSTOMER DRAWING		

X-ON Electronics

Largest Supplier of Electrical and Electronic Components

Click to view similar products for [Terminals](#) category:

Click to view products by [TE Connectivity](#) manufacturer:

Other Similar products are found below :

[00-054007-01074-6](#) [00-054007-70206-1](#) [00-054007-70210-8](#) [00-054007-70217-7](#) [00-054007-70226-9](#) [00-054007-70228-3](#) [00-054007-70248-1](#) [00-054007-70256-6](#) [00-054007-70301-3](#) [00-054007-70316-7](#) [0-0320562-0](#) [00-054007-49560-4](#) [00-054007-70209-2](#) [00-054007-70225-2](#) [00-054007-70227-6](#) [00-054007-70231-3](#) [00-054007-70241-2](#) [00-054007-70242-9](#) [00-054007-70244-3](#) [00-054007-70246-7](#) [00-054007-70263-4](#) [00-054007-70288-7](#) [00-054007-70290-0](#) [00-054007-70300-6](#) [00-054007-70304-4](#) [01-2065-1-0216](#) [01-2900-1-04412](#) [00581P0075](#) [600TS-10](#) [60205-1](#) [604200-1](#) [605601-1](#) [60598-1-CUT-TAPE](#) [61314-6-C](#) [61810-3](#) [61-S](#) [61-SN](#) [626-0194](#) [62-NBM-A](#) [62-SN](#) [62-SP](#) [63-S](#) [640179-1](#) [M55155/059I03](#) [M55155/079C01](#) [M55155/099H02](#) [M55155/109H01](#) [M55155/109H02](#) [M55155/12XH05](#) [M55155/16XH02](#)