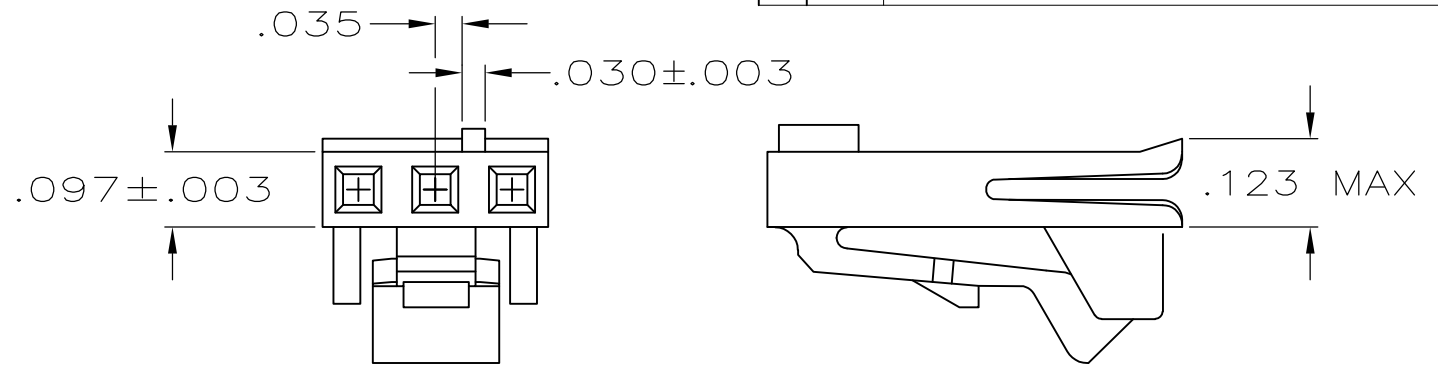
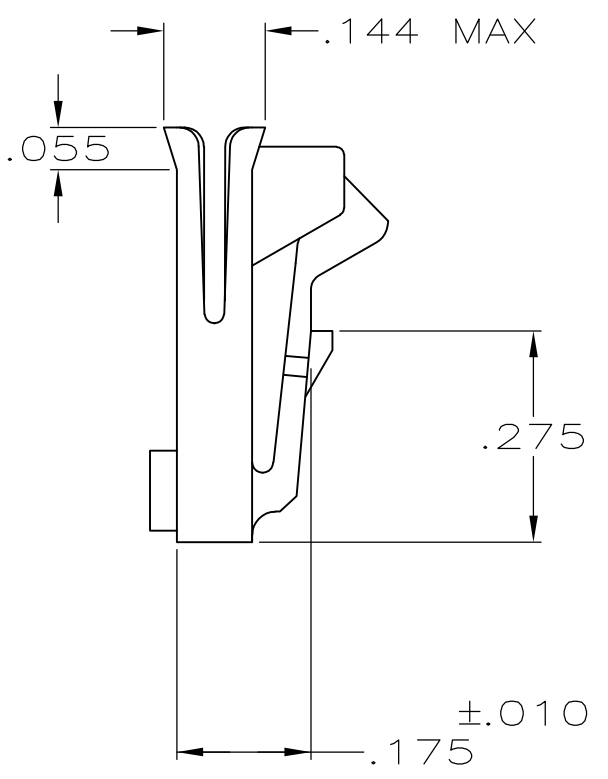
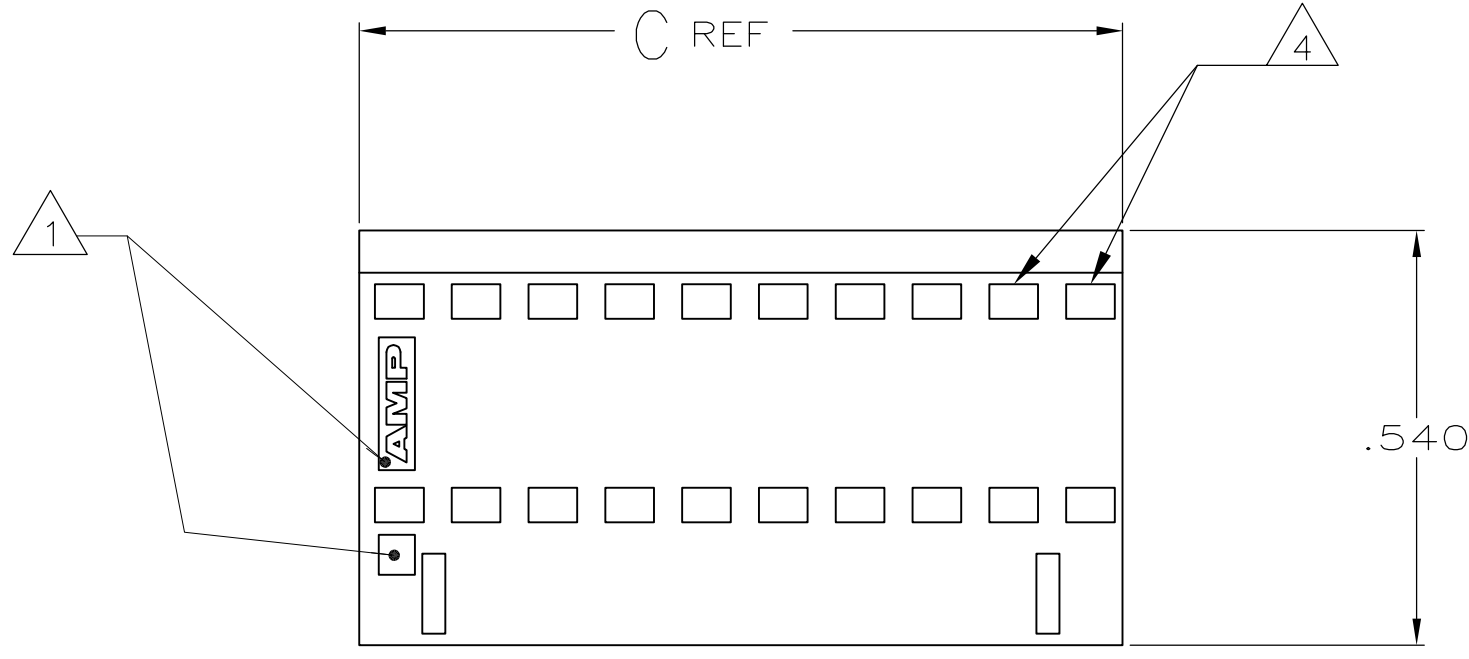
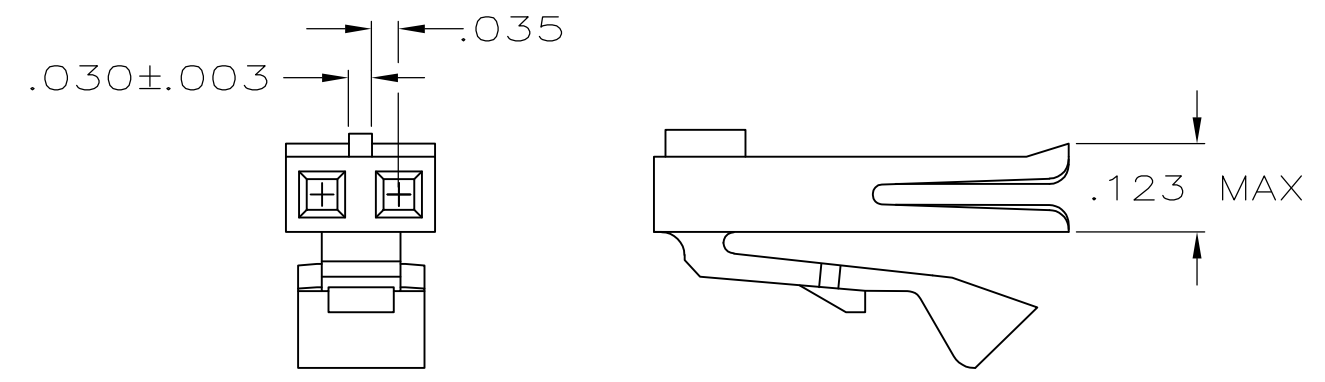


THIS DRAWING IS UNPUBLISHED. RELEASED FOR PUBLICATION  
 © COPYRIGHT - By - ALL RIGHTS RESERVED.

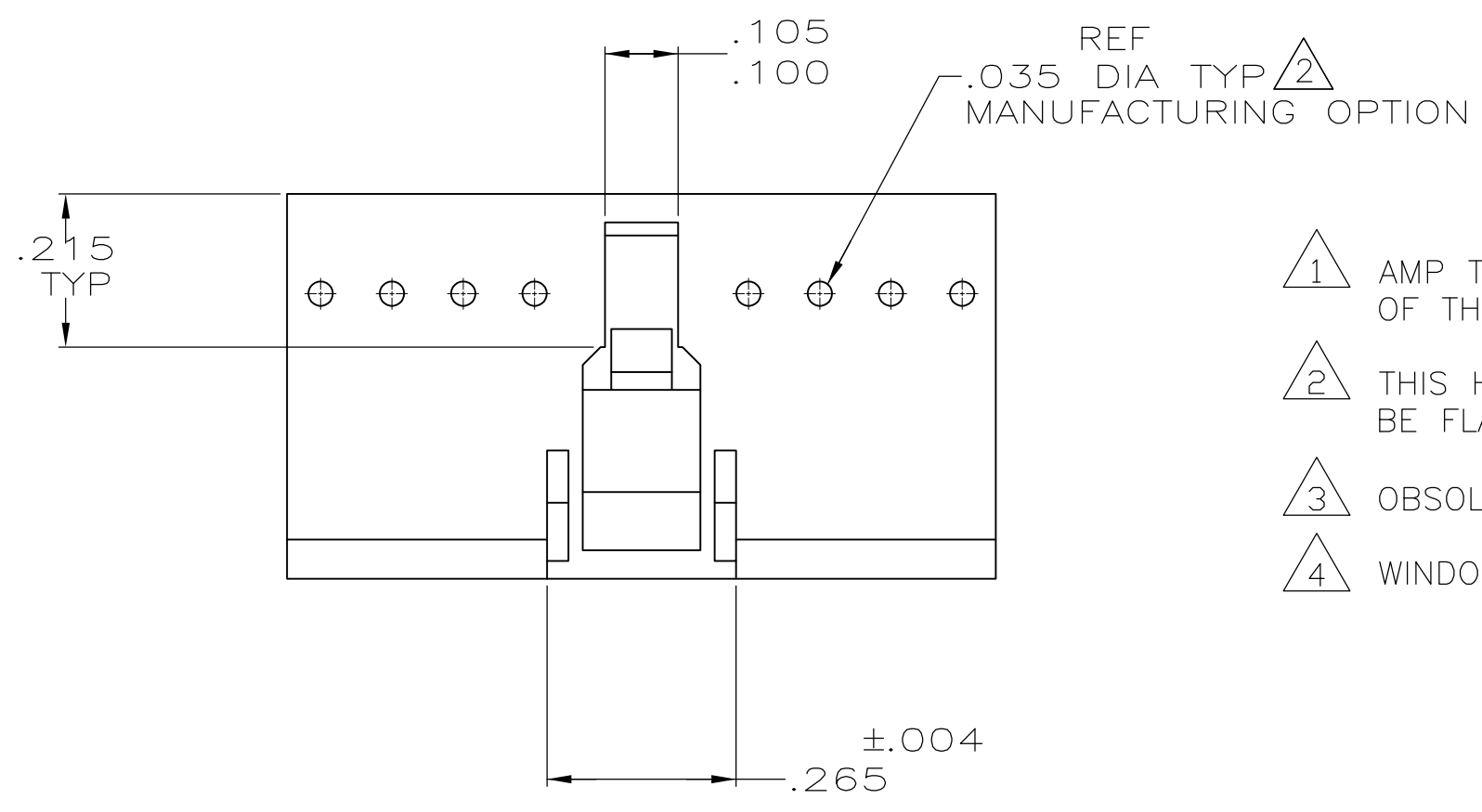
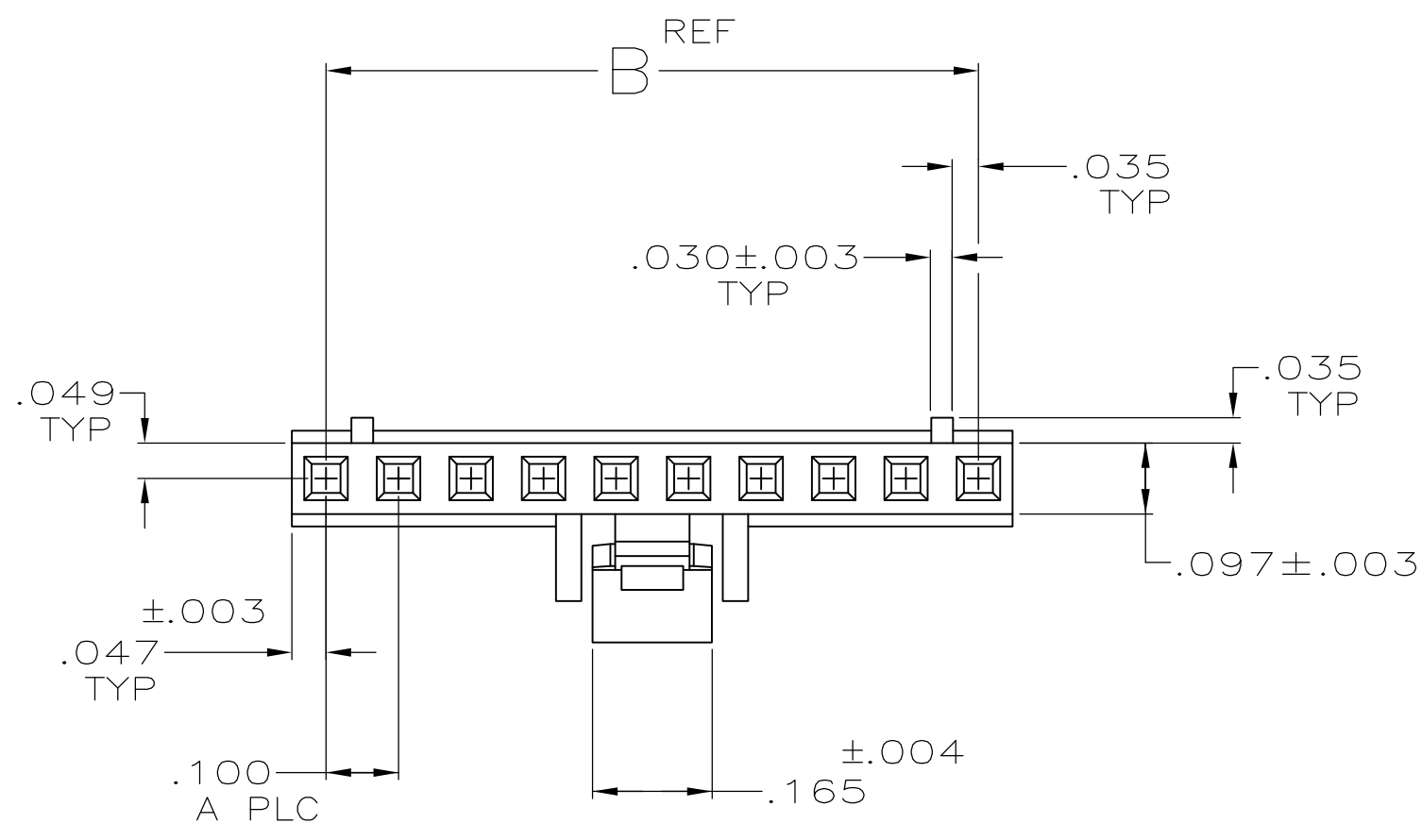
| LOC |     | DIST        |                           | REVISIONS |      |           |      |     |
|-----|-----|-------------|---------------------------|-----------|------|-----------|------|-----|
| P   | LTR | DESCRIPTION |                           |           | DATE | DWN       | APVD |     |
| GP  | 00  | AA          | REVISED PER ECO-11-017188 |           |      | 06DEC2011 | CJV  | CWR |



DETAIL FOR 3 POSN ONLY



DETAIL FOR 2 POSN ONLY



- 1 AMP TRADEMARK AND MOLD CAVITY IDENTIFICATION LOCATED AT EITHER END OF THE HOUSING IN APPROXIMATE AREA SHOWN.
- 2 THIS HOLE IS FOR MOLDING PURPOSES ONLY AND MAY BE FLASHED OVER.
- 3 OBSOLETE PARTS: OBSOLETE CIS STREAMLINING PER D.RENAUD/D.SINISI.
- 4 WINDOWS MAY OR MAY NOT BE PRESENT ON THIS END OF THE HOUSING.

|            |       |       |             |                 |
|------------|-------|-------|-------------|-----------------|
| 2.494      | 2.400 | 24    | 25          | 2-487526-4      |
| 2.394      | 2.300 | 23    | 24          | 2-487526-3      |
| 3 OBSOLETE | 2.294 | 2.200 | 22          | 2-487526-2      |
| 2.194      | 2.100 | 21    | 22          | 2-487526-1      |
| 3 OBSOLETE | 2.094 | 2.000 | 20          | 2-487526-0      |
| 1.994      | 1.900 | 19    | 20          | 1-487526-9      |
| 1.894      | 1.800 | 18    | 19          | 1-487526-8      |
| 1.794      | 1.700 | 17    | 18          | 1-487526-7      |
| 1.694      | 1.600 | 16    | 17          | 1-487526-6      |
| 1.594      | 1.500 | 15    | 16          | 1-487526-5      |
| 1.494      | 1.400 | 14    | 15          | 1-487526-4      |
| 1.394      | 1.300 | 13    | 14          | 1-487526-3      |
| 1.294      | 1.200 | 12    | 13          | 1-487526-2      |
| 1.194      | 1.100 | 11    | 12          | 1-487526-1      |
| 1.094      | 1.000 | 10    | 11          | 1-487526-0      |
| .994       | .900  | 9     | 10          | 487526-9        |
| .894       | .800  | 8     | 9           | 487526-8        |
| .794       | .700  | 7     | 8           | 487526-7        |
| .694       | .600  | 6     | 7           | 487526-6        |
| .594       | .500  | 5     | 6           | 487526-5        |
| .494       | .400  | 4     | 5           | 487526-4        |
| .394       | .300  | 3     | 4           | 487526-3        |
| .294       | .200  | 2     | 3           | 487526-2        |
| .194       | .100  | 1     | 2           | 487526-1        |
| C REF      | B     | A     | NO OF POSNS | PRODUCT PART NO |

THIS DRAWING IS A CONTROLLED DOCUMENT.

|                                  |   |
|----------------------------------|---|
| DWN P. BERRY 12-11-85            | TE Connectivity                             |
| CHK D. DOLLYHIGH 12-13-85        |   |
| APVD -                           | NAME  |
| PRODUCT SPEC 108-9024            | HOUSING, RECEPTACLE, LATCH, POLARIZED, FFC  |
| APPLICATION SPEC 114-16015       |   |
| MATERIAL THERMOPLASTIC, FINISH - | RESTRICTED TO -                             |
| WEIGHT -                         | SIZE A2 CAGE CODE 00779 DRAWING NO C=487526 |
| CUSTOMER DRAWING                 | SCALE 4:1 SHEET 1 OF 1 REV AA               |

## X-ON Electronics

Largest Supplier of Electrical and Electronic Components

*Click to view similar products for [FFC & FPC Connectors](#) category:*

*Click to view products by [TE Connectivity](#) manufacturer:*

Other Similar products are found below :

[00-6200-227-022-800](#) [006205250500825+](#) [006205280500825+](#) [FPH-1602G](#) [086222026001800](#) [52610-0675](#) [62674-201121DLF](#) [52746-1671-TR250](#) [10051922-1610EHLF](#) [10051922-2810EHLF](#) [686322124422](#) [XF3M-2915-1B-R100](#) [AYF353125A](#) [AYF530665TA](#) [AYF534065TA](#) [20FLH-RSM1-TB](#) [PCA-7F-25-HL-3-G](#) [207356-1](#) [52807-0430](#) [FFC05011-10SBB114W5M](#) [502250-8027](#) [FH28K-40S-0.5SH](#) [200528-0260](#) [FH28K-10S-0.5SH](#) [501951-1250](#) [X05B20U43T](#) [0.5K-DX-30PWB](#) [DS1020-08-10VBT12](#) [THD0515-34CL-GF](#) [X05A10L28G](#) [ECC2841061EU](#) [1.0K-DHGX-16PWB](#) [1.0K-DHGX-30PWB](#) [1775333-6](#) [10054365-202110ELF](#) [10054365-242110ELF](#) [10054365-282110ELF](#) [10064555-392220HLF](#) [59453-041110EBHLF](#) [59453-091110EDHLF](#) [62674-241141ALF](#) [62684-432100ALF](#) [62684-451100AHLF](#) [62684-5721N0ALF](#) [HFW11R-1STE1MTLF](#) [HFW12R-1STE9LF](#) [HFW14R-1STE9MTLF](#) [HFW18S-2STE9LF](#) [HFW20R-1STAE1HLF](#) [HFW20R-1STE1MTLF](#)