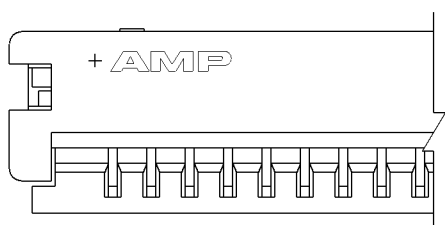
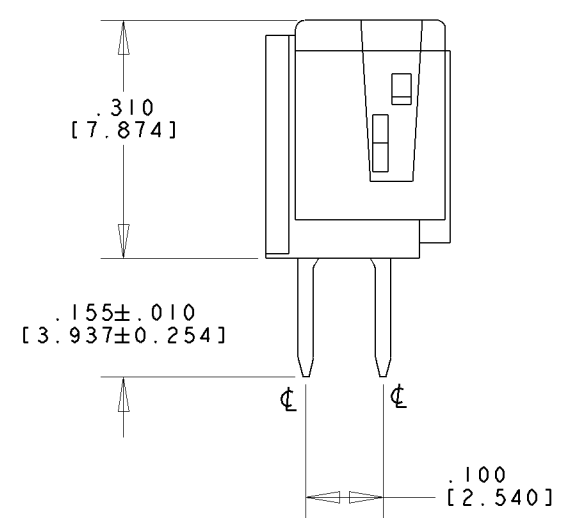
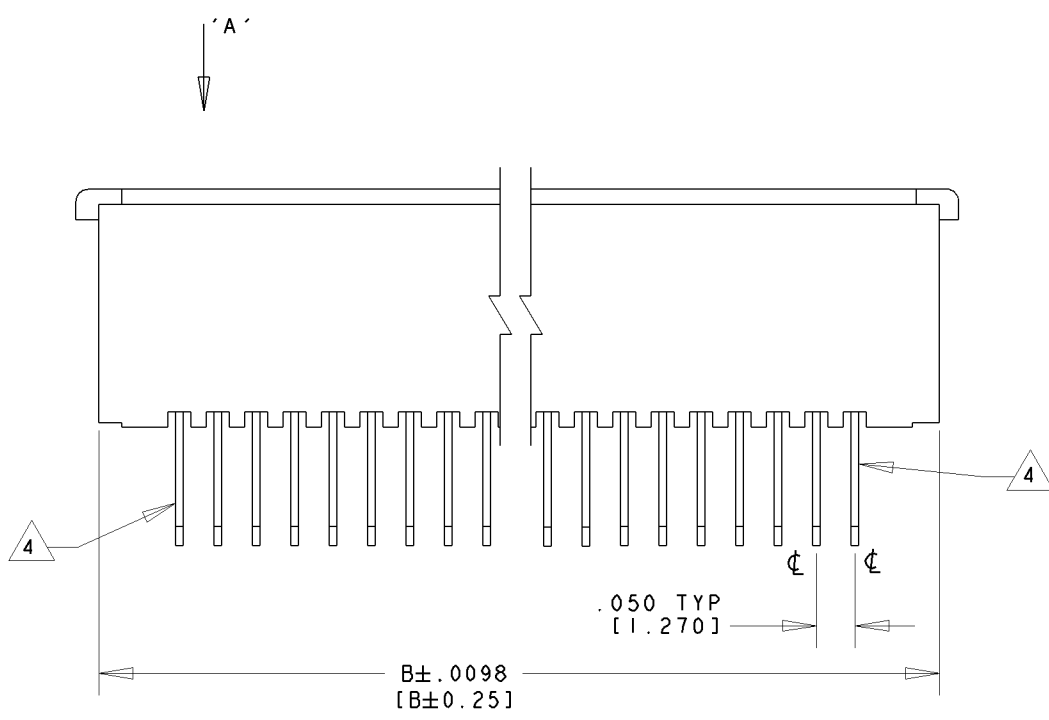
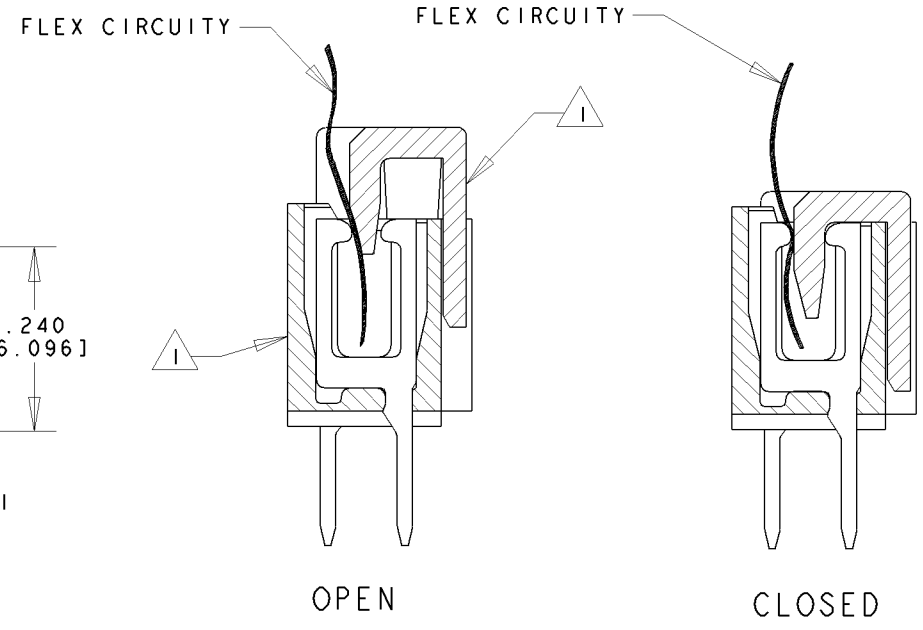
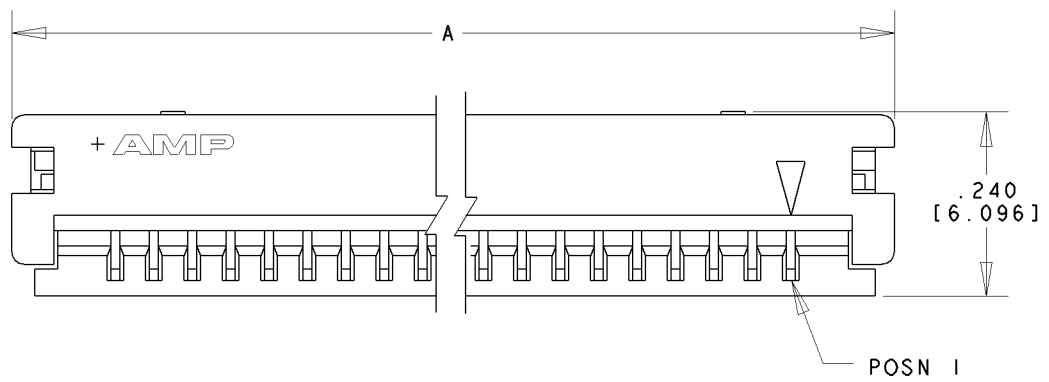


THIS DRAWING IS UNPUBLISHED. RELEASED FOR PUBLICATION .19
 © COPYRIGHT 19 BY - ALL RIGHTS RESERVED.

LOC	DIST	REVISIONS				
P	LTR	DESCRIPTION	DATE	DWN	APVD	
	N3	REVISED PER ECO-11-005139	19MAR11	RK	HMR	



VIEW 'A'
FOR PN 5-487576-0 & -1 ONLY



1 & 17	1.010 [25.654]	1.070 [27.178]	17	5-487576-9
1 & 11	.710 [18.034]	.770 [19.558]	11	5-487576-3
	.460 [11.684]	.520 [13.208]		5-487576-1
	.410 [10.414]	.470 [11.938]		5-487576-0
	.560 [14.224]	.620 [15.748]	6	4-487576-9
	.510 [12.954]	.570 [14.478]	5	4-487576-8
	2.910 [73.914]	2.970 [75.438]	55	4-487576-7
	2.860 [72.644]	2.920 [74.168]	54	4-487576-6
	2.810 [71.374]	2.870 [72.898]	53	4-487576-5
	2.760 [70.104]	2.820 [71.628]	52	4-487576-4
	2.710 [68.834]	2.770 [70.358]	51	4-487576-3
	2.660 [67.564]	2.720 [69.088]	50	4-487576-2
	2.610 [66.294]	2.670 [67.818]	49	4-487576-1
	2.560 [65.024]	2.620 [66.548]	48	4-487576-0
	2.510 [63.754]	2.570 [65.278]	47	3-487576-9
	2.460 [62.484]	2.520 [64.008]	46	3-487576-8
	2.410 [61.214]	2.470 [62.738]	45	3-487576-7
	2.360 [59.944]	2.420 [61.468]	44	3-487576-6
	2.310 [58.674]	2.370 [60.198]	43	3-487576-5
	2.260 [57.404]	2.320 [58.928]	42	3-487576-4
	2.210 [56.134]	2.270 [57.658]	41	3-487576-3
	2.160 [54.864]	2.220 [56.388]	40	3-487576-2
	2.110 [53.594]	2.170 [55.118]	39	3-487576-1
	2.060 [52.324]	2.120 [53.848]	38	3-487576-0
	2.010 [51.054]	2.070 [52.578]	37	2-487576-9
	1.960 [49.784]	2.020 [51.308]	36	2-487576-8
	1.910 [48.514]	1.970 [50.038]	35	2-487576-7
	1.860 [47.244]	1.920 [48.768]	34	2-487576-6
	1.810 [45.974]	1.870 [47.498]	33	2-487576-5
	1.760 [44.704]	1.820 [46.228]	32	2-487576-4
	1.710 [43.434]	1.770 [44.958]	31	2-487576-3
	1.660 [42.164]	1.720 [43.688]	30	2-487576-2
	1.610 [40.894]	1.670 [42.418]	29	2-487576-1
	1.560 [39.624]	1.620 [41.148]	28	2-487576-0
	1.510 [38.354]	1.570 [39.878]	27	1-487576-9
	1.460 [37.084]	1.520 [38.608]	26	1-487576-8
	1.410 [35.814]	1.470 [37.338]	25	1-487576-7
	1.360 [34.544]	1.420 [36.068]	24	1-487576-6
	1.310 [33.274]	1.370 [34.798]	23	1-487576-5
	1.260 [32.004]	1.320 [33.528]	22	1-487576-4
	1.210 [30.734]	1.270 [32.258]	21	1-487576-3
	1.160 [29.464]	1.220 [30.988]	20	1-487576-2
	1.110 [28.194]	1.170 [29.718]	19	1-487576-1
	1.060 [26.924]	1.120 [28.448]	18	1-487576-0
	1.010 [25.654]	1.070 [27.178]	17	487576-9
	.960 [24.384]	1.020 [25.908]	16	487576-8
	.910 [23.114]	.970 [24.638]	15	487576-7
	.860 [21.844]	.920 [23.368]	14	487576-6
	.810 [20.574]	.870 [22.098]	13	487576-5
	.760 [19.304]	.820 [20.828]	12	487576-4
	.710 [18.034]	.770 [19.558]	11	487576-3
	.660 [16.764]	.720 [18.288]	10	487576-2
	.610 [15.494]	.670 [17.018]		487576-1

- 1 FLAME RETARDANT THERMOPLASTIC; COLOR-BLACK
- 2 FINISH: .000150[0.00381mm] MIN THK TIN OVER .000050[0.00127mm] MIN THK NICKEL ON ENTIRE CONTACT.
- 3. CONNECTOR SUPPLIED IN CLOSED CONDITION.
- 4 #NO. OF CONTACTS NOT TO BE LOADED.
- 5. PRODUCT SPEC: 108-16025
- 6. APPLICATION SPEC: 114-16009
- 7. PACKAGING SPEC: 107-51005

DIMENSIONS: INCHES [mm]		TOLERANCES UNLESS OTHERWISE SPECIFIED:	
		0 PLC ±"	1 PLC ±"
		2 PLC ±"	3 PLC ±.005 [0.127]
		4 PLC ±"	ANGLES ±"
MATERIAL HOUSING & STUFFER: 1 CONTACTS: PHOS BRONZE 2		FINISH	

#NO	B	A	NO OF POSN	PART NUMBER
4				

DWN SCOTT A. SHUEY 12SEP88
 CHK J. ENGLISH 27SEP88
 APVD SF LEONG
 PRODUCT SPEC -
 APPLICATION SPEC -
 WEIGHT -
 CUSTOMER DRAWING

STE TE Connectivity
 NAME CONNECTOR ASSEMBLY, ZIF-LINE 50
 SIZE A3 CAGE CODE 00779 DRAWING NO C-487576
 SCALE 4:1 SHEET 1 OF 1 REV N3

X-ON Electronics

Largest Supplier of Electrical and Electronic Components

Click to view similar products for [FFC & FPC Connectors](#) category:

Click to view products by [TE Connectivity](#) manufacturer:

Other Similar products are found below :

[FPH-1422G](#) [FPH-1602G](#) [K-FC20](#) [FH29B-80S-0.2SHW\(99\)](#) [FPH-2022G](#) [AYF332735](#) [52610-1075](#) [52610-1275](#) [52610-1934](#) [501864-3091-TR225](#) [086222026001800](#) [52610-0675](#) [62684-36210E9ALF](#) [52746-1671-TR250](#) [10051922-2810EHLF](#) [6-520415-9](#) [SFV6R-1STE9HLF](#) [XF3M-2915-1B-R100](#) [1658549-1](#) [AYF534065TA](#) [AYF351525](#) [086212040340800+](#) [AYF530365TA](#) [67000-014LF](#) [67000-004LF](#) [006207341915000+](#) [DS1020-19RT1D](#) [67000-003LF](#) [67000-011LF](#) [67000-016LF](#) [HFW14R-2STE9LF](#) [SFV32R-2STBE9HLF](#) [SFW12R-5STE9LF](#) [SFW18R-1STAE9LF](#) [SFW4R-5STE9LF](#) [52807-0430](#) [046283021002868+](#) [THD1015-8CL-SN](#) [67000-006LF](#) [502250-8027](#) [104267-9617](#) [66987-011LF](#) [AYF362535](#) [F0501-T-50-20T-R](#) [F1003-ZV-12-25T-R](#) [HFW8S-2STAE1HLF](#) [67000-008LF](#) [67000-012LF](#) [ECC576069EU](#) [F1002-B-20-20T-R](#)